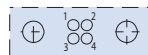


SERIES 171  
**AlphaLink® SL connector**  
**flex jumper assembly**

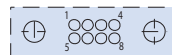
CB02-0250

How To Order AlphaLink flex jumpers						
Sample Part Number	CB02-250	-2	-20	T	-6.00	X
Series / Basic Part No.	AlphaLink® flex jumper					
Connector Finish	2 = Nickel 5 = Gold					
Number of Nets / Pins	See Available PCB Layouts below					
Hardware	T = Threaded thru hole Omit for thru hole					
Assembly Length	in Inches					
Connector Configuration	X = same side Y = opposite sides					

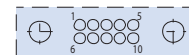
**AlphaLink Available PCB Layouts**  
 (view from top of board)



4 Contacts



8 Contacts



10 Contacts



16 Contacts



20 Contacts



28 Contacts



32 Contacts



40 Contacts

**MATERIALS AND FINISHES**

Shell: Aluminum alloy  
 Insulators: Liquid crystal polymer  
 Interfacial seal: Fluorosilicone  
 Contacts: Copper Alloy/Gold Plated  
 Potting: Epoxy  
 Hardware: 300 series stainless steel

**NOTES**

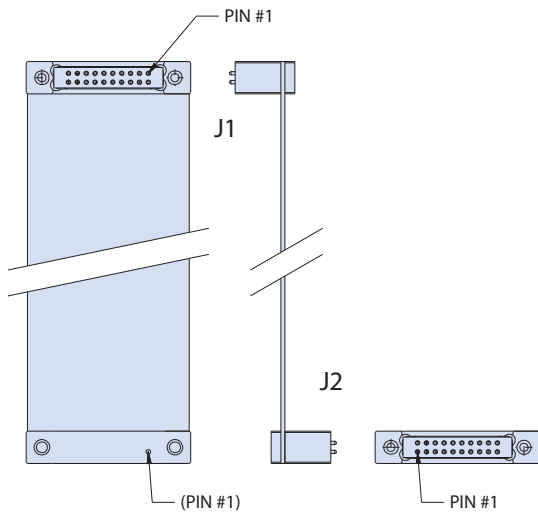
Flex Performance:  
 Flex fabricated IAW IPC-6013, Class 2  
 Flex cable nets are connected from J1 to J2 on a 1-to-1 connection  
 Typical flex will be .01 ± .005 thick, rugged, potted, polyimide-based flex.  
 Bend radius is 6 to 10 times the flex thickness.  
 Workmanship / soldering IAW J-STD-001  
 Consult factory for more options and/or special designs and requirements

# SERIES 171 AlphaLink® SL connector flex jumper assembly

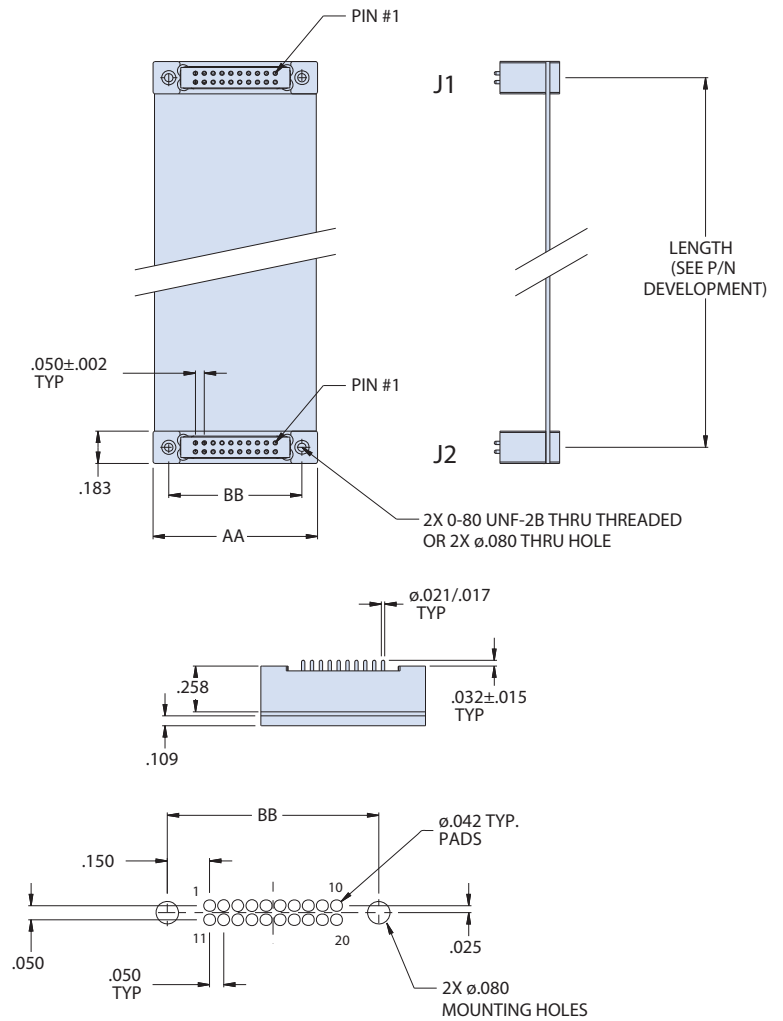


## CB02-0250

### "Y" CONNECTOR CONFIGURATION



### "X" CONNECTOR CONFIGURATION



### RECOMMENDED PCB LAYOUT

(MATES TO SLC SIDE OF CONNECTOR)  
(SEE TABLE II)

Table II: Layout and Dimensions

No. of contacts	AA	BB
4	0.527 (13.4)	0.350 (8.9)
8	0.627 (15.9)	0.450 (11.4)
10	0.677 (17.2)	0.500 (12.7)
16	0.827 (21.0)	0.650 (16.5)
20	0.927 (23.5)	0.750 (19.1)
28	1.127 (28.6)	0.950 (24.1)
32	1.227 (31.2)	1.100 (27.9)
40	1.427 (36.2)	1.250 (31.8)