

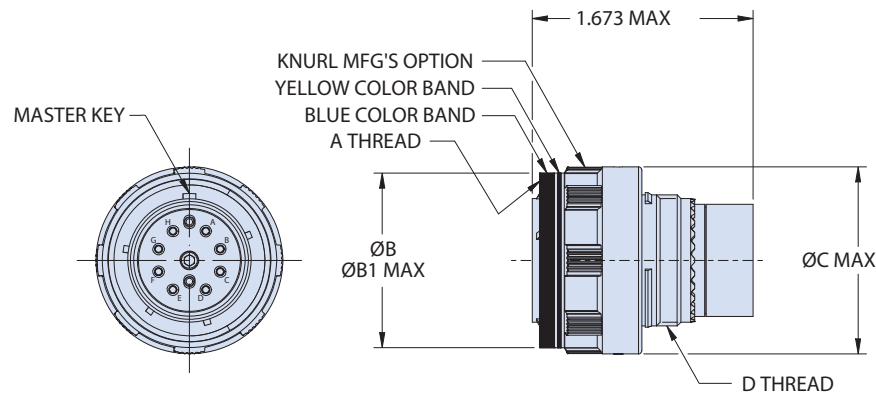
# ARINC 801 Type 1 Fiber Optic Connectors and Termini



MIL-DTL-38999 SERIES III TYPE

## 180-159 Plug

### PLUG (06)



Shell Code	Shell Size	A Thread	Ø B		Ø B1 Max*		Ø C Max		D Thread
			In.	mm.	In.	mm.	In.	mm.	
B	11	.7500-.1P-.3L-TS-2B	0.839 0.831	21.3 21.1	0.929	23.6	0.984	25.0	M15 X 1.0-6g 0.100R
C	13	.8750-.1P-.3L-TS-2B	1.008 1.000	25.6 25.4	1.110	28.2	1.157	29.4	M18 X 1.0-6g 0.100R
D	15	1.0000-.1P-.3L-TS-2B	1.138 1.130	28.9 28.7	1.232	31.3	1.280	32.5	M22 X 1.0-6g 0.100R
E	17	1.1875-.1P-.3L-TS-2B	1.276 1.268	32.4 32.2	1.358	34.5	1.406	35.7	M25 X 1.0-6g 0.100R
F	19	1.2500-.1P-.3L-TS-2B	1.382 1.374	35.1 34.9	1.469	37.3	1.516	38.5	M28 X 1.0-6g 0.100R
G	21	1.3750-.1P-.3L-TS-2B	1.508 1.500	38.3 38.1	1.594	40.5	1.642	41.7	M31 X 1.0-6g 0.100R
H	23	1.5000-.1P-.3L-TS-2B	1.626 1.618	41.3 41.1	1.720	43.7	1.768	44.9	M34 X 1.0-6g 0.100R
J	25	1.6250-.1P-.3L-TS-2B	1.752 1.744	44.5 44.3	1.843	46.8	1.890	48.0	M37 X 1.0-6g 0.100R

\* Ø B1 dimensions apply to composite connectors only

### NOTES

Insert arrangement IAW ARINC 801

Yellow color band indicates fiber optic connector type, Blue band indicates rear-release retention system. Location of blue and yellow bands manufacturer's option.

Ø B and Ø B1 Max Dimension applies before paint stripe.

Alignment Sleeve Retainer (ASR) is supplied with plug connector only.