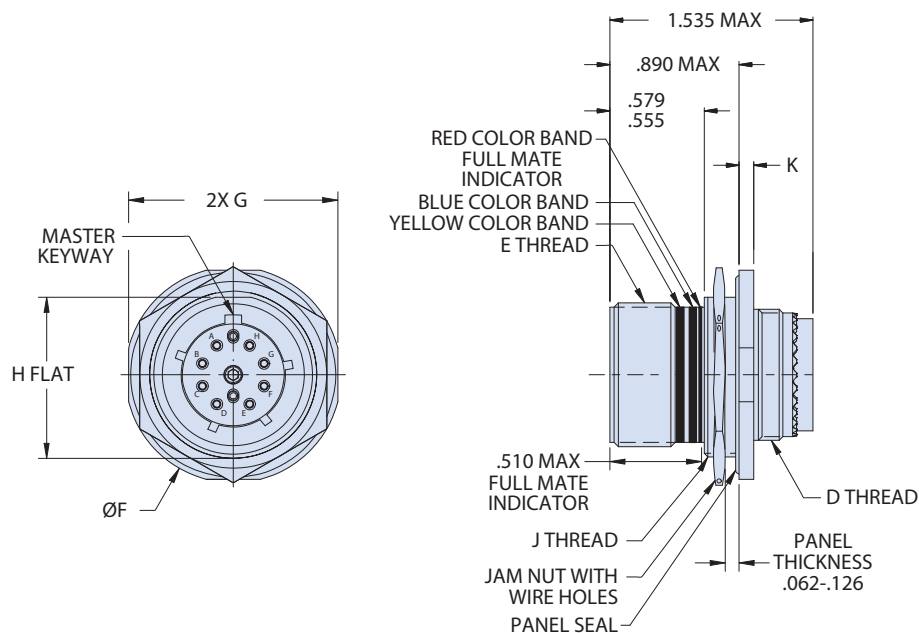


ARINC 801 Type 1 Fiber Optic Connectors and Termini

MIL-DTL-38999 SERIES III TYPE

180-159 Receptacles

JAM NUT MOUNT RECEPTACLE (08)



Jam Nut Panel Cut-Out					
Shell Code	Shell Size	Ø FF		GG Flat	
		In.	mm.	In.	mm.
B	11	0.835	21.2	0.771	19.6
		0.825	21.0	0.761	19.3
C	13	1.020	25.9	0.955	24.3
		1.010	25.7	0.945	24.0
D	15	1.145	29.1	1.085	27.6
		1.135	28.8	1.075	27.3
E	17	1.270	32.3	1.210	30.7
		1.260	32.0	1.200	30.5
F	19	1.395	35.4	1.335	33.9
		1.385	35.2	1.325	33.7
G	21	1.520	38.6	1.460	37.1
		1.510	38.4	1.450	36.8
H	23	1.645	41.8	1.585	40.3
		1.635	41.5	1.575	40.0
J	25	1.770	45.0	1.710	43.4
		1.760	44.7	1.700	43.2

Shell Code	Shell Size	E Thread	Ø F		G		H		J Thread	D Thread	K	
			In.	mm.	In.	mm.	In.	mm.			In.	mm.
B	11	.7500-.1P-.3L-TS-2A	1.386	35.2	1.268	32.2	.755	19.2	M20 X 1.0-6g 0.100R	M15 X 1.0-6g 0.100R	.121 .083	3.1 2.1
			1.362	34.6	1.236	31.4	.745	18.9				
C	13	.8750-.1P-.3L-TS-2A	1.512	38.4	1.390	35.3	.942	23.9	M25 X 1.0-6g 0.100R	M18 X 1.0-6g 0.100R		
			1.488	37.8	1.358	34.5	.932	23.7				
D	15	1.0000-.1P-.3L-TS-2A	1.638	41.6	1.516	38.5	1.066	27.1	M28 X 1.0-6g 0.100R	M22 X 1.0-6g 0.100R		
			1.614	41.0	1.484	37.7	1.056	26.8				
E	17	1.1875-.1P-.3L-TS-2A	1.764	44.8	1.642	41.7	1.191	30.3	M32 X 1.0-6g 0.100R*	M25 X 1.0-6g 0.100R		
			1.740	44.2	1.610	40.9	1.181	30.0				
F	19	1.2500-.1P-.3L-TS-2A	1.949	49.5	1.827	46.4	1.316	33.4	M35 X 1.0-6g 0.100R	M28 X 1.0-6g 0.100R		
			1.925	48.9	1.795	45.6	1.306	33.2				
G	21	1.3750-.1P-.3L-TS-2A	2.075	52.7	1.953	49.6	1.441	36.6	M38 X 1.0-6g 0.100R	M31 X 1.0-6g 0.100R	.154 .114	3.9 2.9
			2.051	52.1	1.921	48.8	1.431	36.3				
H	23	1.5000-.1P-.3L-TS-2A	2.201	55.9	2.079	52.8	1.566	39.8	M41 X 1.0-6g 0.100R	M34 X 1.0-6g 0.100R		
			2.177	55.3	2.047	52.0	1.556	39.5				
J	25	1.6250-.1P-.3L-TS-2A	2.323	59.0	2.205	56.0	1.691	43.0	M44 X 1.0-6g 0.100R	M37 X 1.0-6g 0.100R		
			2.299	58.4	2.173	55.2	1.681	42.7				

* Modified major diameter 1.252 - 1.257

NOTES

1. Jam nut for composite receptacle connector is Al Alloy and plated same as connector shell.
2. Insert arrangement IAW ARINC 801
3. Yellow color band indicates fiber optic connector type, Blue band indicates rear-release retention system. Location of blue and yellow bands manufacturer's option.

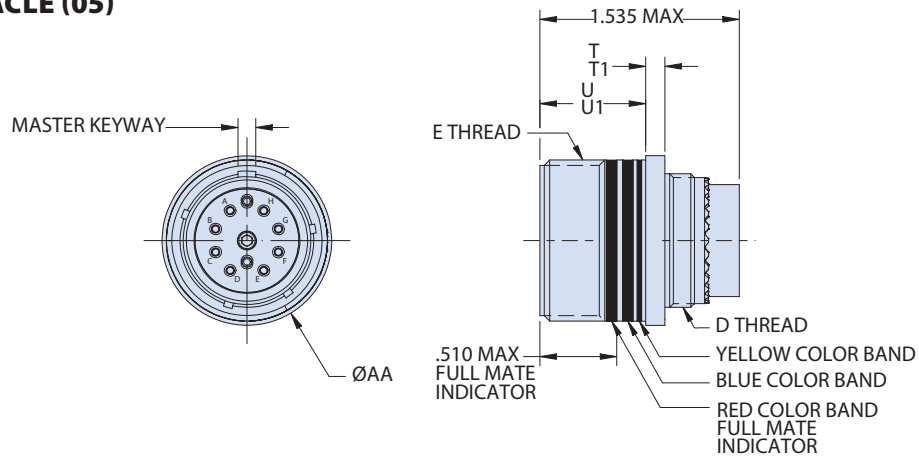
ARINC 801 Type 1 Fiber Optic Connectors and Termini



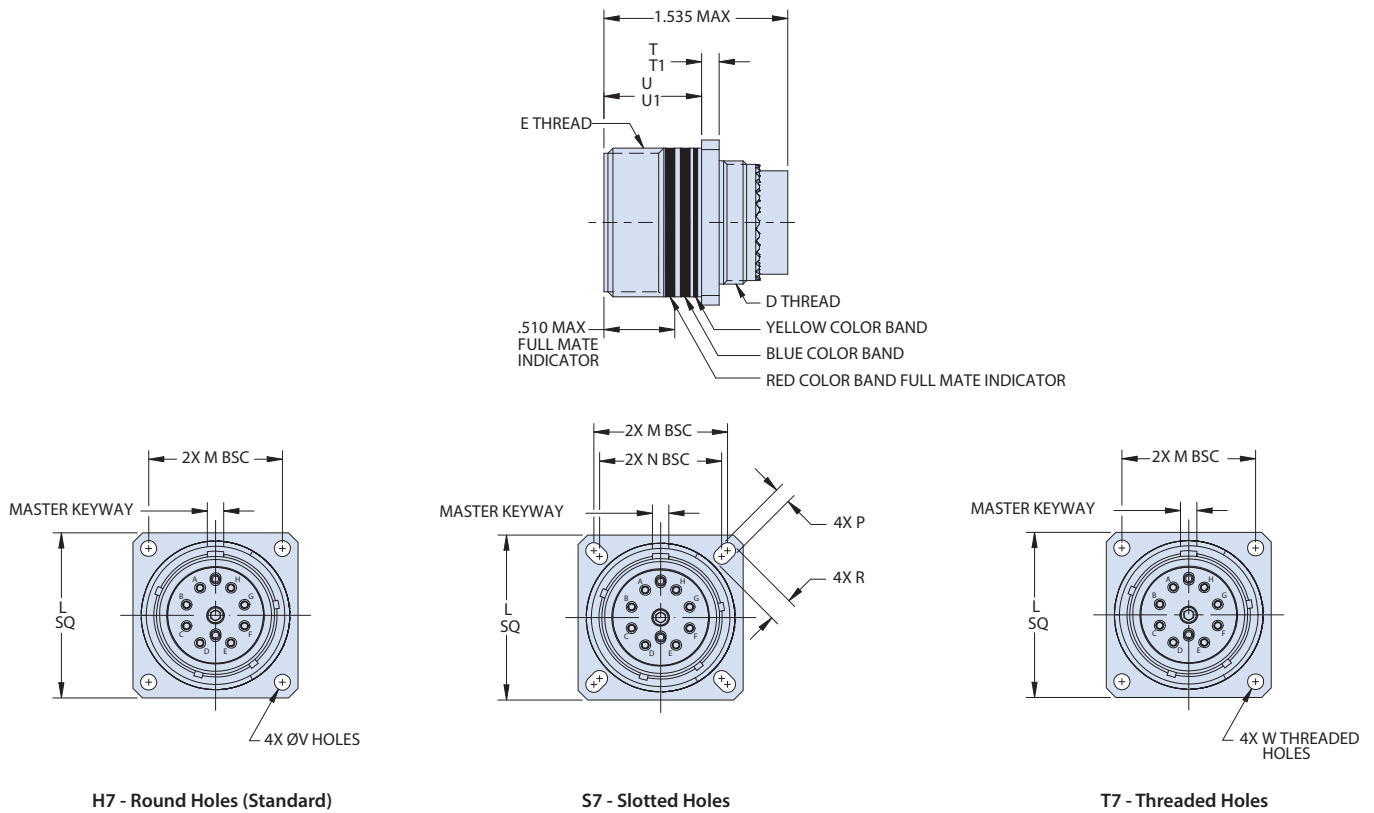
MIL-DTL-38999 SERIES III TYPE

180-159 Receptacles

IN-LINE RECEPTACLE (05)



WALL MOUNT RECEPTACLES (H7, S7, AND T7)



H7 - Round Holes (Standard)

S7 - Slotted Holes

T7 - Threaded Holes

NOTES

1. Yellow color band indicates fiber optic connector type, Blue band indicates rear-release retention system. Location of blue and yellow bands manufacturer's option.
2. S7 wall mount receptacle can be front panel mounted using cut out dimension EE1 or EE2 in Table V, page 8. Dimension EE2 is for use with S7 wall mount receptacle only
3. Insert arrangement IAW ARINC 801

ARINC 801 Type 1 Fiber Optic Connectors and Termini

MIL-DTL-38999 SERIES III TYPE



180-159 Receptacles

Shell Code	Shell Size	A Thread	L Sq		M Bsc		T		U		D Thread	Ø V Holes		Ø AA			
			In.	mm.	In.	mm.	In.	mm.	In.	mm.		In.	mm.	In.	mm.		
B	11	.7500-.1P-.3L-TS-2A	1.043 1.019	26.5 25.9	.812	20.6					M15 X 1.0-6g 0.100R			.840	21.3		
C	13	.8750-.1P-.3L-TS-2A	1.138 1.114	28.9 28.3	.906	23.0					M18 X 1.0-6g 0.100R			.963	24.5		
D	15	1.0000-.1P-.3L-TS-2A	1.232 1.208	31.3 30.7	.969	24.6					M22 X 1.0-6g 0.100R	.136 .120	3.5 3.0	1.090	27.7		
E	17	1.1875-.1P-.3L-TS-2A	1.323 1.299	33.6 33.0	1.062	27.0	.098 .083	2.5 2.1	.820 .771	20.8 19.6	M25 X 1.0-6g 0.100R			1.275	32.4		
F	19	1.2500-.1P-.3L-TS-2A	1.449 1.425	36.8 36.2	1.156	29.4					M28 X 1.0-6g 0.100R			1.337	34.0		
G	21	1.3750-.1P-.3L-TS-2A	1.575 1.551	40.0 39.4	1.250	31.8					M31 X 1.0-6g 0.100R			1.463	37.2		
H	23	1.5000-.1P-.3L-TS-2A	1.701 1.677	43.2 42.6	1.375	34.9					M34 X 1.0-6g 0.100R			.162 .146	4.1 3.7	1.587	40.3
J	25	1.6250-.1P-.3L-TS-2A	1.823 1.799	46.3 45.7	1.500	38.1	.126 .083	3.2 2.1	.790 .741	20.1 18.8	M37 X 1.0-6g 0.100R					1.713	43.5

Shell Code	Shell Size	T1		U1	
		In.	mm.	In.	mm.
B	11				
C	13				
D	15	.144	3.7	.823	20.9
E	17	.083	2.1	.768	19.5
F	19				
G	21				
H	23	.171	4.3	.791	20.1
J	25	.083	2.1	.736	18.7

Shell Code	Shell Size	N Bsc (front panel mount)		P		R			
		In.	mm.	In.	mm.	In.	mm.		
B	11	0.719	18.3			.202	5.1		
C	13	0.812	20.6			.186	4.7		
D	15	0.906	23.0	0.136 0.120	3.5 3.0	.181	4.6		
E	17	0.969	24.6			.165	4.2		
F	19	1.062	27.0			.202	5.1		
G	21	1.156	29.4			.186	4.7		
H	23	1.250	31.8			0.162	4.1	.250	6.4
J	25	1.375	34.9			0.146	3.7	.234	5.9

Shell Code	Shell Size	W
B	11	.112-40 UNC-2B
C	13	
D	15	
E	17	
F	19	
G	21	
H	23	
J	25	

Shell Code	Shell Size	Ø BB Min		Ø CC Min		Ø DD Holes		EE1 Bsc		EE2 Bsc			
		In.	mm.	In.	mm.	In.	mm.	In.	mm.	In.	mm.		
B	11	.796	20.2	.625	15.9			.812	20.6	.719	18.3		
C	13	.922	23.4	.750	19.1			.906	23.0	.812	20.6		
D	15	1.047	26.6	.906	23.0	.133 .123	3.4 3.1	.969	24.6	.906	23.0		
E	17	1.219	31.0	1.016	25.8			1.062	27.0	.969	24.6		
F	19	1.297	32.9	1.141	29.0			1.156	29.4	1.062	27.0		
G	21	1.422	36.1	1.266	32.2			1.250	31.8	1.156	29.4		
H	23	1.547	39.3	1.375	34.9			.159 .149	4.0 3.8	1.375	34.9	1.250	31.8
J	25	1.672	42.5	1.484	37.7			.155 .145	3.9 3.7	1.500	38.1	1.375	34.9