

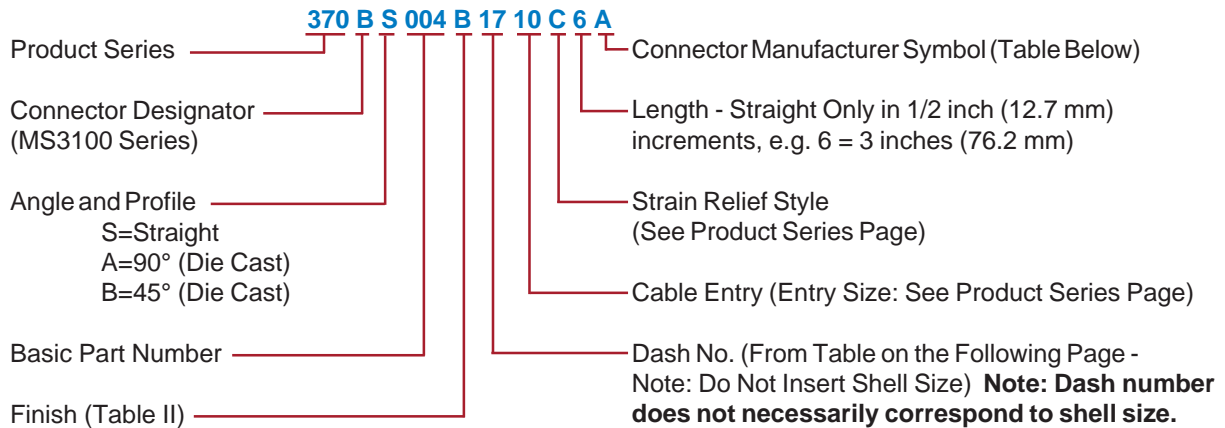


## Connector Designator "B" Ordering Information MIL-DTL-5015 Connector Fittings (MS3100 Series)

### How to Order Backshells for Mil-DTL-5015 (MS3100 Series) Connectors

The threads and interface dimensions on MIL-DTL-5015 solder-type connectors are unfortunately not standardized from one manufacturer to the next. As a result, there is limited interchangeability in many shell sizes and service classes amongst available MS3100 Series products. When ordering backshells for 5015 connectors it is therefore necessary to treat each connector manufacturer's product separately to ensure optimum compatibility of the backshell-to-connector interface. This is accomplished in two steps: (1) Use the connector designator "B" in the normal place in the part number to indicate to the factory that a MIL-DTL-5015 (MS3100 Series) connector is being used; and (2) Use an additional connector manufacturer symbol, as shown in the part number development example below, to indicate whose MIL-DTL-5015 product you are using. Connector manufacturer symbols for 5015 products are shown in the table below and pertinent connector fitting interface information is given on page 19.

Please Note: For proper use of Glenair backshells with MS3100 Series connectors, discard all rear hardware, including wire seal grommets, normally supplied with the connector. (This information does not apply to endbell extenders commonly supplied with MS3100A Series connectors.)



MIL-C-5015 CONNECTOR MANUFACTURER SYMBOLS			
SYMBOL	MANUFACTURER	CONNECTOR SERIES	CLASS
A	All	MS3100, 01, 06	A/E/F/R
H	Amphenol	MS3100, 01, 06 97 Series Blue Insert	A
J		MS3100, 01, 06	E/F/R
L	Amphenol/BCO	MS3100, 01, 06 10-214, 10-720 10-721, 10-726	A/E/F/R
M	Cannon	MS3100, 01, 06	A
N	Cannon	MS3100, 01, 063 CA00, 01, 06	E/F/R

# Interface Dimensions MIL-DTL-5015 Connector Fittings (MS3100 Series)



How to Order

MS 3100 SERIES MANUFACTURER DESIGNATIONS						
DASH NO.	SHELL SIZE	CONN. MFG DESIG.	SEE NOTE 1	A THREAD CLASS 2B	B DIA MAX	C DIA NOM
01	8S	A	1	7/16 - 28 UNEF	.656 (16.7)	.625 (15.9)
02	8S	J, M, N,	2	7/16 - 28 UNEF	.656 (16.7)	.625 (15.9)
03	8S	L	3	3/8 - 32 UNEF	.607 (15.4)	.562 (14.3)
04	8S	H	3	7/16 - 27 UNS	.656 (16.7)	.625 (15.9)
05	10S	A	1	1/2 - 28 UNEF	.724 (18.4)	.687 (17.4)
06	10S	H, J, L, N	2	1/2 - 28 UNEF	.724 (18.4)	.687 (17.4)
07	10S	M	3	9/16 - 24 UNEF	.724 (18.4)	.687 (17.4)
08	10SL	A	1	9/16 - 24 UNEF	.724 (18.4)	.687 (17.4)
09	10SL	M, N	2	9/16 - 24 UNEF	.724 (18.4)	.687 (17.4)
10	10SL	H, J, L	3	5/8 - 24 UNEF	.848 (21.5)	.812 (20.6)
11	12, 12S	A	1	5/8 - 24 UNEF	.848 (21.5)	.812 (20.6)
12	12, 12S	L, N	2	5/8 - 24 UNEF	.848 (21.5)	.812 (20.6)
13	12, 12S	H, J, M	3	11/16 - 24 UNEF	.848 (21.5)	.812 (20.6)
14	12SL, 14, 14S	A	2	3/4 - 20 UNEF	.974 (24.7)	.937 (23.8)
15	16, 16S	A	2	7/8 - 20 UNEF	1.102 (28.0)	1.062 (27.0)
16	18	A	2	1 - 20 UNEF	1.220 (31.0)	1.187 (30.1)
17	20	A	1	1 1/8 - 18 UNEF	1.343 (34.1)	1.312 (33.3)
18	20	H,L,M,N	2	1 1/8 - 18 UNEF	1.343 (34.1)	1.312 (33.3)
19	20	J	3	1 1/8 - 24 UNS	1.343 (34.1)	1.312 (33.3)
20	22	A	2	1 1/4 - 18 UNEF	1.468 (37.3)	1.437 (36.5)
21	24	A	2	1 3/8 - 18 UNEF	1.593 (40.5)	1.562 (39.7)
22	28	A	2	1 5/8 - 18 UNEF	1.843 (46.8)	1.812 (46.0)
23	32	A	1	1 7/8 - 16 UN	2.125 (54.0)	2.062 (52.4)
24	32	L, M, N	2	1 7/8 - 16 UN	2.125 (54.0)	2.062 (52.4)
25	32	H, J	3	1 29/32 - 18 UNS	2.125 (54.0)	2.062 (52.4)
26	36	A	1	2 1/8 - 16 UN	2.375 (60.3)	2.312 (58.7)
27	36	M, N	2	2 1/8 - 16 UN	2.375 (60.3)	2.312 (58.7)
28	36	L	3	2 1/16 - 16 UNS	2.375 (60.3)	2.312 (58.7)
29	36	J	3	2 1/16 - 20 UNEF	2.375 (60.3)	1.312 (33.3)
30	36	H	3	2 1/8 - 18 UNS	2.375 (60.3)	2.312 (58.7)
31	40	A	1	2 3/8 - 16 UN	2.625 (66.7)	2.562 (65.1)
32	40	H, M, N	2	2 3/8 - 16 UN	2.625 (66.7)	2.562 (65.1)
33	40	L	3	2 5/16 - 16 UNS	2.625 (66.7)	2.562 (65.1)
34	44	A	2	2 5/8 - 16 UN	2.906 (73.8)	2.875 (73.0)
35	48	A	1	2 7/8 - 16 UN	3.156 (80.2)	3.125 (79.4)
36	48	H	2	2 7/8 - 16 UN	3.156 (80.2)	3.125 (79.4)
37	48	N	3	2 13/16 - 18 UNS	3.156 (80.2)	3.125 (79.4)

1. If the specific manufacturer is not known, order symbol A and corresponding dash number, for MS universal fit.
2. Symbol A mates with all connectors for each shell size.
3. Additional transition adapters may be supplied with symbol A for each shell size, as noted.

