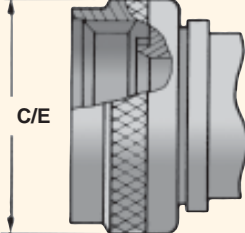
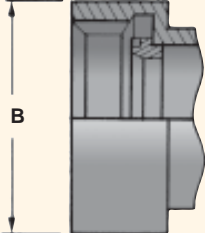
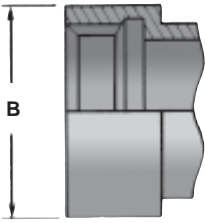
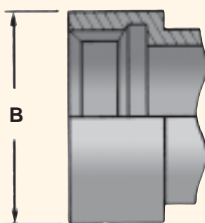
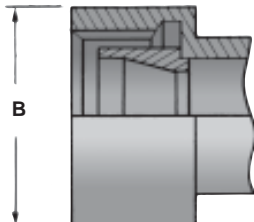


## Reference Information Backshell Interface Standards and Connector Designators



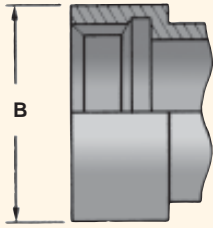
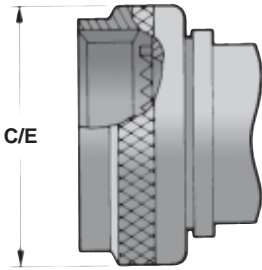
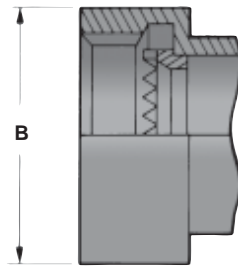
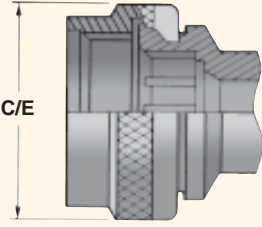
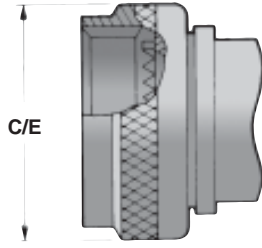
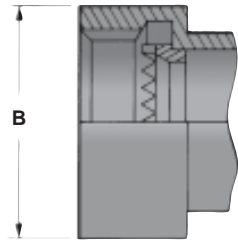
How  
to Order

The following illustrations depict the standard fitting or adapter interface for the connector noted. Specification design standards are indicated wherever applicable. Connector designators, used in accessory part number development are indicated in the left hand column. See pgs.18 and 19 for MIL-C-5015 (MS3100 Series) connectors.

CONNECTOR DESIGNATOR	CONNECTOR SPECIFICATION	SERIES	ROTATABLE COUPLING	DIRECT COUPLING
<b>A</b>	MIL-DTL-5015	MS3400		
	MIL-DTL-26482	2		
	MIL-C-81703	3		
	MIL-DTL-83723	I & III		
	40M39569			
	CECC 75201.001			
	DEF 5326-3			
	EN 2997			
	EN 3646			
	ESC 10			
	ESC 11			
	LN 29504			
	NFC 93422	HE302	AS85049 Figure 4 (MS3155)	
	PAN 6432-1			
	PAN 6432-2			
PATT 602				
<b>B</b>	MIL-DTL-5015	MS3100	SEE PAGES 18 & 19	
<b>C</b>	MIL-C-22992	MS173XX	CONSULTFACTORY	
<b>D</b>	MIL-DTL-26482	MS312X Series 1	CONSULTFACTORY	



Reference Information  
Backshell Interface Standards  
and Connector Designators

CONNECTOR DESIGNATOR	CONNECTOR SPECIFICATION	SERIES	ROTATABLE COUPLING	DIRECT COUPLING
<b>E</b>	MIL-DTL-26500	Aluminum (Class F, G & R)	CONSULT FACTORY	
<b>F</b>	MIL-DTL-38999 40M38277 NFC93422 NFC93422 PAN 6433-1 PATT 614 PATT 616  Caution: These connector interfaces are not suitable for total environmental sealing; for further information consult factory.	I & II  HE308 HE309		
			AS85049 FIGURE 2 MIL-DTL-38999 FIGURE 3	
<b>G</b>	MIL-C-28840			CONSULT FACTORY
			MIL-C-28840 FIGURE 7	
<b>H</b>	MIL-DTL-38999 EN3645 CECC 75201.002	III & IV		
			AS85049 FIGURE 3 MIL-DTL-38999 FIGURE 3	