

BacNav OFS backshell



For AS50151, MIL-DTL-26482 Sr. II, and MIL-DTL-83723 Sr. I & III connectors

How To Order										
Sample Part Number	390			A	084	NF	14	08	H	K
Series	Series 390 backshell									
Connector Designator	A = for AS50151, MIL-DTL-83723, MIL-DTL-26482 Series II									
Basic No.	084 = BacNav OFS									
Finish	NF = Cad/Olive Drab over Electroless Nickel MT = Nickel-PTFE ZR = Dull Black RoHS Zinc-Nickel									
Shell Size Code	Table I									
Cable Entry Code	Table III									
Optional Clamp	H = with cable clamp Omit for standard gland nut									
Optional Termination Device	K = precoiled band C = constant-force spring Omit if not required									

Table I - Shell Size Code								
Code	Shell Size	A Thread Class 2B	E Max	F Max	G Max	H Max	Max Entry	Max Weight (for standard material)
10	10S, 10SL	.625-24 UNEF	0.978 (24.8)	1.399 (35.5)	1.330 (33.8)	3.000 (76.2)	04	110g
12	12S, 12	.750-20 UNEF	1.100 (27.9)	1.534 (39.0)	1.518 (38.6)	3.188 (81.0)	06	150g
14	14, 14S	.875-20 UNEF	1.228 (31.2)	1.679 (42.6)	1.705 (43.3)	3.375 (85.7)	10	190g
16	16, 16S	1.000-20 UNEF	1.350 (34.3)	1.776 (45.1)	1.893 (48.1)	3.563 (90.5)	10	230g
18	18	1.0625-18 UNEF	1.480 (37.6)	1.908 (48.5)	2.080 (52.8)	3.813 (96.9)	12	270g
20	20	1.1875-18 UNEF	1.570 (39.9)	2.006 (51.0)	2.268 (57.6)	4.000 (101.6)	12	310g
22	22	1.3125-18 UNEF	1.665 (42.3)	2.105 (53.5)	2.393 (60.8)	4.188 (106.4)	16	350g
24	24	1.4375-18 UNEF	1.800 (45.7)	2.237 (56.8)	2.580 (65.5)	4.438 (112.7)	16	390g
28	28	1.750-18 UNS	2.145 (54.5)	2.474 (62.8)	3.018 (76.7)	4.938 (125.4)	24	470g
32	32	2.000-18 UNS	2.311 (58.7)	2.672 (67.9)	3.360 (85.3)	5.375 (136.5)	28	550g

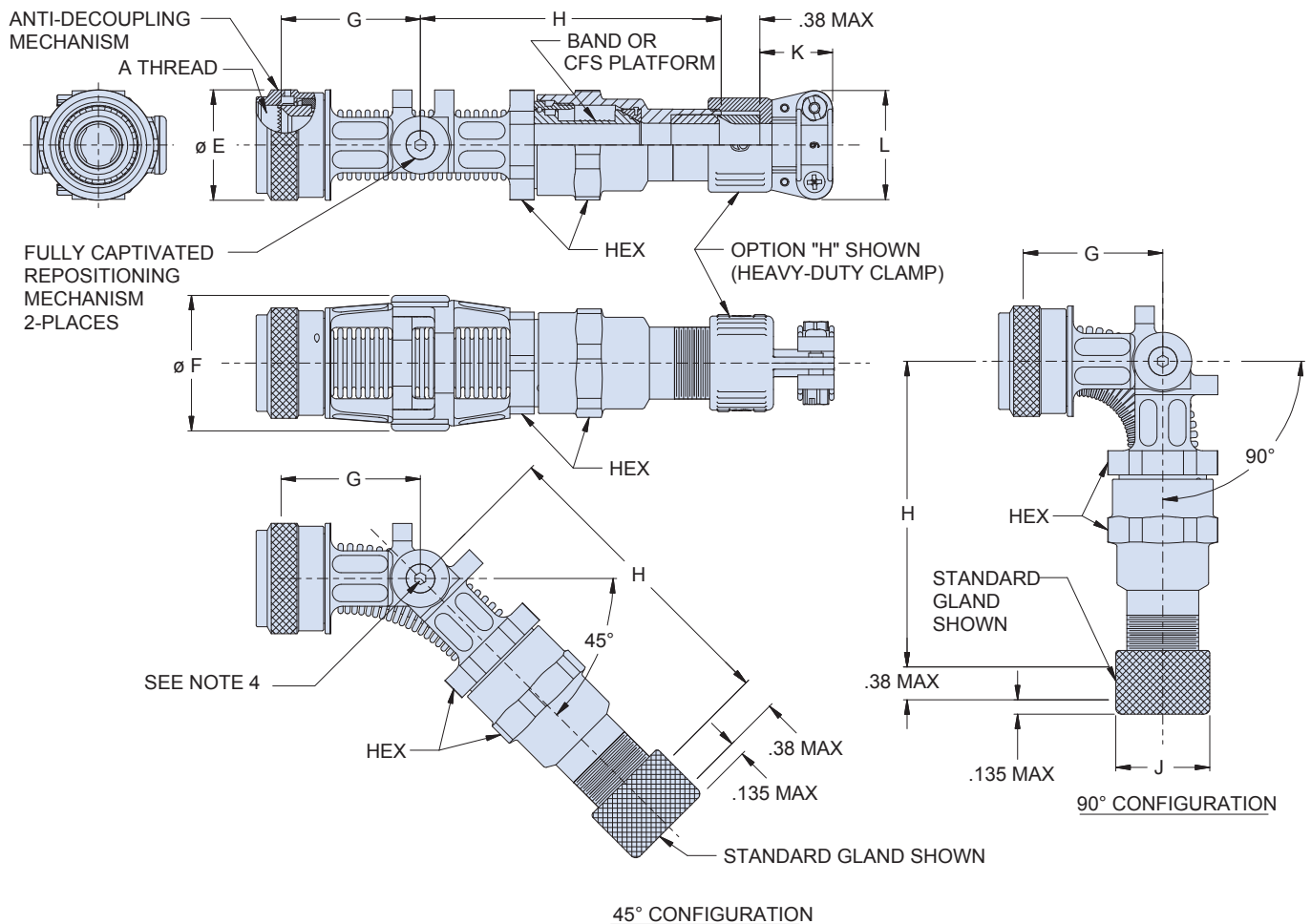
Table III - Cable Entry Code					
Code	Cable Range		J Max	K Max	L Max
	Min	Max			
03	0.156 (4.0)	0.219 (5.6)	0.630 (16.0)	N/A*	N/A*
04	0.188 (4.8)	0.312 (7.9)	0.755 (19.2)	0.780 (19.8)	0.952 (24.2)
06	0.281 (7.1)	0.438 (11.1)	0.942 (23.9)	0.780 (19.8)	1.145 (29.1)
08	0.312 (7.9)	0.531 (13.5)	1.067 (27.1)	0.780 (19.8)	1.332 (33.8)
10	0.375 (9.5)	0.625 (15.9)	1.192 (30.3)	0.780 (19.8)	1.332 (33.8)
12	0.500 (12.7)	0.750 (19.1)	1.380 (35.1)	0.811 (20.6)	1.551 (39.4)
16	0.625 (15.9)	0.938 (23.8)	1.535 (39.0)	0.905 (23.0)	1.770 (45.0)
20	0.938 (23.8)	1.250 (31.8)	1.848 (46.9)	1.092 (27.7)	2.113 (53.7)
24	1.000 (25.4)	1.375 (34.9)	2.255 (57.3)	1.124 (28.5)	2.363 (60.0)
28	1.250 (31.8)	1.625 (41.3)	2.505 (63.6)	1.399 (35.5)	2.770 (70.4)

* Size 03 not available with clamp

BacNav OFS backshell



For AS50151, MIL-DTL-26482 Sr. II, and MIL-DTL-83723 Sr. I & III connectors



NOTES

1. Backshells are identified with Glenair name and part number, space permitting.
2. For effective grounding, connector with conductive finish should be used.
3. Glenair Series 600 backshell assembly tools are recommended for assembly and installation. Refer to GAP-061 for assembly procedure.
4. Adjust angle using 7/64" hex wrench.
5. Materials
 - Core assembly: Type 316 Stainless Steel
 - Coupling nut, frame, EMI nut, gland, clamp nut, clamps and followers: Aluminum alloy
 - Anti-decoupling device: Corrosion-resistant material
 - Hardware: Passivated 316 Stainless Steel
 - Grommet, O-rings: Fluorosilicone/Silicone

BacNav OFS backshell



For MIL-DTL-28840 connectors
with Universal Connector Adapter options

How To Order										
Sample Part Number	390				G	084	NF	14	08	H K -761
Series	Series 390 backshell									
Connector Interface Code	G = for MIL-DTL-28840 and MIL-PRF-28876 connectors									
Basic No.	084 = BacNav OFS									
Finish	NF = Cad/Olive Drab over Electroless Nickel MT = Nickel-PTFE ZR = Dull Black RoHS Zinc-Nickel									
Shell Size Code	Table I									
Cable Entry Code	Table III									
Optional Clamp	H = with cable clamp Omit for standard gland nut									
Optional Termination Device	K = precoiled band C = constant-force spring Omit if not required									
Mod Code	Omit = standard for MIL-DTL-28840 connector -761 = convert to MIL-PRF-28876 connector -761A = convert to AS50151 connector -761U = include all adapters (-761, -761A and -761H for D38999 Sr. III & IV, and MIL-PRF-64266 connectors)									

Table I - Order Number								
Order Number	Shell Size	A Thread Class 2B	E Max	F Max	G Max	H Max	Max Entry	Max Weight (for standard material)
11	11 [A]	3/4-20 UNEF	1.058 (26.9)	1.399 (35.5)	1.000 (25.4)	3.000 (76.2)	04	110g
13	13 [B]	7/8-20 UNEF	1.180 (30.0)	1.534 (39.0)	1.188 (30.2)	3.188 (81.0)	06	150g
15	15 [C]	1-20 UNEF	1.308 (33.2)	1.679 (42.6)	1.375 (34.9)	3.375 (85.7)	10	190g
17	17 [D]	1 1/8-18 UNEF	1.430 (36.3)	1.776 (45.1)	1.563 (39.7)	3.563 (90.5)	10	230g
19	19 [E]	1 1/4-18 UNEF	1.560 (39.6)	1.908 (48.5)	1.750 (44.5)	3.813 (96.9)	12	270g
23	23 [F]	1 7/16-18 UNEF	1.745 (44.3)	2.105 (53.5)	2.062 (52.4)	4.188 (106.4)	12	350g
25	25 [G]	1 9/16-18 UNEF	1.880 (47.8)	2.237 (56.8)	2.250 (57.2)	4.438 (112.7)	16	390g
29	29 [H]	1 7/8-16 UN	2.225 (56.5)	2.474 (62.8)	2.688 (68.3)	4.938 (125.4)	16	470g
33	33 [J]	2 1/16-16 UNS	2.391 (60.7)	2.672 (67.9)	3.031 (77.0)	5.375 (136.5)	24	550g

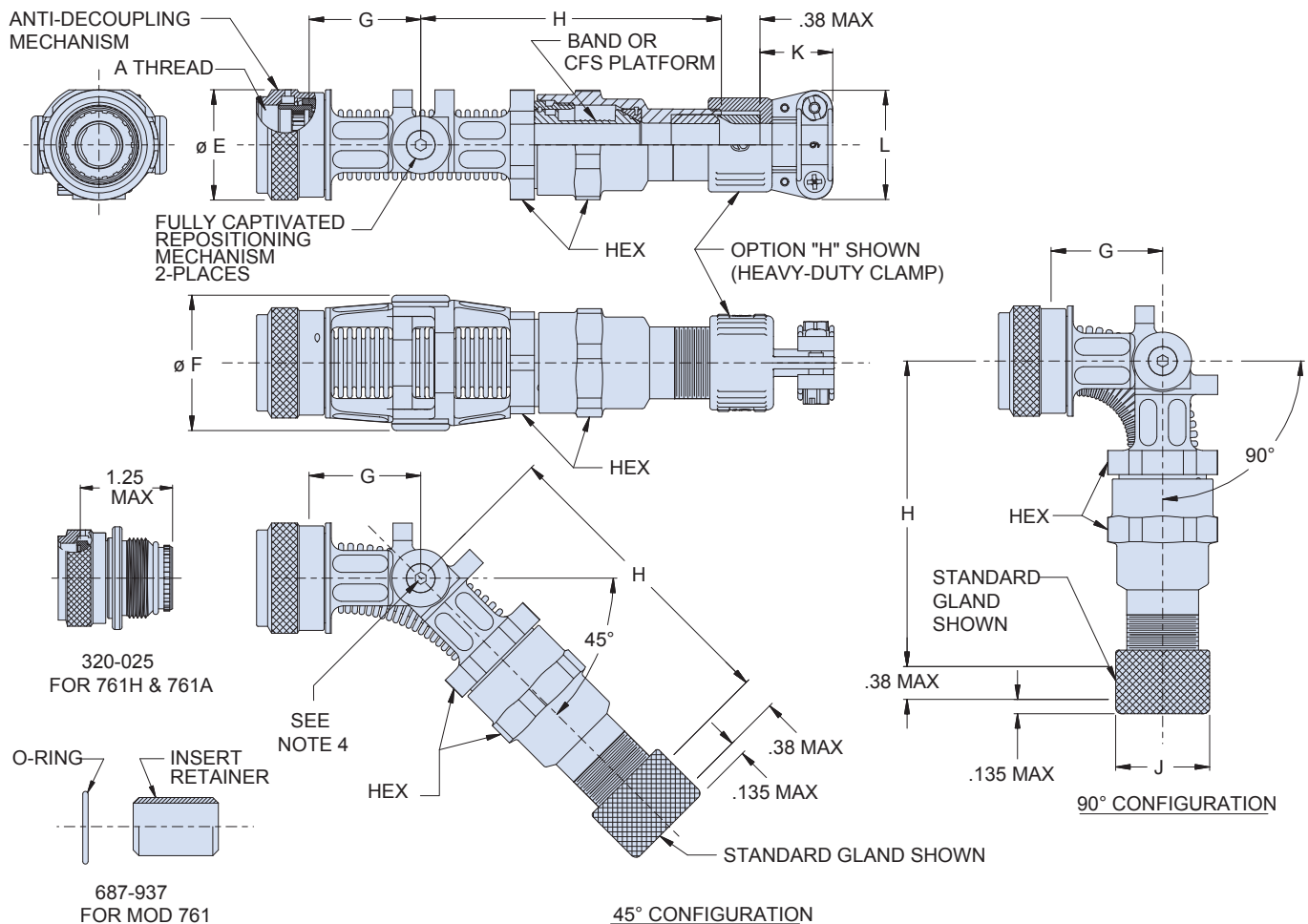
Table III - Dash No.					
Dash No.	Cable Range		J Max	K Max	L Max
	Min	Max			
03	0.156 (4.0)	0.219 (5.6)	0.630 (16.0)	N/A*	N/A*
04	0.188 (4.8)	0.312 (7.9)	0.755 (19.2)	0.780 (19.8)	0.952 (24.2)
06	0.281 (7.1)	0.438 (11.1)	0.942 (23.9)	0.780 (19.8)	1.145 (29.1)
08	0.312 (7.9)	0.531 (13.5)	1.067 (27.1)	0.780 (19.8)	1.332 (33.8)
10	0.375 (9.5)	0.625 (15.9)	1.192 (30.3)	0.780 (19.8)	1.332 (33.8)
12	0.500 (12.7)	0.750 (19.1)	1.380 (35.1)	0.811 (20.6)	1.551 (39.4)
16	0.625 (15.9)	0.938 (23.8)	1.535 (39.0)	0.905 (23.0)	1.770 (45.0)
20	0.938 (23.8)	1.250 (31.8)	1.848 (46.9)	1.092 (27.7)	2.113 (53.7)
24	1.000 (25.4)	1.375 (34.9)	2.255 (57.3)	1.124 (28.5)	2.363 (60.0)
28	1.250 (31.8)	1.625 (41.3)	2.505 (63.6)	1.399 (35.5)	2.770 (70.4)

* Size 03 not available with clamp

BacNav OFS backshell



For MIL-DTL-28840 connectors
with Universal Connector Adapter options



NOTES

1. Backshells are identified with Glenair name and part number, space permitting.
2. For effective grounding, connector with conductive finish should be used.
3. Glenair Series 600 backshell assembly tools are recommended for assembly and installation. Refer to GAP-061 for assembly procedure.
4. Adjust angle using 7/64" hex wrench.
5. Materials
 - Core assembly: Type 316 Stainless Steel
 - Coupling nut, frame, EMI nut, gland, clamp nut, clamps and followers: Aluminum alloy
 - Anti-decoupling device: Corrosion-resistant material
 - Hardware: Passivated 316 Stainless Steel
 - Grommet, O-rings: Fluorosilicone/Silicone

BacNav OFS backshell



For MIL-DTL-38999 Series III & IV
and MIL-PRF-64266 connectors

How To Order										
Sample Part Number	390			H	084	NF	14	08	H	K
Series	Series 390 backshell									
Connector Designator	H = for MIL-DTL-38999 Sr. III & IV or MIL-PRF-64266 connectors									
Basic No.	084 = BacNav OFS									
Finish	NF = Cad/Olive Drab over Electroless Nickel MT = Nickel-PTFE ZR = Dull Black RoHS Zinc-Nickel									
Shell Size Code	Table I									
Cable Entry Code	Table III									
Optional Clamp	H = with cable clamp Omit for standard gland nut									
Optional Termination Device	K = precoiled band C = constant-force spring Omit if not required									

Table I - Order Number									
Order Number	Shell Size MIL-DTL-38999	Shell Size MIL-PRF-64266	A Thread	E Max	F Max	G Max	H Max	Max Entry	Max Weight (for standard material)
9	A/09	-	M12 X 1-6H	.940 (23.9)	1.304 (33.1)	1.143 (29.0)	2.813 (71.5)	03	80g
11	B/11	B/11	M15 X 1-6H	1.060 (26.9)	1.429 (36.3)	1.330 (33.8)	3.000 (76.2)	04	110g
13	C/13	C/13	M18 X 1-6H	1.170 (29.7)	1.564 (39.7)	1.518 (38.6)	3.188 (81.0)	06	150g
15	D/15	D/15	M22 X 1-6H	1.290 (32.8)	1.709 (43.4)	1.705 (43.3)	3.375 (85.7)	10	190g
17	E/17	-	M25 X 1-6H	1.420 (36.1)	1.806 (45.9)	1.893 (48.1)	3.563 (90.5)	10	230g
19	F/19	-	M28 X 1-6H	1.540 (39.1)	1.938 (49.2)	2.080 (52.8)	3.813 (96.9)	12	270g
21	G/21	-	M31 X 1-6H	1.670 (42.4)	2.036 (51.7)	2.268 (57.6)	4.000 (101.6)	12	310g
23	H/23	H/23	M34 X 1-6H	2.010 (51.1)	2.135 (54.2)	2.393 (60.8)	4.188 (106.4)	16	350g
25	J/25	-	M37 X 1-6H	1.800 (45.7)	2.150 (54.6)	2.580 (65.5)	4.438 (112.7)	16	390g

Table III - Dash No.					
Dash No.	Cable Range		J Max	K Max	L Max
	Min	Max			
03	0.156 (4.0)	0.219 (5.6)	0.630 (16.0)	N/A*	N/A*
04	0.188 (4.8)	0.312 (7.9)	0.755 (19.2)	0.780 (19.8)	0.952 (24.2)
06	0.281 (7.1)	0.438 (11.1)	0.942 (23.9)	0.780 (19.8)	1.145 (29.1)
08	0.312 (7.9)	0.531 (13.5)	1.067 (27.1)	0.780 (19.8)	1.332 (33.8)
10	0.375 (9.5)	0.625 (15.9)	1.192 (30.3)	0.780 (19.8)	1.332 (33.8)
12	0.500 (12.7)	0.750 (19.1)	1.380 (35.1)	0.811 (20.6)	1.551 (39.4)
16	0.625 (15.9)	0.938 (23.8)	1.535 (39.0)	0.905 (23.0)	1.770 (45.0)
20	0.938 (23.8)	1.250 (31.8)	1.848 (46.9)	1.092 (27.7)	2.113 (53.7)
24	1.000 (25.4)	1.375 (34.9)	2.255 (57.3)	1.124 (28.5)	2.363 (60.0)
28	1.250 (31.8)	1.625 (41.3)	2.505 (63.6)	1.399 (35.5)	2.770 (70.4)

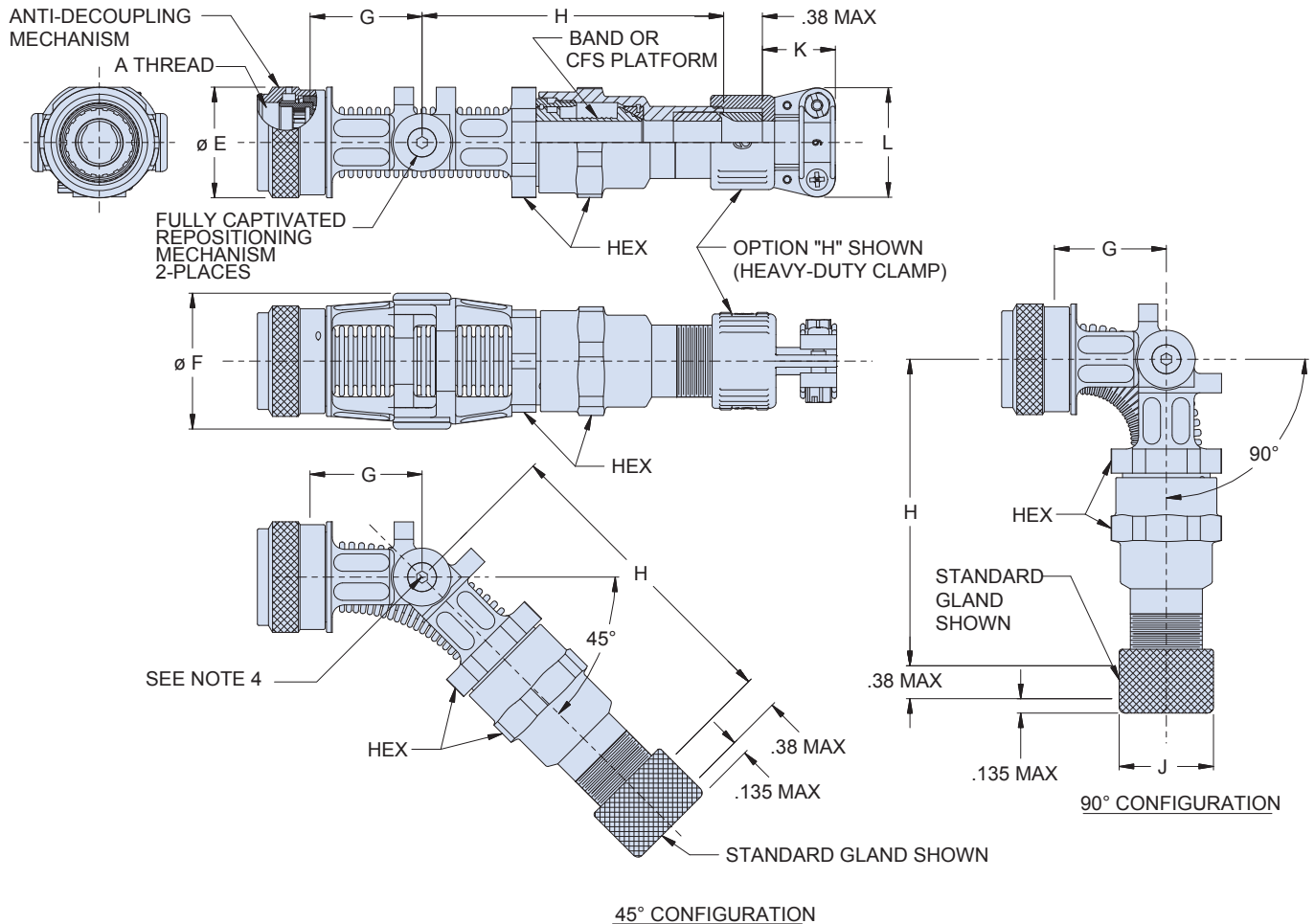
* Size 03 not available with clamp

SERIES 390

BacNav OFS backshell



For MIL-DTL-38999 Series III & IV
and MIL-PRF-64266 connectors



NOTES

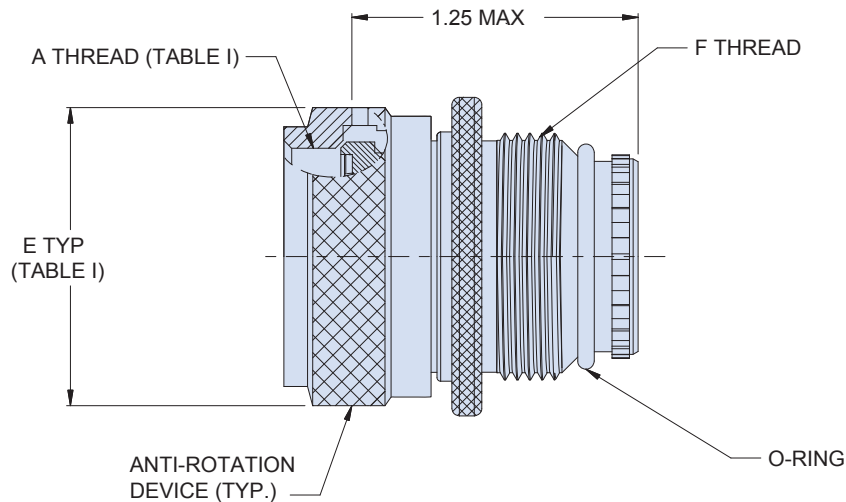
1. Backshells are identified with Glenair name and part number, space permitting.
2. For effective grounding, connector with conductive finish should be used.
3. Glenair Series 600 backshell assembly tools are recommended for assembly and installation. Refer to GAP-061 for assembly procedure.
4. Adjust angle using 7/64" hex wrench.
5. Materials
 - Core assembly: Type 316 Stainless Steel
 - Coupling nut, frame, EMI nut, gland, clamp nut, clamps and followers: Aluminum alloy
 - Anti-decoupling device: Corrosion-resistant material
 - Hardware: Passivated 316 Stainless Steel
 - Grommet, O-rings: Fluorosilicone/Silicone

BacNav OFS backshell conversion adapter



Converts 390G084 backshells for use with AS50151, MIL-DTL-38999 Sr. III & IV, or MIL-PRF-64266 connectors

How To Order						
Sample Part Number	320	H	025	NF	13	13
Series	BacNav OFS backshell connector adapter					
Connector Designator	A = for AS50151 or MS3400 connectors H = for MIL-DTL-38999 Sr. III & IV or MIL-PRF-64266 connectors					
Basic No.	025					
Finish	NF = Cad/Olive Drab over Electroless Nickel MT = Nickel-PTFE ZR = Dull Black RoHS Zinc-Nickel					
Shell Size Code	Table I					
Dash No.	Table II					



Dash No.	F Thread
11	3/4 - 20 UNEF
13	7/8 - 20 UNEF
15	1 - 20 UNEF
17	1 1/8 - 18 UNEF
19	1 1/4 - 18 UNEF
23	1 7/16 - 18 UNEF
25	1 9/16 - 18 UNEF
29	1 7/8 - 16 UNEF
33	2 1/16 - 16 UN

Connector Designator A			Connector Designator H			
Shell Size Code	A Thread Class 2B	E Dia. Max	Shell Size Code	Ref. D38999 Shell Size	A Thread Metric	E Dia. Max
08	1/2-20 UNF	.690 (17.5)	09	09	M12 X 1 - 6H	.940 (24.8)
10	5/8-24 UNEF	.820 (20.8)	11	11	M15 x 1 - 6H	1.060 (26.9)
12	3/4-20 UNEF	.940 (23.8)	13	13	M18 x 1 - 6H	1.170 (29.7)
14	7/8-20 UNEF	1.060 (26.9)	15	15	M22 x 1 - 6H	1.290 (32.7)
16	1-20 UNEF	1.170 (29.7)	17	17	M25 x 1 - 6H	1.420 (36.1)
18	1-1/16-18 UNEF	1.290 (32.7)	19	19	M28 x 1 - 6H	1.540 (39.1)
20	1-3/16-18 UNEF	1.420 (36.1)	21	21	M31 x 1 - 6H	1.670 (42.4)
22	1-5/16-18 UNEF	1.540 (39.1)	23	23	M34 x 1 - 6H	2.010 (51.1)
24	1-7/16-18 UNEF	1.660 (42.2)	25	25	M37 x 1 - 6H	2.120 (53.8)
28	1-3/4-18 UNS	2.010 (51.1)				
32	2 - 18 UNS	2.260 (57.4)				

MATERIALS

Anti-decoupling device: Corrosion-resistant material

Adapter, coupling nut: Aluminum alloy

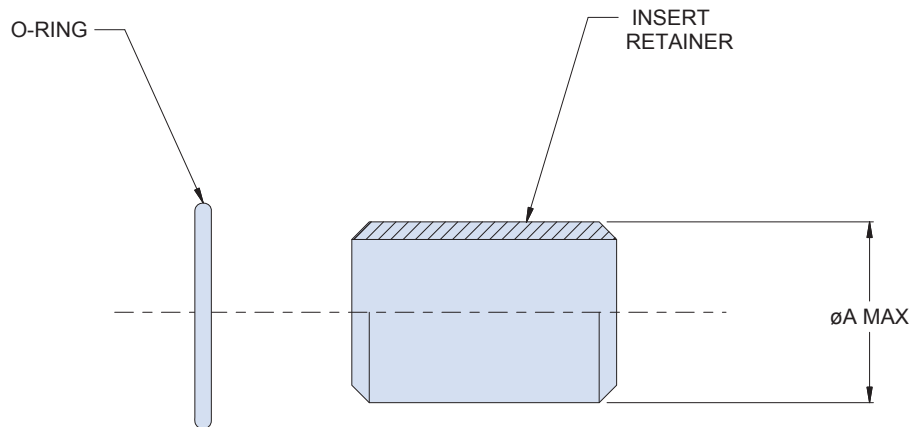
O-Ring: silicone

BacNav OFS backshell insert retainer



Converts 390G084 backshells for use with MIL-PRF-28876 connectors

How To Order				
Sample Part Number	687	-937	NF	13
Series	BacNav OFS backshell insert retainer			
Basic No.	-937			
Finish	NF = Cad/Olive Drab over Electroless Nickel MT = Nickel-PTFE ZR = Dull Black RoHS Zinc-Nickel			
Shell Size Code	Table III			



Shell Size	Ø A Max
11	.412 (10.46)
13	.534 (13.56)
15	.712 (18.08)
23	1.118 (28.40)

MATERIALS

Insert retainer: Aluminum alloy
O-Ring: silicone