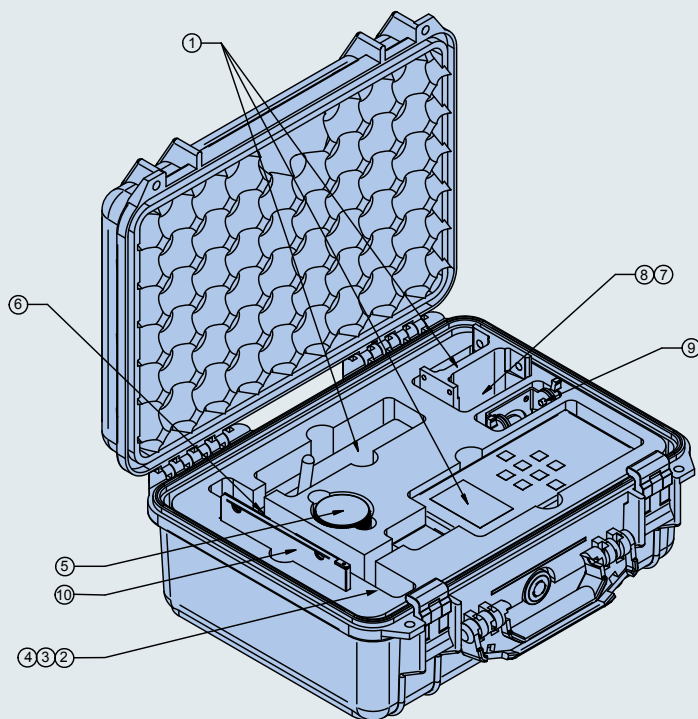




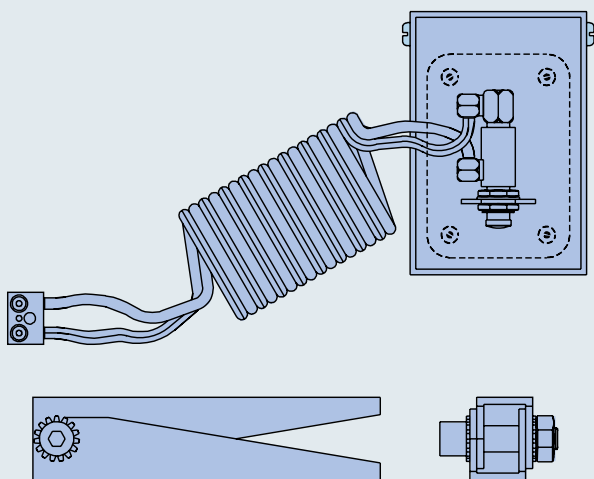
Calibration Kits and Accessories



601-200 Calibration Kit For All Banding Tools

The 601-200 Calibration Kit includes the (1) 601-200-3 calibration device, (2) fifty 601-203 Micro test bands, (3) fifty 601-202 Standard test bands, (4) fifty 601-217 Nano test bands, (5) 601-205 calibration key, (6) Standard tool adapter 601-218 for 601-100, 600-058 installed (7) Standard Pneumatic tool adapter 601-219 for 600-067, 601-104 (8) Micro tool adapter 601-220 for 601-101, 601-105, 601-108, 600-061, and 600-068 (9) Adjustable mounting bracket for meter (10) Data logging software

Range of the calibration device is 0 to 500 lbs, and accuracy is calibrated to ± 1 lbs. at factory. Digital readout in .1 lb. increments. Meter supplied with RS-232 serial communication port on rear of meter case. Serial/USB adapter cable included.



601-400 Foot Pedal Control for 601-106, 601-107, 601-110 and 601-118 Pneumatic Banding Tools

The 601-400 Foot Pedal Control frees both hands to help assure more accurate, reliable and faster shield terminations.