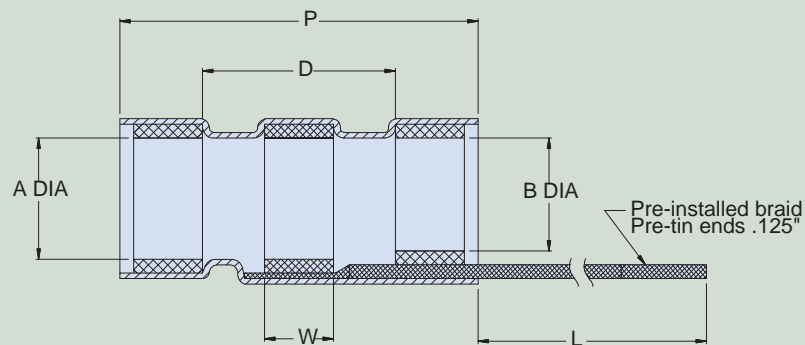


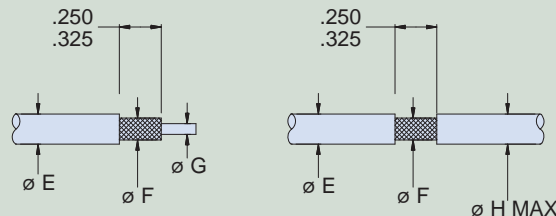


How To Order				
Sample Part Number	077-030	03	T	-6
Product Series	HST sleeve with pre-installed braid			
Size and Braid Material Type	See Tables I, II, and IV			
Thermal Indicator	T = with indicator <b>Omit</b> for none			
Braid Length	-6 = 6 inches, standard. Longer lengths available in 2" increments (-8, -10, -12...-24 [maximum 24"])			

- Designed to meet SAE AS83519 performance requirements
- Fabricated from transparent cross-linked polyvinylidene fluoride tubing for optimal environmental shield termination
- Pre-fluxed solder preform and thermally stabilized thermoplastic sealing rings to encapsulate and protect the shield-to-ground termination
- -55°C to 125°C temperature range IAW SAE AS83519



For best results prepare cable as shown



#### MATERIAL/FINISH:

- Insulation sleeve - Heat-shrinkable, radiation crosslinked, modified polyvinylidene fluoride per MIL-I-23053/8. Color - Translucent blue.
- Sealing ring - Thermally stabilized thermoplastic. Color - blue.
- Solder - Sn63 per ANSI-J-STD-006.
- Flux - ROM1 per ANSI-J-STD-004 (to be used on nickel plated shields only).
- Optional thermal indicator - changes from color to colorless.

#### APPLICATION:

- Temperature rating, Table I, III, IV: -55°C to +150°C, Cable jacket rating - 125° Min.
- Temperature rating, Table II: -55°C to +175°C, Cable jacket rating - 150° Min.
- Shield plating, Table I, IV: Tin or silver.
- Shield plating, Table II: Nickel.

## 077-030 Pre-installed braid pre-tinned on both ends

TABLE I: Tin Copper Braid per A-A-59569 Dimensions, Marking Code and Braid Information

Size	A Dia Min	B Dia Min	P ± .07 (1.8)	D Min	W Ref	L Min	SnCu Braid 36 AWG Ref 101-004	Marking Code	E Dia Max	F Dia Min	G Dia Min	H Dia Max
01	.105 (2.67)	.075 (1.91)	.65 (16.5)	.325 (8.26)	.095 (2.42)	6.00 (152.4)	101-004-062-36	S0301G	.105 (2.65)	.035 (0.90)	.020 (0.50)	.075 (1.90)
02	.145 (3.68)	.105 (2.67)	.65 (16.5)	.325 (8.26)	.095 (2.42)	6.00 (152.4)	101-004-062-36	S0302G	.145 (3.68)	.055 (1.40)	.030 (0.72)	.105 (2.65)
03	.200 (5.08)	.170 (4.32)	.65 (16.5)	.325 (8.26)	.125 (3.18)	6.00 (152.4)	101-004-062-36	S0303G	.200 (5.08)	.085 (2.15)	.050 (1.25)	.170 (4.30)
04	.255 (6.48)	.235 (5.97)	.75 (19.0)	.325 (8.26)	.125 (3.18)	6.00 (152.4)	101-004-062-36	S0304G	.255 (6.45)	.130 (3.30)	.070 (1.80)	.235 (5.95)
05	.300 (7.62)	.275 (7.0)	.75 (19.0)	.325 (8.26)	.125 (3.18)	6.00 (152.4)	101-004-062-36	S0305G	.300 (7.60)	.170 (4.30)	.100 (2.50)	.275 (7.00)
06	.105 (2.67)	.075 (1.91)	.65 (16.5)	.325 (8.26)	.095 (2.42)	6.00 (152.4)	101-004-031-36	S0306G	.105 (2.65)	.035 (0.90)	.020 (0.50)	.075 (1.90)
07	.145 (3.68)	.105 (2.67)	.65 (16.5)	.325 (8.26)	.095 (2.42)	6.00 (152.4)	101-004-031-36	S0307G	.145 (3.68)	.055 (1.40)	.030 (0.72)	.105 (2.65)
08	.200 (5.08)	.170 (4.32)	.65 (16.5)	.325 (8.26)	.125 (3.18)	6.00 (152.4)	101-004-031-36	S0308G	.200 (5.08)	.085 (2.15)	.050 (1.25)	.170 (4.30)
09	.255 (6.48)	.235 (5.97)	.75 (19.0)	.325 (8.26)	.125 (3.18)	6.00 (152.4)	101-004-031-36	S0309G	.255 (6.45)	.130 (3.30)	.070 (1.80)	.235 (5.95)
10	.300 (7.62)	.275 (6.99)	.75 (19.0)	.325 (8.26)	.125 (3.18)	6.00 (152.4)	101-004-031-36	S0310G	.300 (7.60)	.170 (4.30)	.100 (2.50)	.275 (7.00)

TABLE II: Nickel Copper Braid per A-A-59569 Dimensions, Marking Code and Braid Information

Size	A Dia Min	B Dia Min	P ± .07 (1.8)	D Min	W Ref	L Min	NiCu Braid 36 AWG Ref 101-004	Marking Code	E Dia Max	F Dia Min	G Dia Min	H Dia Max
11	.105 (2.67)	.075 (1.91)	.65 (16.5)	.325 (8.26)	.095 (2.42)	6.00 (152.4)	101-004-062-36N	S0311G	.105 (2.65)	.035 (0.90)	.020 (0.50)	.075 (1.90)
12	.145 (3.68)	.105 (2.67)	.65 (16.5)	.325 (8.26)	.095 (2.42)	6.00 (152.4)	101-004-062-36N	S0312G	.145 (3.68)	.055 (1.40)	.030 (0.72)	.105 (2.65)
13	.200 (5.08)	.170 (4.32)	.65 (16.5)	.325 (8.26)	.125 (3.18)	6.00 (152.4)	101-004-062-36N	S0313G	.200 (5.08)	.085 (2.15)	.050 (1.25)	.170 (4.30)
14	.255 (6.48)	.235 (5.97)	.75 (19.0)	.325 (8.26)	.125 (3.18)	6.00 (152.4)	101-004-062-36N	S0314G	.255 (6.45)	.130 (3.30)	.070 (1.80)	.235 (5.95)
15	.300 (7.62)	.275 (7.0)	.75 (19.0)	.325 (8.26)	.125 (3.18)	6.00 (152.4)	101-004-062-36N	S0315G	.300 (7.60)	.170 (4.30)	.100 (2.50)	.275 (7.00)
16	.105 (2.67)	.075 (1.91)	.65 (16.5)	.325 (8.26)	.095 (2.42)	6.00 (152.4)	101-004-031-36N	S0316G	.105 (2.65)	.035 (0.90)	.020 (0.50)	.075 (1.90)
17	.145 (3.68)	.105 (2.67)	.65 (16.5)	.325 (8.26)	.095 (2.42)	6.00 (152.4)	101-004-031-36N	S0317G	.145 (3.68)	.055 (1.40)	.030 (0.72)	.105 (2.65)
18	.200 (5.08)	.170 (4.32)	.65 (16.5)	.325 (8.26)	.125 (3.18)	6.00 (152.4)	101-004-031-36N	S0318G	.200 (5.08)	.085 (2.15)	.050 (1.25)	.170 (4.30)
19	.255 (6.48)	.235 (5.97)	.75 (19.0)	.325 (8.26)	.125 (3.18)	6.00 (152.4)	101-004-031-36N	S0319G	.255 (6.45)	.130 (3.30)	.070 (1.80)	.235 (5.95)
20	.300 (7.62)	.275 (6.99)	.75 (19.0)	.325 (8.26)	.125 (3.18)	6.00 (152.4)	101-004-031-36N	S0320G	.300 (7.60)	.170 (4.30)	.100 (2.50)	.275 (7.00)

TABLE IV: ArmorLite™ Braid Dimensions, Marking Code and Braid Information

Size	A Dia Min	B Dia Min	P ± .07 (1.8)	D Min	W Ref	L Min	ArmorLite™ Braid	Marking Code	E Dia Max	F Dia Min	G Dia Min	H Dia Max
31	.105 (2.67)	.075 (1.91)	.65 (16.5)	.325 (8.26)	.095 (2.42)	6.00 (152.4)	103-027-004	S0331G	.105 (2.65)	.035 (0.90)	.020 (0.50)	.075 (1.90)
32	.145 (3.68)	.105 (2.67)	.65 (16.5)	.325 (8.26)	.095 (2.42)	6.00 (152.4)	103-027-004	S0332G	.145 (3.68)	.055 (1.40)	.030 (0.72)	.105 (2.65)
33	.200 (5.08)	.170 (4.32)	.65 (16.5)	.325 (8.26)	.125 (3.18)	6.00 (152.4)	103-027-004	S0333G	.200 (5.08)	.085 (2.15)	.050 (1.25)	.170 (4.30)
34	.255 (6.48)	.235 (5.97)	.75 (19.0)	.325 (8.26)	.125 (3.18)	6.00 (152.4)	103-027-004	S0334G	.255 (6.45)	.130 (3.30)	.070 (1.80)	.235 (5.95)
35	.300 (7.62)	.275 (7.0)	.75 (19.0)	.325 (8.26)	.125 (3.18)	6.00 (152.4)	103-027-004	S0335G	.300 (7.60)	.170 (4.30)	.100 (2.50)	.275 (7.00)
36	.105 (2.67)	.075 (1.91)	.65 (16.5)	.325 (8.26)	.095 (2.42)	6.00 (152.4)	103-027-002	S0336G	.105 (2.65)	.035 (0.90)	.020 (0.50)	.075 (1.90)
37	.145 (3.68)	.105 (2.67)	.65 (16.5)	.325 (8.26)	.095 (2.42)	6.00 (152.4)	103-027-002	S0337G	.145 (3.68)	.055 (1.40)	.030 (0.72)	.105 (2.65)
38	.200 (5.08)	.170 (4.32)	.65 (16.5)	.325 (8.26)	.125 (3.18)	6.00 (152.4)	103-027-002	S0338G	.200 (5.08)	.085 (2.15)	.050 (1.25)	.170 (4.30)
39	.255 (6.48)	.235 (5.97)	.75 (19.0)	.325 (8.26)	.125 (3.18)	6.00 (152.4)	103-027-002	S0339G	.255 (6.45)	.130 (3.30)	.070 (1.80)	.235 (5.95)
40	.300 (7.62)	.275 (6.99)	.75 (19.0)	.325 (8.26)	.125 (3.18)	6.00 (152.4)	103-027-002	S0340G	.300 (7.60)	.170 (4.30)	.100 (2.50)	.275 (7.00)