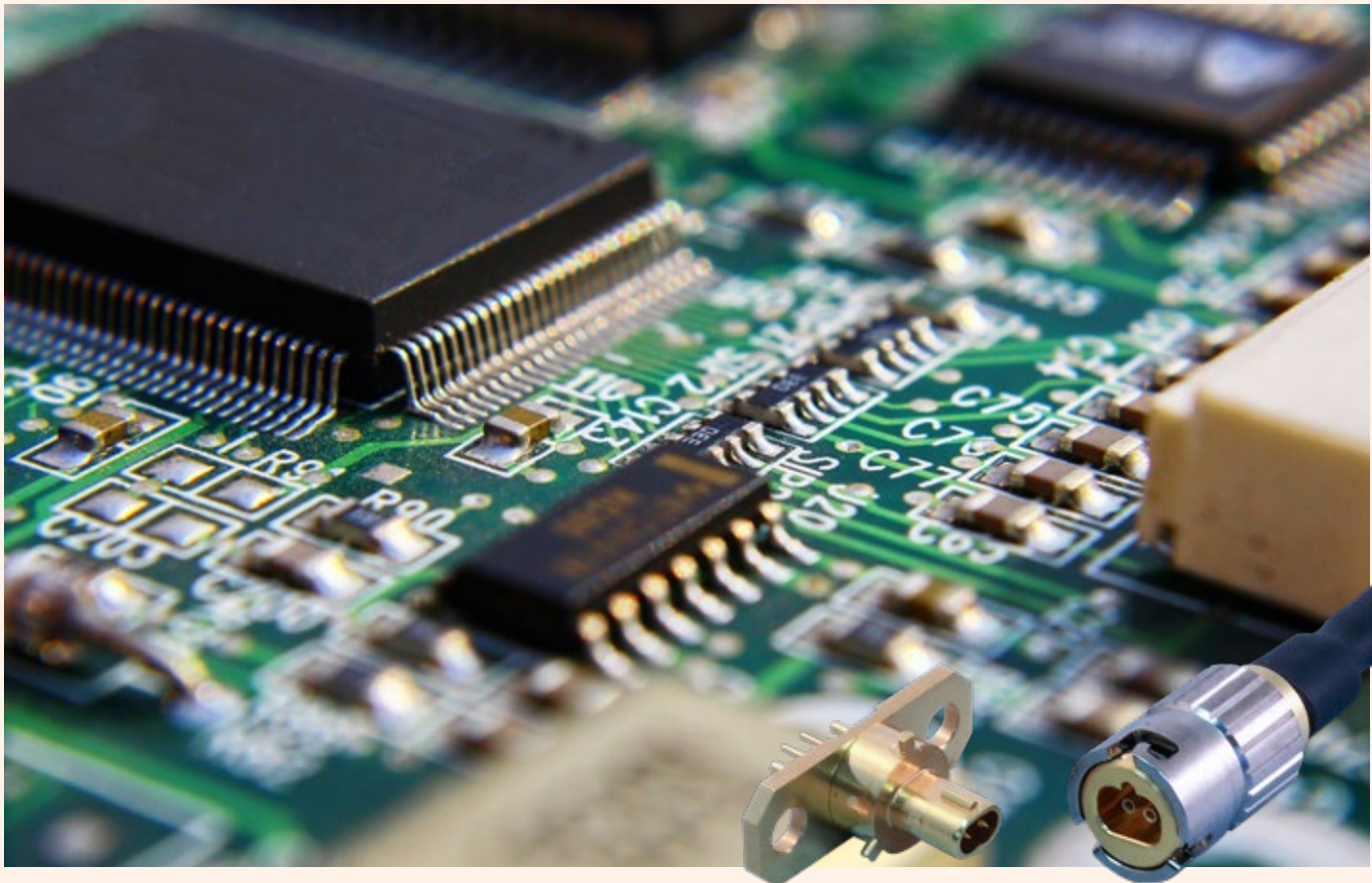


HIGH-SPEED
VERSALINK™
DIFFERENTIAL
TWINAX BYPASS
JUMPERS



VersaLink Bridge: 100 Ohm connectors and jumpers for high-speed board applications



VersaLink Bridge: bypass high-loss board traces with a low insertion-loss and low signal-latency point-to-point Twinax jumper

High-speed data transmission from one PCB to another, from one side of a backplane to another, or even from one side of a complex embedded system to another, is frequently accomplished by routing high-speed traces on a dedicated high-speed signal layer. This is a complex assignment—fraught with potential for impedance discontinuities and unacceptable insertion loss—as traces must navigate difficult and/or long routing paths around via columns and other board irregularities. The Glenair VersaLink Bridge is a high-density, micro-form factor twinax connector / jumper assembly used to bridge the gap between point A and point B on the board (such as between two SML integrated circuit chips) with better signal integrity than native board traces can ever deliver. VersaLink Bridge is equally capable of dramatically reducing insertion loss and signal latencies for data traffic between an ASIC and the I/O.

Right-angle bayonet-lock version for high shock and vibrate applications

VERSALINK BRIDGE FEATURES

- Small footprint, high-density solution
- Versatile solder-mount or screw-mount board termination
- 100 Ohm differential Twinax
- Push-pull mating or bayonet-lock for high vibration and shock applications
- Keyed polarization prevents mis-mating
- Low insertion loss and low signal latencies for high data rate board transmissions

HIGH-SPEED VersaLink™ Bridge



Differential Twinax “bypass” connector and jumper assemblies

AVAILABLE CONFIGURATIONS: QUICK-DISCONNECT

Quick-disconnect plug	QDC Jack board pin straight screw mount	QDC Jack board pin straight solder mount	QDC Jack board pin right-angle screw mount	QDC Jack board pin right-angle solder mount

AVAILABLE CONFIGURATIONS: BAYONET-LOCK

Bayonet-lock plug	Bayonet-lock Jack board pin straight screw mount	Bayonet-lock Jack board pin straight screw mount

Recommended Cable for Plug Connectors

Cable P/N	Cable Construction	Wire Gauge	Impedance	Max. Overall Size
963-043-26	Twinax In-Line	26	100 Ω	.121" X .076"

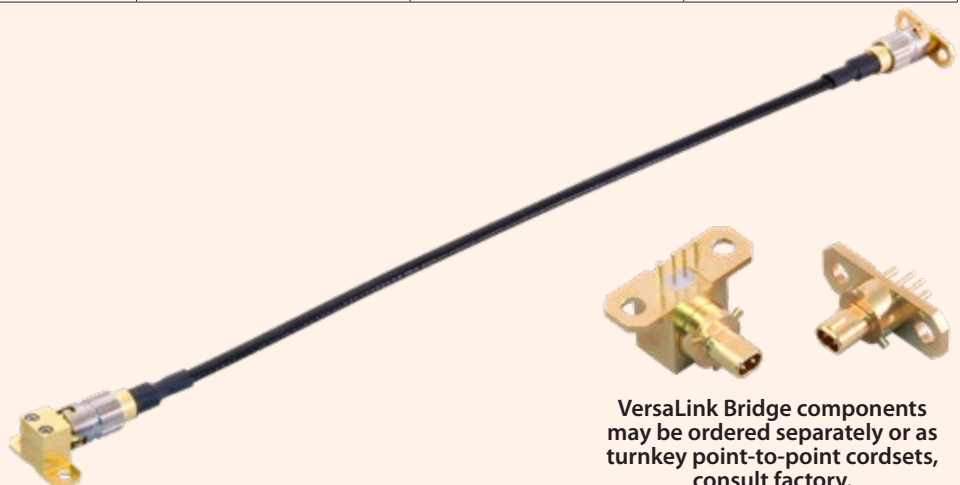
MATERIALS AND FINISHES

Contacts: Copper alloy / gold
 Insulators: Superior rigid dielectric
 Body: Copper alloy / gold
 Ferrules (plugs): Copper alloy / electroless nickel
 Spring (plugs): Music wire

ELECTRICAL PARAMETERS

(for Board Connectors)

Impedance: 100 Ohms
 DWV: 500 RMS
 IR: 5000 Megaohms min. at 200 VDC



VersaLink Bridge components may be ordered separately or as turnkey point-to-point cordsets, consult factory.

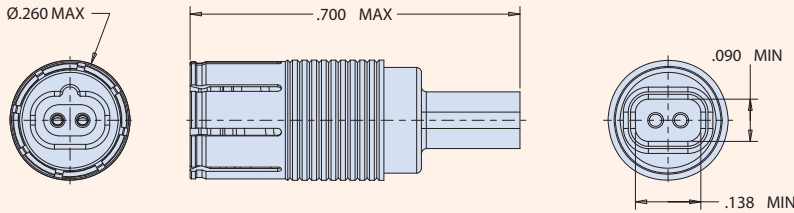
HIGH-SPEED VersaLink™ Bridge

QDC Differential Twinax “bypass” connectors How-to-order



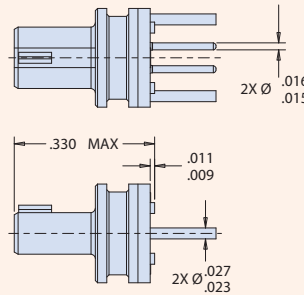
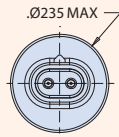
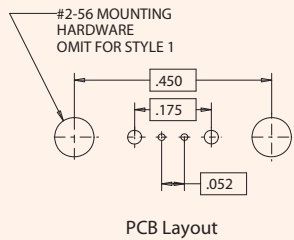
How To Order VersaLink Bridge Quick-Disconnect Plug Connectors

Sample Part Number	853-051
Series	853-051 VersaLink Bridge Plug socket QDC connectors

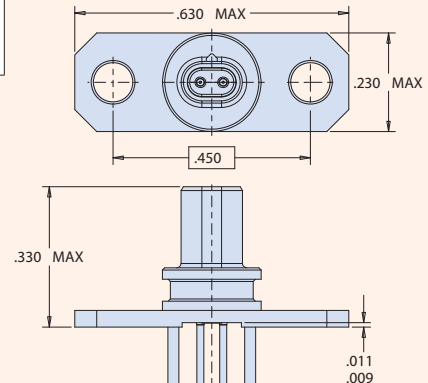


How To Order VersaLink Bridge Quick-Disconnect Straight Board Connectors

Sample Part Number	853-052 -1 G -.140
Series	853-052 VersaLink Bridge straight board pin QDC connectors
Mounting Style	1 = Solder Mount 2 = Screw Mount
PC Tail Finish	S = Solder dipped in 63/37 Tin/Lead G = Gold Plated
PC Tail Length	-.140, -.110, -.080 (length in inches)



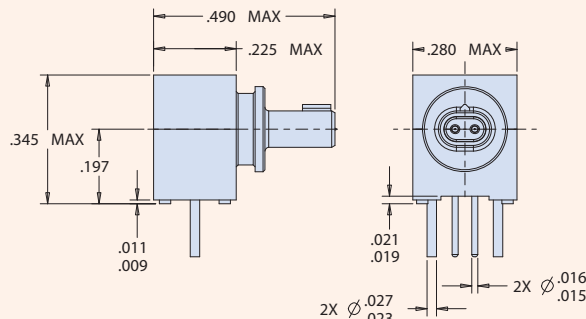
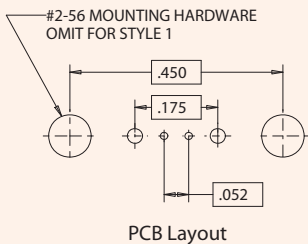
SOLDER MOUNT



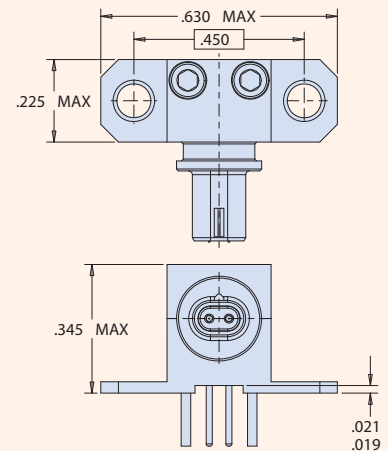
SCREW MOUNT

How To Order VersaLink Bridge Quick-Disconnect Right-Angle Board Connectors

Sample Part Number	853-054 -1 G -.140
Series	853-054 VersaLink Bridge Right-angle board pin QDC connectors
Mounting Style	1 = Solder Mount 2 = Screw Mount
PC Tail Finish	S = Solder dipped in 63/37 Tin/Lead G = Gold Plated
PC Tail Length	-.140, -.110, -.080 (length in inches)



SOLDER MOUNT



SCREW MOUNT

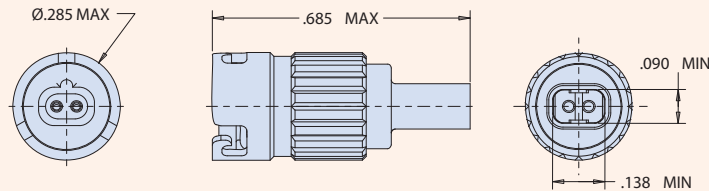
HIGH-SPEED VersaLink™ Bridge



Bayonet-Lock Differential Twinax “bypass” connectors How-to-order

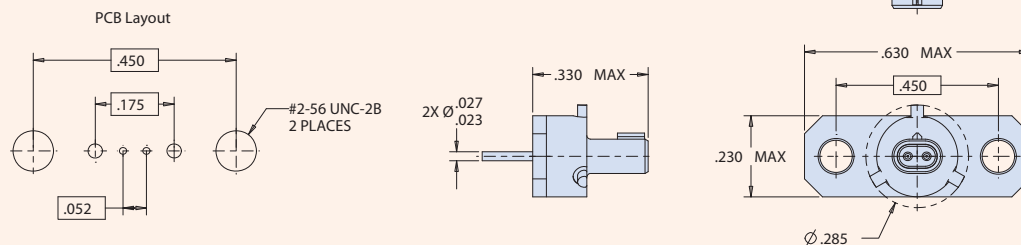
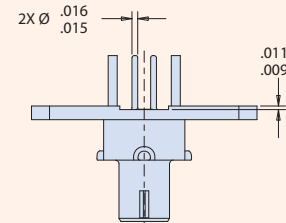
How To Order VersaLink Bridge Bayonet-Lock Plug Connectors

Sample Part Number	853-064
Series	853-064 VersaLink Bridge Plug socket bayonet connectors



How To Order VersaLink Bridge Bayonet-Lock Straight Board Connectors

Sample Part Number	853-065	G	-.140
Series	853-065 VersaLink Bridge Bayonet-lock straight board pin connector		
PC Tail Finish	S = Solder dipped in 63/37 Tin/Lead G = Gold Plated		
PC Tail Length	-.140, -.110, -.080 (length in inches)		



How To Order VersaLink Bridge Bayonet-Lock Right-Angle Board Connectors

Sample Part Number	853-067	G	-.140
Series	853-067 VersaLink Bridge Bayonet-lock right-angle board pin connector		
PC Tail Finish	S = Solder dipped in 63/37 Tin/Lead G = Gold Plated		
PC Tail Length	-.140, -.110, -.080 (length in inches)		

