

# Series 31 Shrink Boot Adapters

for Series 970 PowerTrip® Connectors

## 310P\*001 Shrink Boot Adapter, Spin Coupling



**Spin coupling. Boot groove.** 310F\*001 shrink boot adapter fits MIL-DTL-38999 Series III and IV connectors. Adapter has groove for lipped shrink boot. Supplied as adapter only or as kit with shrink boot. Aluminum or stainless steel, silicone O-ring.

### PART NUMBER

310PS001 M 17 T

Base P/N	Base Part No.	Profile
	<b>310PS001</b> <b>S</b>	Straight
	<b>310PM001</b> <b>M</b>	45°
	<b>310PN001</b> <b>N</b>	90°

Material/Finish	Material/Finish
<b>ME</b>	Alum/ Electroless Nickel
<b>MT</b>	Alum/ Nickel-PTFE
<b>NF</b>	Alum/ Olive Drab Cadmium
<b>ZR</b>	Alum/ Black Zinc-Nickel
<b>TZ</b>	Alum/ Tin-Zinc
<b>ZI</b>	SST/ Passivated

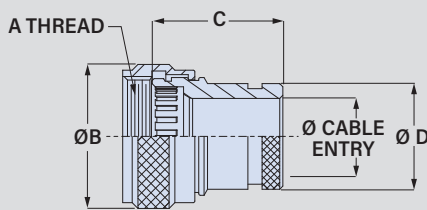
Shell Size **18 20 24 28 32 36 40**

Shrink Boot	Omit if not required
<b>T</b>	Shrink Boot
<b>S</b>	Zero Halogen Shrink Boot

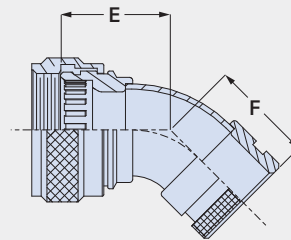
### Adapter Code **P**

This accessory fits Glenair Series 970 PowerTrip Connectors

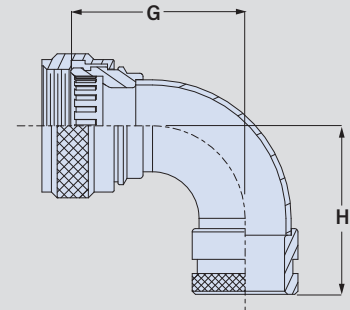
#### Profile **S** Straight



#### Profile **M** 45°



#### Profile **N** 90°



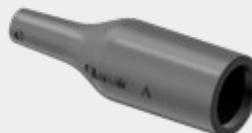
Shell Size	A Thread	ø B Max		C Max		D Max		E Max		F Max		G Max		H Max		R Max		Cable Entry Min	
		in	mm	in	mm	in	mm	in	mm	in	mm	in	mm	in	mm	in	mm	in	mm
<b>18</b>	1.125-18 UNEF-2B	1.39	35.3	1.250	31.8	1.005	25.5	1.250	31.8	1.00	25.4	1.906	48.4	1.63	41.4	.880	22.4	.724	18.4
<b>20</b>	1.250-18 UNEF-2B	1.53	38.9	1.250	31.8	1.139	28.9	1.312	33.3	1.06	26.9	2.031	51.6	1.75	44.5	1.00	25.4	.858	21.8
<b>24</b>	1.4375-18 UNEF-2B	1.72	43.7	1.250	31.8	1.324	33.6	1.406	35.7	1.19	30.2	2.281	57.9	2.00	50.8	1.25	31.8	1.043	26.5
<b>28</b>	1.8125-16 UN-2B	2.13	54.1	1.250	31.8	1.625	41.2	1.500	38.1	1.25	31.8	2.531	64.3	2.44	62.0	1.50	38.1	1.353	34.4
<b>32</b>	2.0625-16 UNS-2B	2.35	59.7	1.315	33.4	1.901	48.3	1.675	42.5	1.38	35.1	2.625	66.7	2.75	69.9	1.75	44.5	1.620	41.4
<b>36</b>	2.250-16 UN-2B	2.59	65.8	1.315	33.4	2.104	53.4	1.799	45.7	1.75	44.5	2.875	73.0	2.88	73.2	2.25	57.2	1.823	46.3
<b>40</b>	2.500-16 UN-2B	2.87	70.6	1.315	33.4	2.331	59.2	1.861	47.3	1.75	44.5	3.025	76.8	2.88	73.2	2.25	57.2	2.050	52.1

### SHRINK BOOT

Optional heatshrink boot provides cable strain relief and environmental protection.

**Standard** Type 1 high-performance semi-rigid elastomer resists fuels and oils and withstands temperature extremes. Operating temperature range -75 to +150 °C.

**Zero Halogen** Type 2 high-performance semi-flexible polyolefin meets low smoke and toxicity requirements. Operating temperature range -40 to +130 °C.



Shell Size	Shrink Boot Part Number	
	Standard	Zero Halogen
18	<b>770-001S105</b>	<b>770-001S205</b>
20	<b>770-001S105</b>	<b>770-001S205</b>
24	<b>770-001S106</b>	<b>770-001S206</b>
28	<b>770-001S107</b>	<b>770-001S207</b>
32	<b>770-001S108</b>	<b>770-001S208</b>
36	<b>770-001S109</b>	<b>770-001S209</b>
40	<b>770-001S109</b>	<b>770-001S209</b>