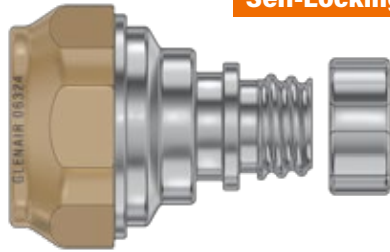


# Series 31 Shrink Boot Adapters

for MIL-DTL-38999 Series III and IV Connectors

## 311H\*019 Shrink Boot Adapter, Braid Trap, Composite



**Self-Locking**

**Corrosion-proof composite material.** 311H\*019 composite shrink boot adapter fits MIL-DTL-38999 Series III and IV connectors. Adapter has candelabra-style tapered thread to captivate shield braid under nut. install optional lipped shrink boot over nut for environmental protection. Anti-decoupling mechanism provides audible detented coupling and prevents backoff under high vibration. Supplied as adapter only or as kit with shrink boot. Glass-filled high performance thermoplastic, silicone O-ring.

**Adapter Code H**

This accessory fits these connectors:  
MIL-DTL-38999 Series III and Series IV

**BRAID TRAP**

TAPERED CANDELABRA THREAD

**TABLE 1: ENTRY SIZE**

Entry Size	Shell Sizes	K Entry Dia. ±.030 (0.8)	L ±.06 (1.5)
		in mm	in mm
02	09-25	.250 6.4	.52 13.2
03	11-25	.375 9.5	.64 16.3
04	13-25	.500 12.7	.77 19.6
05	15-25	.625 15.9	.92 23.4
06	17-25	.750 19.1	1.02 25.9
07	19-25	.875 22.2	1.14 29.0
08	21-25	1.000 25.4	1.27 32.3
09	23-25	1.125 28.6	1.43 36.3
10	25	1.250 31.8	1.52 38.6

**SHRINK BOOT**

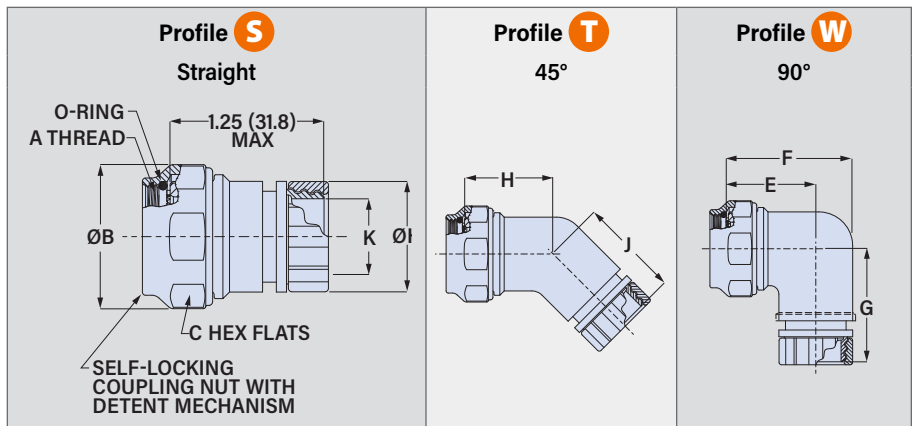
Optional heatshrink boot provides cable strain relief and environmental protection. Type 1 high-performance semi-rigid elastomer resists fuels and oils and withstands temperature extremes.



Entry Size	Shrink Boot P/N
02	770-003S112
03	770-003S103
04	770-003S103
05	770-003S104
06	770-003S104
07	770-003S105
08	770-003S106
09	770-003S107
10	770-003S107

**PART NUMBER**

	311HS019	XM	21	06	T					
Base P/N	Base Part No.	Profile								
	311HS019	S Straight								
	311HT019	T 45°								
	311HW019	W 90°								
Finish	XM	Electroless Nickel	Coupling nut is natural amber color, unplated							
	XMT	Nickel-PTFE								
	XW	Olive Drab Cadmium								
	XZR	Black Zinc-Nickel								
Shell Size	Shell Size	9	11	13	15	17	19	21	23	25
	Size Code	A	B	C	D	E	F	G	H	J
		09	11	13	15	17	19	21	23	25
Entry Size	See Table 1									
Shrink Boot	Omit if not required									
	T	Shrink Boot included								



Shell Size	A Thread	ø B Max	C Hex Flats	ø E ±.06(1.5)	F ±.09(2.3)	G ±.09(2.3)	H ±.06(1.5)	J ±.09(2.3)	Max Entry Size
		in mm	in mm	in mm	in mm	in mm	in mm	in mm	
9 (A)	M12X1.0-6H	.86 21.8	.750 19.1	.69 17.5	.88 22.4	1.19 30.2	.72 18.3	1.00 25.4	02
11 (B)	M15X1.0-6H	.98 24.9	.875 22.2	.75 19.1	1.00 25.4	1.25 31.8	.75 19.1	1.06 26.9	03
13 (C)	M18X1.0-6H	1.16 29.5	1.000 25.4	.81 20.6	1.13 28.7	1.31 33.3	.75 19.1	1.13 28.7	04
15 (D)	M22X1.0-6H	1.28 32.5	1.125 28.6	.88 22.4	1.31 33.3	1.38 35.1	.76 19.3	1.16 29.5	05
17 (E)	M25X1.0-6H	1.41 35.8	1.250 31.8	.94 23.9	1.38 35.1	1.44 36.6	.78 19.8	1.18 30.0	06
19 (F)	M28X1.0-6H	1.52 38.6	1.375 34.9	.97 24.6	1.44 36.6	1.47 37.3	.79 20.1	1.19 30.2	07
21 (G)	M31X1.0-6H	1.64 41.7	1.500 38.1	1.06 26.9	1.63 41.4	1.56 39.6	.82 20.8	1.22 31.0	08
23 (H)	M34X1.0-6H	1.77 45.0	1.625 41.3	1.13 28.7	1.75 44.5	1.63 41.4	.86 21.8	1.26 32.0	09
25 (J)	M37X1.0-6H	1.89 48.0	1.750 44.5	1.19 30.2	1.88 47.8	1.69 42.9	.89 22.6	1.29 32.8	10