

Series 31 Shrink Boot Adapters

for MIL-DTL-38999 Series III and IV Connectors

319H*001 Shrink Boot Adapter, Braid Sock



Adapter Code H

This accessory fits these connectors:
MIL-DTL-38999 Series III and Series IV

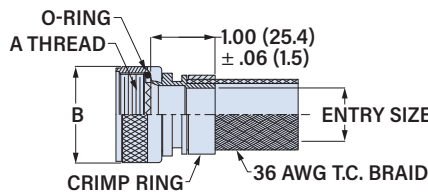
PROFILE SELECTION GUIDE

S Straight	A 90°
B 45°	C 90°
D 90°	F 45°
H 45°	J 90°

Braid Sock. 319H*001 shrink boot adapter with braid sock fits MIL-DTL-38999 Series III and IV connectors. Adapter has braid attached with crimp ring. install optional lipped shrink boot for environmental protection. Supplied as adapter only or as kit with shrink boot. Aluminum or stainless steel. Tin-plated copper crimp ring. Braid is 36 AWG tinned copper per A-A-59569.

PART NUMBER

Base P/N	Base Part No. Profile 319HS001 S Straight 319HA001 A 90° Elbow 319HB001 B 45° Elbow 319HC001 C 90° Low Prof. 319HD001 D 90° Split 319HF001 F 45° Split 319HH001 H 45° Cut/Weld 319HJ001 J 90° Cut/Weld	319HS001	NF	11	04	-6	T																																																												
Material/Finish	M Alum/ Electroless Nickel MT Alum/ Nickel-PTFE NF Alum/ Olive Drab Cadmium ZR Alum/ Black Zinc-Nickel TZ Alum/ Tin-Zinc ZI SST/ Passivated (Profiles H, J, S only)																																																																		
Shell Size	Shell Size 9 11 13 15 17 19 21 23 25 A B C D E F G H J Size Code 09 11 13 15 17 19 21 23 25																																																																		
Entry Size	<table border="1"> <thead> <tr> <th>Size</th> <th>Cable Entry ± .015 (0.4)</th> <th>Shell Sizes*</th> <th>Size</th> <th>Cable Entry ± .015 (0.4)</th> <th>Shell Sizes*</th> </tr> </thead> <tbody> <tr><td>01</td><td>.188 (4.8)</td><td>09-25</td><td>10</td><td>.750 (19.1)</td><td>17-25</td></tr> <tr><td>02</td><td>.250 (6.4)</td><td>09-25</td><td>11</td><td>.812 (20.6)</td><td>19-25</td></tr> <tr><td>03</td><td>.312 (7.9)</td><td>11-25</td><td>12</td><td>.875 (22.2)</td><td>19-25</td></tr> <tr><td>04</td><td>.375 (9.5)</td><td>11-25</td><td>13</td><td>.938 (23.8)</td><td>21-25</td></tr> <tr><td>05</td><td>.438 (11.1)</td><td>13-25</td><td>14</td><td>1.000 (25.4)</td><td>21-25</td></tr> <tr><td>06</td><td>.500 (12.7)</td><td>13-25</td><td>22</td><td>1.062 (27.0)</td><td>23-25</td></tr> <tr><td>07</td><td>.562 (14.3)</td><td>15-25</td><td>19</td><td>1.125 (28.6)</td><td>23-25</td></tr> <tr><td>08</td><td>.625 (15.9)</td><td>15-25</td><td>23</td><td>1.188 (30.2)</td><td>25</td></tr> <tr><td>09</td><td>.688 (17.5)</td><td>17-25</td><td>15</td><td>1.250 (31.8)</td><td>25</td></tr> </tbody> </table> <p>* If selected entry size exceeds shell size range, a Style 2 transition adapter will be included. See Maximum Entry Size for details. △ Profile C entry size cannot exceed shell size range listed in table.</p>	Size	Cable Entry ± .015 (0.4)	Shell Sizes*	Size	Cable Entry ± .015 (0.4)	Shell Sizes*	01	.188 (4.8)	09-25	10	.750 (19.1)	17-25	02	.250 (6.4)	09-25	11	.812 (20.6)	19-25	03	.312 (7.9)	11-25	12	.875 (22.2)	19-25	04	.375 (9.5)	11-25	13	.938 (23.8)	21-25	05	.438 (11.1)	13-25	14	1.000 (25.4)	21-25	06	.500 (12.7)	13-25	22	1.062 (27.0)	23-25	07	.562 (14.3)	15-25	19	1.125 (28.6)	23-25	08	.625 (15.9)	15-25	23	1.188 (30.2)	25	09	.688 (17.5)	17-25	15	1.250 (31.8)	25						
Size	Cable Entry ± .015 (0.4)	Shell Sizes*	Size	Cable Entry ± .015 (0.4)	Shell Sizes*																																																														
01	.188 (4.8)	09-25	10	.750 (19.1)	17-25																																																														
02	.250 (6.4)	09-25	11	.812 (20.6)	19-25																																																														
03	.312 (7.9)	11-25	12	.875 (22.2)	19-25																																																														
04	.375 (9.5)	11-25	13	.938 (23.8)	21-25																																																														
05	.438 (11.1)	13-25	14	1.000 (25.4)	21-25																																																														
06	.500 (12.7)	13-25	22	1.062 (27.0)	23-25																																																														
07	.562 (14.3)	15-25	19	1.125 (28.6)	23-25																																																														
08	.625 (15.9)	15-25	23	1.188 (30.2)	25																																																														
09	.688 (17.5)	17-25	15	1.250 (31.8)	25																																																														
Braid Length	Braid length in 1 inch increments, 4 inch minimum																																																																		
Shrink Boot	Omit if not required T Shrink Boot included																																																																		

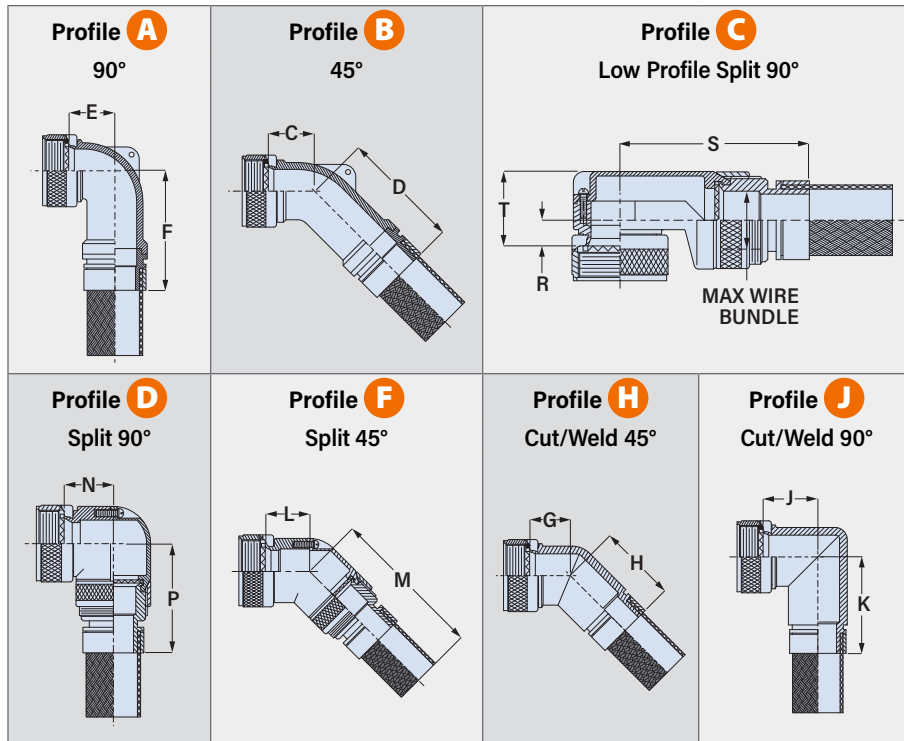


Shell Size	A Thread	øB Max in	Max Entry Size
9 (A)	M12X1.0-6H	.770	02
11 (B)	M15X1.0-6H	.840	04
13 (C)	M18X1.0-6H	.960	06
15 (D)	M22X1.0-6H	1.090	08
17 (E)	M25X1.0-6H	1.230	10
19 (F)	M28X1.0-6H	1.360	12
21 (G)	M31X1.0-6H	1.480	14
23 (H)	M34X1.0-6H	1.600	19
25 (J)	M37X1.0-6H	1.720	15

Series 31 Shrink Boot Adapters

for MIL-DTL-38999 Series III and IV Connectors

319H*001 Shrink Boot Adapter, Braid Sock



Shell Size	C Max in mm	D Max in mm	E Max in mm	F Max in mm	G Max in mm	H Max in mm	J Max in mm	K Max in mm
9 (A)	.457 11.6	1.71 43.4	.500 12.7	1.730 43.9	.830 21.1	1.045 26.5	.940 23.9	1.188 29.3
11 (B)	.520 13.2	1.77 45.0	.595 15.1	1.850 47.0	.860 21.8	1.075 27.3	1.010 25.7	1.225 31.1
13 (C)	.582 14.8	1.83 46.5	.610 15.5	1.870 47.5	.882 22.4	1.097 27.9	1.070 27.2	1.285 32.6
15 (D)	.645 16.4	1.92 48.8	.700 17.8	1.940 49.3	.900 22.9	1.125 28.6	1.130 28.7	1.345 34.2
17 (E)	.738 18.7	2.03 51.6	.885 22.5	2.030 51.6	.930 23.6	1.145 29.1	1.190 30.2	1.405 35.7
19 (F)	.926 23.5	2.22 56.4	.975 24.8	2.200 55.9	.950 24.1	1.165 29.6	1.240 31.5	1.455 37.0
21 (G)	.926 23.5	2.22 56.4	.975 24.8	2.200 55.9	.980 24.9	1.195 30.4	1.310 33.3	1.525 38.7
23 (H)	1.020 25.9	2.37 60.2	1.125 28.6	2.310 58.7	1.000 25.4	1.215 30.9	1.360 34.5	1.575 40.0
25 (J)	1.020 25.9	2.37 60.2	1.125 28.6	2.310 58.7	1.030 26.2	1.245 31.6	1.430 36.3	1.645 41.8

Shell Size	L Max in mm	M Max in mm	N Max in mm	P Max in mm	R Ref in mm	S Max in mm	T Max in mm	Max Wire Bundle in mm
9 (A)	440 11.2	1.500 38.1	.680 17.3	1.440 36.6	.340 8.6	1.780 45.2	.681 17.3	250 6.4
11 (B)	.500 12.7	1.560 39.6	.750 19.1	1.500 38.1	.270 6.9	1.940 49.3	.731 18.6	.375 9.5
13 (C)	.560 14.2	1.630 41.4	.810 20.6	1.570 39.9	.270 6.9	1.940 49.3	.731 18.6	.375 9.5
15 (D)	.620 15.7	1.660 42.2	.870 22.1	1.600 40.6	.280 7.1	2.010 51.1	.831 21.1	.500 12.7
17 (E)	.680 17.3	1.760 44.7	.930 23.6	1.700 43.2	.420 10.7	2.060 52.3	.981 24.9	.625 15.9
19 (F)	.750 19.1	1.820 46.2	1.000 25.4	1.760 44.7	.640 16.3	2.090 53.1	1.181 30.0	.625 15.9
21 (G)	.820 20.8	1.880 47.8	1.060 26.9	1.820 46.2	.640 16.3	2.090 53.1	1.181 30.0	.625 15.9
23 (H)	.880 22.4	1.940 49.3	1.120 28.4	1.880 47.8	.540 13.7	2.240 56.9	1.181 30.0	.750 19.1
25 (J)	.940 23.9	2.000 50.8	1.180 30.3	1.940 49.3	.540 13.7	2.240 56.9	1.181 30.0	.750 19.1

SHRINK BOOT

Optional heatshrink boot provides cable strain relief and environmental protection. Type 1 high-performance semi-rigid elastomer resists fuels and oils and withstands temperature extremes.



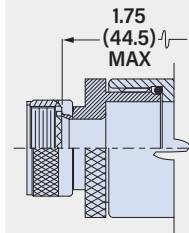
Entry Size	Shrink Boot P/N
01-02	770-003S111
03-05	770-001S103
06-08	770-001S104
09-11	770-001S105
12-14	770-001S106
15	770-001S107
16-17	770-001S108
18	770-001S109
19-20	770-001S107
21	770-001S108
22	770-001S106
23	770-001S107

MAXIMUM ENTRY SIZE

If the selected entry size exceeds the maximum size in this table, the backshell will have a front adapter. This is called a *Style 2* backshell.

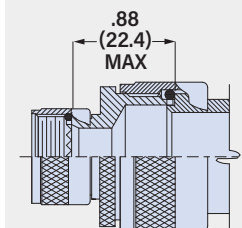
Shell Size	Max Entry Size	Shell Size	Max Entry Size
09	02	19	12
11	04	21	14
13	06	23	19
15	08	25	15
17	10		

Style 2 Straight Backshell



For Style 2 straight backshells, the front adapter adds 1/2 inch to the length.

Style 2 45° and 90° Backshells



For Style 2 45° and 90° backshells, the length increases by .88 inch.