

Series 31 Shrink Boot Adapters

for Series 80 Mighty Mouse Connectors

319MS001 Shrink Boot Adapter, Braid Sock

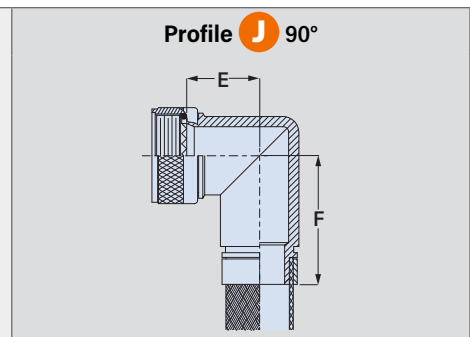
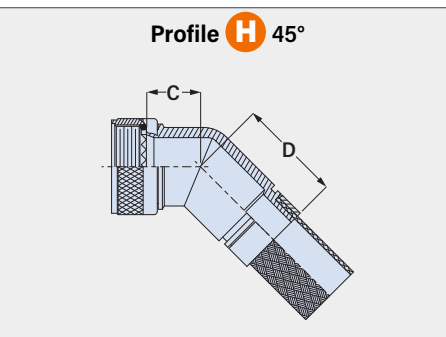
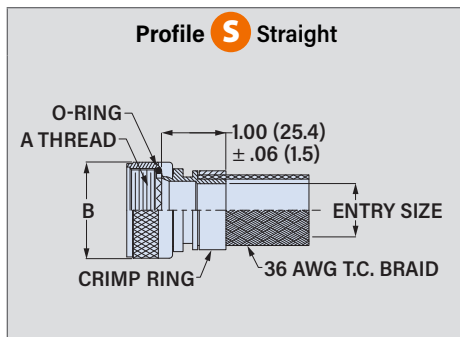


Adapter Code M
This accessory fits Series 80 Mighty Mouse Connectors

Braid Sock. 319M*001 shrink boot adapter with braid sock fits Glenair Series 80 Mighty Mouse connectors. Adapter has braid attached with crimp ring, install optional lipped shrink boot for environmental protection. Supplied as adapter only or as kit with shrink boot. Aluminum or stainless steel. Tin-plated copper crimp ring. Braid is 36 AWG tinned copper per A-A-59569.

PART NUMBER

| | | | | | | |
|------------------------|---------------------------------------------------|--------------------------------------------|------------|--------------|------------------|------------|
| | | 319MS001 | M | 11 | 03 | -6 |
| Base P/N | Base Part No. | 319MS001 | | | | |
| | Profile | S Straight | | | | |
| | | H 45° | | | | |
| | | J 90° | | | | |
| Material/Finish | M | Alum/ Electroless Nickel | | | | |
| | MT | Alum/ Nickel-PTFE | | | | |
| | NF | Alum/ Olive Drab Cadmium | | | | |
| | ZR | Alum/ Black Zinc-Nickel | | | | |
| | TZ | Alum/ Tin-Zinc | | | | |
| | ZI | SST/ Passivated (Profiles H, J, S only) | | | | |
| Shell Size | | 05 06 07 08 09 10 11 12 13 14 16 17 | | | | |
| | | See table | | | | |
| Entry Size | Size | Cable Entry Size | Shell Size | Size | Cable Entry Size | Shell Size |
| | | ± .015 (0.4) | | | ± .015 (0.4) | |
| | 01 | .188 (4.8) | 05-17 | 08 | .625 (15.9) | 12-17 |
| | 02 | .250 (6.4) | 06-17 | 09 | .688 (17.5) | 14-17 |
| | 03 | .312 (7.9) | 07-17 | 10 | .750 (19.1) | 14-17 |
| | 04 | .375 (9.5) | 07-17 | 11 | .812 (20.6) | 14-17 |
| | 05 | .438 (11.1) | 08-17 | 12 | .875 (22.2) | 14-17 |
| | 06 | .500 (12.7) | 09-17 | 13 | .938 (23.8) | 16-17 |
| 07 | .562 (14.3) | 10-17 | 14 | 1.000 (25.4) | 17 | |
| Braid Length | Braid length in 1 inch increments, 6 inch minimum | | | | | |



| Shell Size Code | Shell Size | | A Thread UNEF-2B | øB Max | | C Max | | D Max | | E Max | | F Max | | Max Entry Size |
|-----------------|---------------------------|------------|------------------|--------|------|-------|------|-------|------|-------|------|-------|------|----------------|
| | Series 800, 801, 803, 804 | Series 805 | | in | mm | in | mm | in | mm | in | mm | in | mm | |
| 05 | 5 | N/A | 0.250-32 | .470 | 11.9 | .640 | 16.3 | .870 | 22.1 | .820 | 20.8 | 1.000 | 25.4 | 01 |
| 06 | 6 | N/A | 0.3125-32 | .530 | 13.5 | .650 | 16.5 | .880 | 22.4 | .840 | 21.3 | 1.000 | 25.4 | 02 |
| 11 | N/A | 8 | 0.3750-32 | .570 | 14.5 | .660 | 16.8 | .890 | 22.6 | .860 | 21.8 | 1.020 | 25.9 | 02 |
| 07 | 7 | 9 | 0.4375-28 | .637 | 16.2 | .670 | 17.0 | .900 | 22.9 | .870 | 22.1 | 1.040 | 26.4 | 04 |
| 08 | 8 | 10 | 0.500-28 | .700 | 17.8 | .680 | 17.3 | .910 | 23.1 | .900 | 22.9 | 1.060 | 26.9 | 05 |
| 09 | 9 | 11 | 0.5625-24 | .758 | 19.3 | .690 | 17.5 | .920 | 23.4 | .930 | 23.6 | 1.080 | 27.4 | 06 |
| 10 | 10 | 12 | 0.625-24 | .819 | 20.8 | .710 | 18.0 | .940 | 23.9 | .980 | 24.9 | 1.120 | 28.4 | 07 |
| 12 | 11, 12, 13 | 13 | 0.6875-24 | .896 | 22.8 | .740 | 18.8 | .960 | 24.4 | 1.030 | 26.2 | 1.180 | 30.0 | 08 |
| 13 | N/A | 15 | 0.750-20 | .930 | 23.6 | .760 | 19.3 | .980 | 24.9 | 1.090 | 27.7 | 1.240 | 31.5 | 08 |
| 14 | 14, 15, 16, 17 | 18, 19 | 0.9375-20 | 1.137 | 28.9 | .790 | 20.1 | 1.010 | 25.7 | 1.160 | 29.5 | 1.300 | 33.0 | 12 |
| 16 | 19 | 21 | 1.0625-18 | 1.250 | 31.8 | .820 | 20.8 | 1.030 | 26.2 | 1.250 | 31.8 | 1.360 | 34.5 | 13 |
| 17 | 21 | 23 | 1.1875-18 | 1.387 | 35.2 | .850 | 21.6 | 1.070 | 27.2 | 1.320 | 33.5 | 1.410 | 35.8 | 14 |