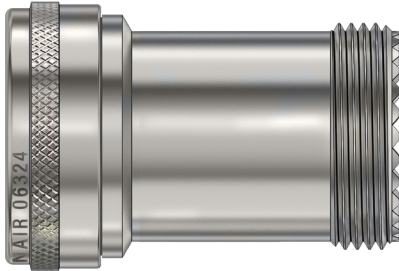


Series 32 Extender Backshells

for AS50151 Crimp, M26482 Series II, M83723 Series III, AS95234

320A*006 Extender Backshell, Self-Locking

Self-Locking



Adapter Code A

AS50151 crimp, AS95234, MIL-DTL-26482
Ser. II, MIL-DTL-83723 Ser. III

Self-locking. 320A*006 extender backshell fits AS50151 crimp (MS3450), AS95234, MIL-DTL-26482 Series II, MIL-DTL-83723 Series III connectors. Extender provides extra room for wiring. Back end of extender is identical to connector back end. Attach cable clamp or backshell to back end. Anti-decoupling mechanism provides audible detented coupling and prevents backoff under high vibration. Aluminum or stainless steel.

PART NUMBER

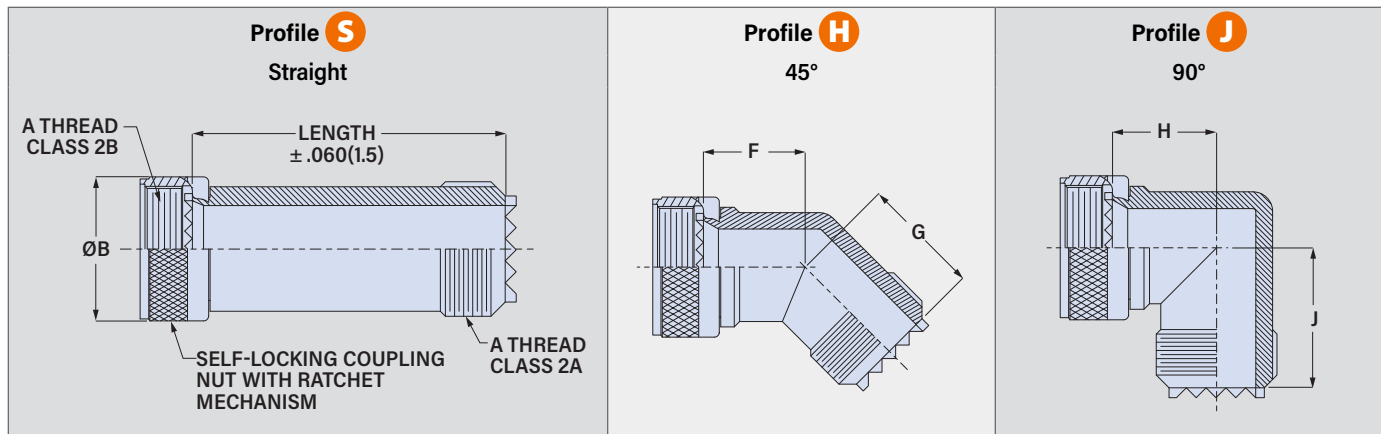
320AS006 M 16 -3

Base P/N	Base Part No.	Profile
	320AS006	S Straight
	320AH006	H 45°
	320AJ006	J 90°

Material/Finish	Material/Finish
M	Alum/ Electroless Nickel
MT	Alum/ Nickel-PTFE
NF	Alum/ Olive Drab Cadmium
ZR	Alum/ Black Zinc-Nickel
TZ	Alum/ Tin-Zinc
ZI	SST/ Passivated

Shell Size **08 10 12 14 16 18 20 22 24 28 32 36 40**

Length	Length	Applies to Profile S only. Length in 1/2 inch increments, 1.5 inch minimum.
-3	1.5 inches	
-4	2.0 inches	
-5	2.5 inches	
-6	3.0 inches	



Shell Size	A Thread	ø B Max.		F Max.		G Max.		H Max.		J Max.	
		in	mm	in	mm	in	mm	in	mm	in	mm
08	0.500-20 UNF	.69	17.5	.986	25.0	.890	22.6	1.096	27.8	1.000	25.4
10	0.625-24 UNEF	.82	20.8	1.016	25.8	.920	23.4	1.166	29.6	1.070	27.2
12	0.750-20 UNEF	.94	23.9	1.038	26.4	.942	23.9	1.226	31.1	1.130	28.7
14	0.875-20 UNEF	1.06	26.9	1.056	26.8	.970	24.6	1.286	32.7	1.190	30.2
16	1.000-20 UNEF	1.17	29.7	1.086	27.6	.990	25.1	1.346	34.2	1.250	31.8
18	1.0625-18 UNEF	1.46	37.1	1.106	28.1	1.010	25.7	1.396	35.5	1.300	33.0
20	1.1875-18 UNEF	1.60	40.6	1.136	28.9	1.040	26.4	1.466	37.2	1.370	34.8
22	1.3125-18 UNEF	1.70	43.2	1.156	29.4	1.060	26.9	1.516	38.5	1.420	36.1
24	1.4375-18 UNEF	1.84	46.7	1.186	30.1	1.090	27.7	1.696	43.1	1.490	37.8
28	1.750-18 UNS	2.01	51.1	1.636	41.6	1.140	29.0	1.826	46.4	1.600	40.6
32	2.000-18 UNS	2.26	57.4	1.766	44.9	1.180	30.0	1.936	49.2	1.690	42.9
36	2.250-16 UN	2.53	64.3	1.876	47.7	1.230	31.2	2.046	52.0	1.800	45.7
40	2.500-16 UN	3.04	77.2	1.986	50.4	1.270	32.3	2.166	55.0	1.910	48.5