

Series 32 Extender Backshells

for MIL-DTL-38999 Series I and II Connectors

320F*006 Extender Backshell, Self-Locking

Self-Locking



Adapter Code F

This accessory fits these connectors:
MIL-DTL-38999 Series I and Series II

Self-locking. 320F*006 extender backshell fits MIL-DTL-38999 Series I and II connectors. Extender provides extra room for wiring. Back end of extender is identical to connector back end. Attach cable clamp or backshell to back end. Anti-decoupling mechanism provides audible detented coupling and prevents backoff under high vibration. Aluminum or stainless steel.

PART NUMBER

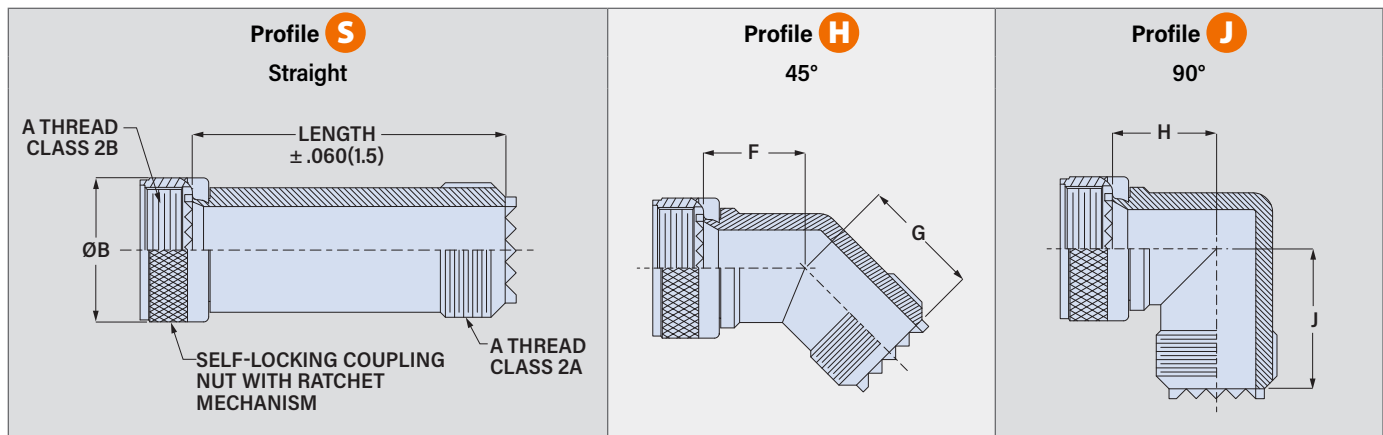
320FS006 M 16 -3

Base P/N	Base Part No.	Profile
	320FS006	S Straight
	320FH006	H 45°
	320FJ006	J 90°

Material/Finish	Material/Finish
M	Alum/ Electroless Nickel
MT	Alum/ Nickel-PTFE
NF	Alum/ Olive Drab Cadmium
ZR	Alum/ Black Zinc-Nickel
TZ	Alum/ Tin-Zinc
ZI	SST/ Passivated

Shell Size	Shell Size									
	38999 Series I					38999 Series II				
	9	11	13	15	17	19	21	23	25	24
	Size Code	08	10	12	14	16	18	20	22	24

Length	Length	Applies to Profile S only. Length in 1/2 inch increments, 1.5 inch minimum.
-3	1.5 inches	
-4	2.0 inches	
-5	2.5 inches	
-6	3.0 inches	



Shell Size	A Thread UNEF-2B	øB Max in mm	F Max. in mm	G Max. in mm	H Max. in mm	J Max. in mm
8/9	0.4375-28	.860 21.8	.986 25.0	.890 22.6	1.096 27.8	1.000 25.4
10/11	0.5625-24	.970 24.6	1.016 25.8	.920 23.4	1.166 29.6	1.070 27.2
12/13	0.6875-24	1.110 28.2	1.038 26.4	.942 23.9	1.226 31.1	1.130 28.7
14/15	0.8125-20	1.210 30.7	1.056 26.8	.970 24.6	1.286 32.7	1.190 30.2
16/17	0.9375-20	1.350 34.3	1.086 27.6	.990 25.1	1.346 34.2	1.250 31.8
18/19	1.0625-18	1.460 37.1	1.106 28.1	1.010 25.7	1.396 35.5	1.300 33.0
20/21	1.1875-18	1.600 40.6	1.136 28.9	1.040 26.4	1.466 37.2	1.370 34.8
22/23	1.3125-18	1.700 43.2	1.156 29.4	1.060 26.9	1.516 38.5	1.420 36.1
24/25	1.4375-18	1.840 46.7	1.186 30.1	1.090 27.7	1.696 43.1	1.490 37.8