

Series 32 Extender Backshells

for MIL-DTL-38999 Series III and IV Connectors

320H*001 Extender Backshell, Spin Coupling



Adapter Code **H**

This accessory fits these connectors:
MIL-DTL-38999 Series III and Series IV

Spin coupling. 320H*001 extender backshell fits MIL-DTL-38999 Series III and IV connectors. Extender provides extra room for wiring. Back end of extender is identical to connector back end. Attach cable clamp or backshell to back end. Aluminum or stainless steel.

PART NUMBER

320HS001 MT 17 -3

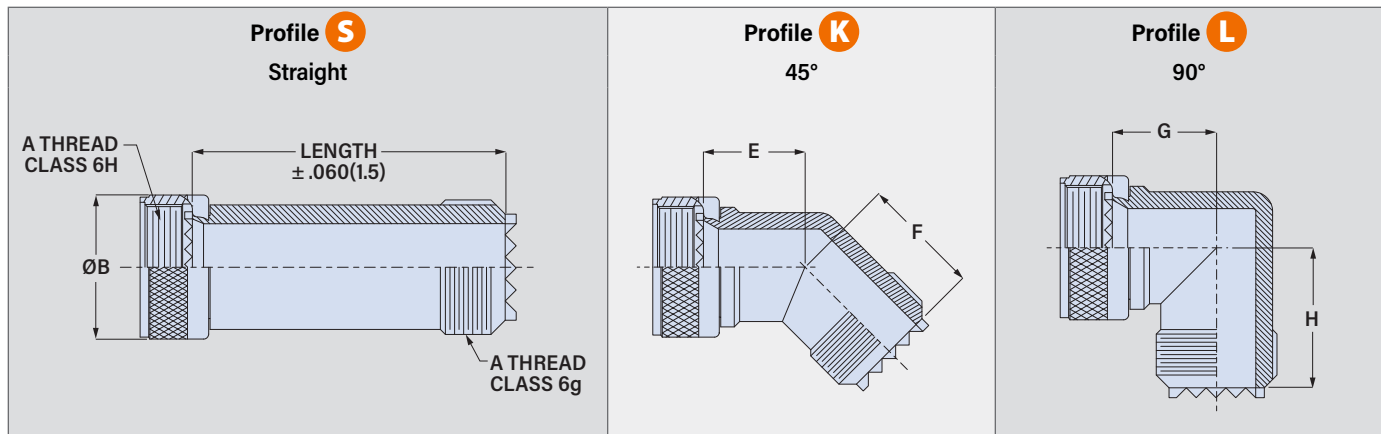
Base P/N	Base Part No.	Profile
	320HS001	S Straight
	320HK001	K 45°
	320HL001	L 90°

Material/Finish	Material/Finish
M	Alum/ Electroless Nickel
MT	Alum/ Nickel-PTFE
NF	Alum/ Olive Drab Cadmium
ZR	Alum/ Black Zinc-Nickel
TZ	Alum/ Tin-Zinc
ZI	SST/ Passivated

Shell Size	Shell Size									
	9	11	13	15	17	19	21	23	25	
	A	B	C	D	E	F	G	H	J	
Size Code	09	11	13	15	17	19	21	23	25	

Length	Length
-2	1.0 inch
-3	1.5 inches
-4	2.0 inches
-5	2.5 inches
-6	3.0 inches

Applies to Profile **S** only.
Length in ½ inch increments.



Shell Size	A Thread	øB Max	E Max.	F Max.	G Max.	H Max.					
		in	mm	in	mm	in	mm				
9 (A)	M12X1.0	.770	19.6	.830	21.1	.890	22.6	.940	23.9	1.000	25.4
11 (B)	M15X1.0	.840	21.3	.860	21.8	.920	23.4	1.010	25.7	1.070	27.2
13 (C)	M18X1.0	.960	24.4	.882	22.4	.942	23.9	1.070	27.2	1.130	28.7
15 (D)	M22X1.0	1.090	27.7	.900	22.9	.970	24.6	1.130	28.7	1.190	30.2
17 (E)	M25X1.0	1.230	31.2	.930	23.6	.990	25.1	1.190	30.2	1.250	31.8
19 (F)	M28X1.0	1.360	34.5	.950	24.1	1.010	25.7	1.240	31.5	1.300	33.0
21 (G)	M31X1.0	1.480	37.6	.980	24.9	1.040	26.4	1.310	33.3	1.370	34.8
23 (H)	M34X1.0	1.600	40.6	1.000	25.4	1.060	26.9	1.360	34.5	1.420	36.1
25 (J)	M37X1.0	1.720	43.7	1.030	26.2	1.090	27.7	1.540	39.1	1.490	37.8