

Series 32 Extender Backshells

for MIL-DTL-38999 Series III and IV Connectors

320H*006 Extender Backshell, Self-Locking

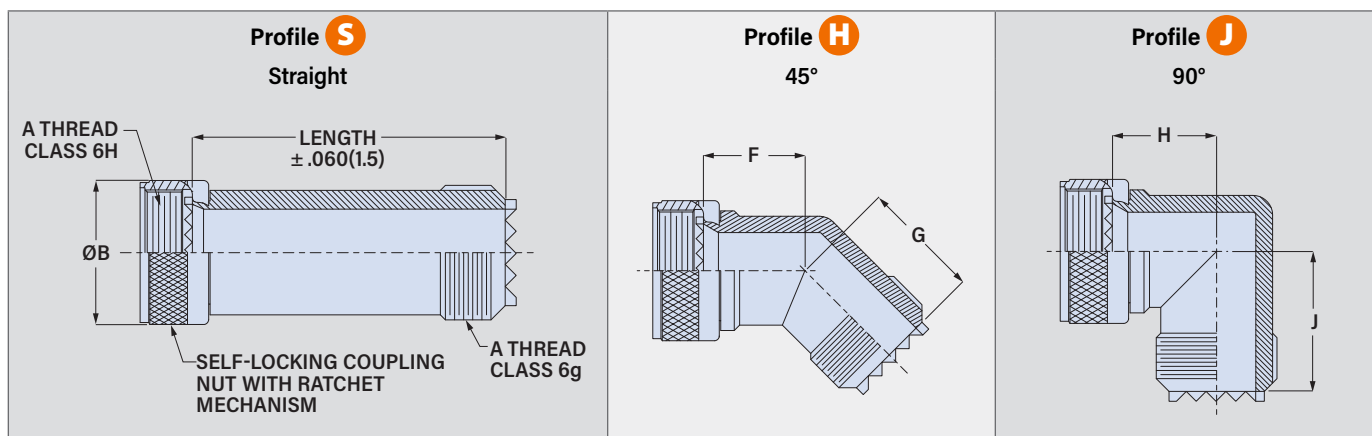
Self-Locking**Adapter Code H**

This accessory fits these connectors:
MIL-DTL-38999 Series III and Series IV

Self-locking. 320H*006 extender backshell fits MIL-DTL-38999 Series III and IV connectors. Extender provides extra room for wiring. Back end of extender is identical to connector back end. Attach cable clamp or backshell to back end. Anti-decoupling mechanism provides audible detented coupling and prevents backoff under high vibration. Aluminum or stainless steel.

PART NUMBER**320HS006 ZR 19 -3**

Base P/N	Base Part No.	Profile	
	320HS006 S	Straight	
	320HH006 H	45°	
	320HJ006 J	90°	
Material/Finish	M	Alum/ Electroless Nickel	
	MT	Alum/ Nickel-PTFE	
	NF	Alum/ Olive Drab Cadmium	
	ZR	Alum/ Black Zinc-Nickel	
	TZ	Alum/ Tin-Zinc	
	ZI	SST/ Passivated	
Shell Size	Shell Size	9 11 13 15 17 19 21 23 25	
	Size Code	09 11 13 15 17 19 21 23 25	
Length	-3	1.5 inches	<i>Applies to Profile S only. Length in ½ inch increments, 1.5 inch minimum.</i>
	-4	2.0 inches	
	-5	2.5 inches	
	-6	3.0 inches	



Shell Size	A Thread	øB Max		F Max.		G Max.		H Max.		J Max.	
		in	mm	in	mm	in	mm	in	mm	in	mm
9 (A)	M12X1.0	.94	24.8	.986	25.0	.890	22.6	1.096	27.8	1.000	25.4
11 (B)	M15X1.0	1.06	26.9	1.016	25.8	.920	23.4	1.166	29.6	1.070	27.2
13 (C)	M18X1.0	1.17	29.7	1.038	26.4	.942	23.9	1.226	31.1	1.130	28.7
15 (D)	M22X1.0	1.29	32.7	1.056	26.8	.970	24.6	1.286	32.7	1.190	30.2
17 (E)	M25X1.0	1.42	36.1	1.086	27.6	.990	25.1	1.346	34.2	1.250	31.8
19 (F)	M28X1.0	1.54	39.1	1.106	28.1	1.010	25.7	1.396	35.5	1.300	33.0
21 (G)	M31X1.0	1.67	42.4	1.136	28.9	1.040	26.4	1.466	37.2	1.370	34.8
23 (H)	M34X1.0	2.01	51.1	1.156	29.4	1.060	26.9	1.516	38.5	1.420	36.1
25 (J)	M37X1.0	2.12	53.8	1.186	30.1	1.090	27.7	1.696	43.1	1.490	37.8