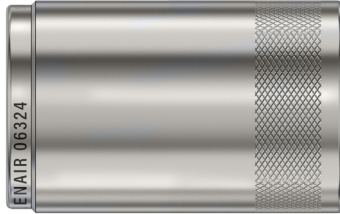


# Series 34 Shorting Cap Backshells

for AS50151 Crimp, M26482 Series II, M83723 Series III, AS95234

## 340AS002 Shorting Cap Backshell, Direct Coupling



**Direct coupling.** Shorting cap backshell fits AS50151 crimp (MS3450), AS95234, MIL-DTL-26482 Series II, MIL-DTL-83723 Series III connectors. Tether backshell with optional attachment strap and lanyard. Aluminum or stainless steel. Attachment strap and hardware are passivated stainless steel.

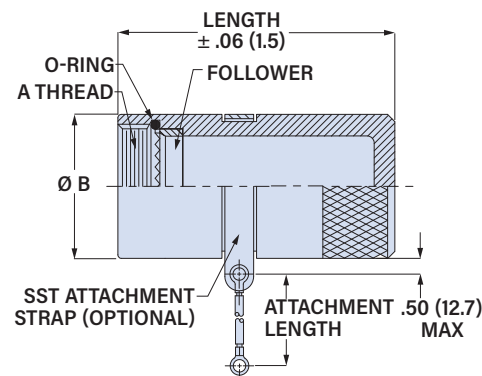
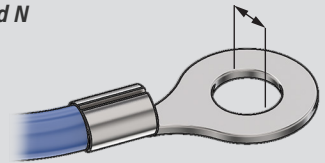
**Adapter Code A**  
AS50151 crimp, AS95234, MIL-DTL-26482 Ser. II, MIL-DTL-83723 Ser. III

### ATTACHMENT TYPES

<b>F</b>		<b>Wire Rope, Blue Nylon Jacket</b> 6/6 nylon over stainless steel rope, stainless steel ring terminal, fair flexibility, good abrasion resistance, -55 to +100 °C
<b>G</b>		<b>Nylon Rope</b> Solid braided nylon cord, black, stainless steel ring terminal, very flexible, good abrasion resistance, good resistance to fuels, .120" (3mm) diameter, -55 to +100 °C
<b>H</b>		<b>Wire Rope, Clear FEP Jacket</b> Clear FEP jacket over SST rope, stainless steel ring terminal, fair flexibility, good abrasion resistance, .100" diameter, -55 to +200 °C
<b>S</b>		<b>Sash Chain</b> #8 sash chain, stainless steel
<b>U</b>		<b>Wire Rope, Black Polyurethane</b> Stainless steel rope with black polyurethane coating, stainless steel ring terminal, very flexible, excellent abrasion resistance, excellent resistance to fuels, .080" (2mm) diameter, -55 to +125 °C

### PART NUMBER

<b>340AS002</b>	<b>M</b>	<b>16</b>	<b>-2</b>	<b>F</b>	<b>12</b>	<b>A</b>
<b>Base P/N</b>	<b>340AS002</b>					
<b>Material/Finish</b>	<b>M</b> Alum/ Electroless Nickel <b>MT</b> Alum/ Nickel-PTFE <b>NF</b> Alum/ Olive Drab Cadmium <b>ZR</b> Alum/ Black Zinc-Nickel <b>TZ</b> Alum/ Tin-Zinc <b>ZI</b> SST/ Passivated					
<b>Shell Size</b>	<b>08 10 12 14 16 18 20 22 24 28 32 36 40</b>					
<b>Length</b>	<b>-2</b> 1.0 inch <b>-3</b> 1.5 inches <b>-4</b> 2.0 inches <b>-5</b> 2.5 inches <b>-6</b> 3.0 inches <i>Length in ½ inch increments.</i>					
<b>Attachment Type</b>	<b>N</b> No Attachment <b>C</b> Attachment Strap Only, No Lanyard <b>F</b> Wire Rope, Blue Nylon Jacket <b>G</b> Nylon Rope <b>H</b> Wire Rope, Clear FEP Jacket <b>S</b> Sash Chain <b>U</b> Wire Rope, Black Polyurethane Jacket					
<b>Attachment Length</b>	<i>Omit for Attachment Types C and N</i> Attachment Length in ½ inch increments. "11" = 5.5 inches.					
<b>Lanyard Ring I.D.</b>	<i>Omit for Attachment Types C and N</i> <b>E</b> .125 (3.2) ± .010 (0.3) <b>A</b> .140 (3.6) ± .010 (0.3) <b>B</b> .167 (4.2) ± .010 (0.3) <b>C</b> .182 (4.6) ± .010 (0.3) <b>D</b> .191 (4.9) ± .010 (0.3) <b>F</b> .218 (5.5) ± .010 (0.3)					



Shell Size	A Thread Class 2B	øB Max. in	øB Max. mm
08	0.500-20 UNF	.65	16.5
10	0.625-24 UNF	.77	19.6
12	0.750-20 UNF	.97	24.6
14	0.875-20 UNF	1.09	27.7
16	1.000-20 UNF	1.22	31.0
18	1.0625-18 UNF	1.22	31.0
20	1.1875-18 UNF	1.34	34.0
22	1.3125-18 UNF	1.47	37.3
24	1.4375-18 UNF	1.59	40.4
28	1.750-18 UNS	1.97	50.0
32	2.000-18 UNS	2.28	57.9
36	2.250-16 UN	2.53	64.3
40	2.500-16 UN	2.78	70.6