

Series 34 Shorting Cap Backshells

for AS50151 Solder Connectors

340BS002 Shorting Cap Backshell, Direct Coupling



Direct coupling. Shorting cap backshell fits AS50151 (MS3100) solder connectors. Backshell includes universal thread adapters as required to assure compatibility with all connector manufacturers. Tether backshell with optional attachment strap and lanyard. Aluminum or stainless steel. Attachment strap and hardware are passivated stainless steel. Silicone O-ring.

Adapter Code B

Fits AS50151 Series 1 AN Type solder Connectors . AS310*1, MS3100.

ATTACHMENT TYPES

F		Wire Rope, Blue Nylon Jacket 6/6 nylon over stainless steel rope, stainless steel ring terminal, fair flexibility, good abrasion resistance, -55 to +100 °C
G		Nylon Rope Solid braided nylon cord, black, stainless steel ring terminal, very flexible, good abrasion resistance, good resistance to fuels, .120" (3mm) diameter, -55 to +100 °C
H		Wire Rope, Clear FEP Jacket Clear FEP jacket over SST rope, stainless steel ring terminal, fair flexibility, good abrasion resistance, .100" diameter, -55 to +200 °C
S		Sash Chain #8 sash chain, stainless steel
U		Wire Rope, Black Polyurethane Stainless steel rope with black polyurethane coating, stainless steel ring terminal, very flexible, excellent abrasion resistance, excellent resistance to fuels, .080" (2mm) diameter, -55 to +125 °C

PART NUMBER

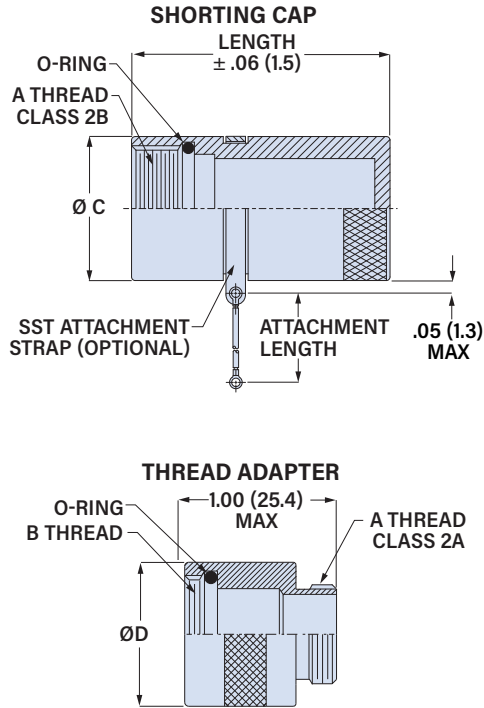
340BS002 M 15 -2 F 12 A A

Base P/N	340BS002																																	
Material/Finish	M Alum/ Electroless Nickel MT Alum/ Nickel-PTFE NF Alum/ Olive Drab Cadmium ZR Alum/ Black Zinc-Nickel TZ Alum/ Tin-Zinc ZI SST/ Passivated																																	
Shell Size	<table border="1"> <thead> <tr> <th>Code</th> <th>Shell Size</th> <th>Code</th> <th>Shell Size</th> </tr> </thead> <tbody> <tr> <td>05</td> <td>10S</td> <td>20</td> <td>22</td> </tr> <tr> <td>08</td> <td>10SL</td> <td>21</td> <td>24</td> </tr> <tr> <td>11</td> <td>12, 12S</td> <td>22</td> <td>28</td> </tr> <tr> <td>14</td> <td>14, 14S</td> <td>23</td> <td>32</td> </tr> <tr> <td>15</td> <td>16, 16S</td> <td>26</td> <td>36</td> </tr> <tr> <td>16</td> <td>18</td> <td>31</td> <td>40</td> </tr> <tr> <td>17</td> <td>20</td> <td></td> <td></td> </tr> </tbody> </table>	Code	Shell Size	Code	Shell Size	05	10S	20	22	08	10SL	21	24	11	12, 12S	22	28	14	14, 14S	23	32	15	16, 16S	26	36	16	18	31	40	17	20			
Code	Shell Size	Code	Shell Size																															
05	10S	20	22																															
08	10SL	21	24																															
11	12, 12S	22	28																															
14	14, 14S	23	32																															
15	16, 16S	26	36																															
16	18	31	40																															
17	20																																	
Length	-2 1.0 inch -3 1.5 inches -4 2.0 inches -5 2.5 inches -6 3.0 inches	<i>Length in 1/2 inch increments.</i>																																
Attachment Type	N No Attachment C Attachment Strap Only, No Lanyard F Wire Rope, Blue Nylon Jacket G Nylon Rope H Wire Rope, Clear FEP Jacket S Sash Chain U Wire Rope, Black Polyurethane Jacket																																	
Attachment Length	<i>Omit for Attachment Types C and N</i> Attachment Length in 1/2 inch increments. "11" = 5.5 inches.																																	
Lanyard Ring I.D.	<i>Omit for Attachment Types C and N</i> E .125 (3.2) ± .010 (0.3) A .140 (3.6) ± .010 (0.3) B .167 (4.2) ± .010 (0.3) C .182 (4.6) ± .010 (0.3) D .191 (4.9) ± .010 (0.3) F .218 (5.5) ± .010 (0.3)																																	
Connector Manufacturer Code	A Universal	<i>Compatible with all manufacturers. Includes additional thread adapter(s) as necessary to fit multiple manufacturers. See following page for thread adapter details.</i>																																

Series 34 Shorting Cap Backshells

for AS50151 Solder Connectors

340BS002 Shorting Cap Backshell, Direct Coupling



Shell Size Code	Shell Size	A		B		øC Max		øD Max	
		Main Backshell Class 2B	Thread Adapter Class 2B	in	mm	in	mm		
05	10S	0.5000-28 UNEF	0.5625-24 UNEF	.724	18.4	.687	17.4		
08	10SL	0.5625-24 UNEF	0.6250-24 UNEF	.724	18.4	.687	17.4		
11	12, 12S	0.6250-24 UNEF	0.6875-24 UNEF	.848	21.5	.812	20.6		
14	14, 14S	0.7500-20 UNEF	N/A	.974	24.7	N/A	N/A		
15	16, 16S	0.8750-20 UNEF	N/A	1.102	28.0	N/A	N/A		
16	18	1.0000-20 UNEF	N/A	1.220	31.0	N/A	N/A		
17	20	1.1250-18 UNEF	1.1250-24 UNS	1.343	34.1	1.312	33.3		
20	22	1.2500-18 UNEF	N/A	1.343	34.1	N/A	N/A		
21	24	1.3750-18 UNEF	N/A	1.468	37.3	N/A	N/A		
22	28	1.6250-18 UNEF	N/A	1.593	40.5	N/A	N/A		
23	32	1.8750-16 UN	1.90625-18 UNS	2.125	54.0	2.062	52.4		
26	36	2.1250-16 UN	2.0625-16 UNS 2.0625-20 UNEF 2.1250-18 UNS	2.375	60.3	2.312	58.7		
31	40	2.3750-16 UN	2.3125-16 UNS	2.625	66.7	2.562	65.1		