

Series 34 Shorting Cap Backshells

for MIL-DTL-38999 Series I and II Connectors

340FS002 Shorting Cap Backshell, Direct Coupling



Adapter Code **F**

This accessory fits these connectors:
MIL-DTL-38999 Series I and Series II

ATTACHMENT TYPES

F **Wire Rope, Blue Nylon Jacket**
6/6 nylon over stainless steel rope, stainless steel ring terminal, fair flexibility, good abrasion resistance, -55 to +100 °C

G **Nylon Rope**
Solid braided nylon cord, black, stainless steel ring terminal, very flexible, good abrasion resistance, good resistance to fuels, .120" (3mm) diameter, -55 to +100 °C

H **Wire Rope, Clear FEP Jacket**
Clear FEP jacket over SST rope, stainless steel ring terminal, fair flexibility, good abrasion resistance, .100" diameter, -55 to +200 °C

S **Sash Chain**
#8 sash chain, stainless steel

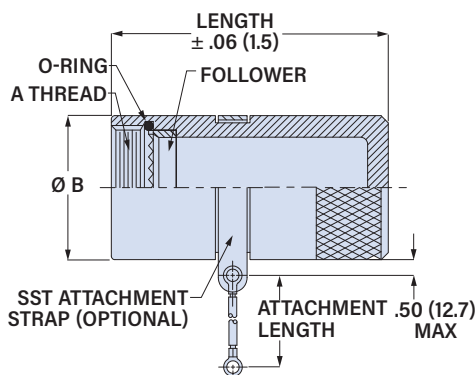
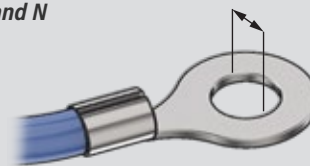
U **Wire Rope, Black Polyurethane**
Stainless steel rope with black polyurethane coating, stainless steel ring terminal, very flexible, excellent abrasion resistance, excellent resistance to fuels, .080" (2mm) diameter, -55 to +125 °C

Direct coupling. Shorting cap backshell fits MIL-DTL-38999 Series I and II connectors. Tether backshell with optional attachment strap and lanyard. Aluminum or stainless steel. Attachment strap and hardware are passivated stainless steel.

PART NUMBER

340FS002 M 16 -2 F 12 A

Base P/N	340FS002																																																
Material/Finish	M Alum/ Electroless Nickel MT Alum/ Nickel-PTFE NF Alum/ Olive Drab Cadmium ZR Alum/ Black Zinc-Nickel TZ Alum/ Tin-Zinc ZI SST/ Passivated																																																
Shell Size	<table border="1"> <tr> <td></td> <td colspan="10">Shell Size</td> </tr> <tr> <td>38999 Series I</td> <td>9</td><td>11</td><td>13</td><td>15</td><td>17</td><td>19</td><td>21</td><td>23</td><td>25</td> <td></td><td></td> </tr> <tr> <td>38999 Series II</td> <td>8</td><td>10</td><td>12</td><td>14</td><td>16</td><td>18</td><td>20</td><td>22</td><td>24</td> <td></td><td></td> </tr> <tr> <td>Size Code</td> <td>08</td><td>10</td><td>12</td><td>14</td><td>16</td><td>18</td><td>20</td><td>22</td><td>24</td> <td></td><td></td> </tr> </table>			Shell Size										38999 Series I	9	11	13	15	17	19	21	23	25			38999 Series II	8	10	12	14	16	18	20	22	24			Size Code	08	10	12	14	16	18	20	22	24		
	Shell Size																																																
38999 Series I	9	11	13	15	17	19	21	23	25																																								
38999 Series II	8	10	12	14	16	18	20	22	24																																								
Size Code	08	10	12	14	16	18	20	22	24																																								
Length	-2 1.0 inch -3 1.5 inches -4 2.0 inches -5 2.5 inches -6 3.0 inches <p style="text-align: right;"><i>Length in ½ inch increments.</i></p>																																																
Attachment Type	N No Attachment C Attachment Strap Only, No Lanyard F Wire Rope, Blue Nylon Jacket G Nylon Rope H Wire Rope, Clear FEP Jacket S Sash Chain U Wire Rope, Black Polyurethane Jacket																																																
Attachment Length	Omit for Attachment Types C and N Attachment Length in ½ inch increments. "11" = 5.5 inches.																																																
Lanyard Ring I.D.	Omit for Attachment Types C and N E .125 (3.2) ± .010 (0.3) A .140 (3.6) ± .010 (0.3) B .167 (4.2) ± .010 (0.3) C .182 (4.6) ± .010 (0.3) D .191 (4.9) ± .010 (0.3) F .218 (5.5) ± .010 (0.3)																																																



Shell Size	A Thread UNEF-2B	øB Max in	øB Max mm
8/9	0.4375-28	.59	15.0
10/11	0.5625-24	.72	18.3
12/13	0.6875-24	.84	21.3
14/15	0.8125-20	.97	24.6
16/17	0.9375-20	1.09	27.7
18/19	1.0625-18	1.22	31.0
20/21	1.1875-18	1.34	34.0
22/23	1.3125-18	1.47	37.3
24/25	1.4375-18	1.59	40.4