

# Series 34 Shorting Cap Backshells

for MIL-DTL-38999 Series III and IV Connectors

## 340HS002 Shorting Cap Backshell, Direct Coupling



**Direct coupling.** Shorting cap backshell fits MIL-DTL-38999 Series III and IV connectors. Tether backshell with optional attachment strap and lanyard. Aluminum or stainless steel. Attachment strap and hardware are passivated stainless steel. Silicone O-ring.

**Adapter Code H**

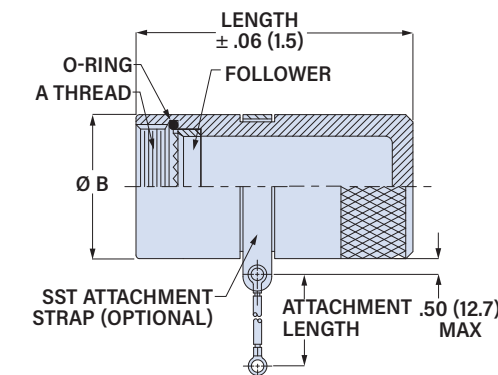
This accessory fits these connectors:  
MIL-DTL-38999 Series III and Series IV

### ATTACHMENT TYPES

<b>F</b>		<b>Wire Rope, Blue Nylon Jacket</b> 6/6 nylon over stainless steel rope, stainless steel ring terminal, very flexible, good abrasion resistance, -55 to +100 °C
<b>G</b>		<b>Nylon Rope</b> Solid braided nylon cord, black, stainless steel ring terminal, very flexible, good abrasion resistance, good resistance to fuels, .120" (3mm) diameter, -55 to +100 °C
<b>H</b>		<b>Wire Rope, Clear FEP Jacket</b> Clear FEP jacket over SST rope, stainless steel ring terminal, fair flexibility, good abrasion resistance, .100" diameter, -55 to +200 °C
<b>S</b>		<b>Sash Chain</b> #8 sash chain, stainless steel
<b>U</b>		<b>Wire Rope, Black Polyurethane</b> Stainless steel rope with black polyurethane coating, stainless steel ring terminal, very flexible, excellent abrasion resistance, excellent resistance to fuels, .080" (2mm) diameter, -55 to +125 °C

### PART NUMBER

<b>Base P/N</b>	<b>340HS002</b>														
<b>Material/Finish</b>	<b>M</b>	Alum/ Electroless Nickel	<b>MT</b>	Alum/ Nickel-PTFE	<b>NF</b>	Alum/ Olive Drab Cadmium	<b>ZR</b>	Alum/ Black Zinc-Nickel	<b>TZ</b>	Alum/ Tin-Zinc	<b>ZI</b>	SST/ Passivated			
<b>Shell Size</b>	Shell Size	9	11	13	15	17	19	21	23	25					
	Size Code	<b>09</b>	<b>11</b>	<b>13</b>	<b>15</b>	<b>17</b>	<b>19</b>	<b>21</b>	<b>23</b>	<b>25</b>					
<b>Length</b>		<b>-2</b>	1.0 inch	<b>-3</b>	1.5 inches	<b>-4</b>	2.0 inches	<b>-5</b>	2.5 inches	<b>-6</b>	3.0 inches	<i>Length in 1/2 inch increments.</i>			
<b>Attachment Type</b>		<b>N</b>	No Attachment	<b>C</b>	Attachment Strap Only, No Lanyard	<b>F</b>	Wire Rope, Blue Nylon Jacket	<b>G</b>	Nylon Rope	<b>H</b>	Wire Rope, Clear FEP Jacket	<b>S</b>	Sash Chain	<b>U</b>	Wire Rope, Black Polyurethane Jacket
<b>Attachment Length</b>	<i>Omit for Attachment Types C and N</i> <i>Attachment Length in 1/2 inch increments. "11" = 5.5 inches.</i>														
<b>Lanyard Ring I.D.</b>	<i>Omit for Attachment Types C and N</i>														
	<b>A</b>	.125 (3.2) ± .010 (0.3)	<b>B</b>	.140 (3.6) ± .010 (0.3)	<b>C</b>	.167 (4.2) ± .010 (0.3)	<b>D</b>	.182 (4.6) ± .010 (0.3)	<b>E</b>	.191 (4.9) ± .010 (0.3)	<b>F</b>	.218 (5.5) ± .010 (0.3)			



Shell Size	A Thread	øB Max in	øB Max mm
9 (A)	M12X1.0-6H	.65	16.5
11 (B)	M15X1.0-6H	.77	19.6
13 (C)	M18X1.0-6H	.89	22.6
15 (D)	M22X1.0-6H	1.03	26.2
17 (E)	M25X1.0-6H	1.15	29.2
19 (F)	M28X1.0-6H	1.28	32.5
21 (G)	M31X1.0-6H	1.41	35.8
23 (H)	M34X1.0-6H	1.53	38.9
25 (J)	M37X1.0-6H	1.66	42.2