

Series 34 Shorting Cap Backshells

for MIL-DTL-38999 Series I and II Connectors

347F129 Shorting Cap Backshell, Composite, Self-Locking

Self-Locking



Composite. Self-locking. Shorting cap backshell fits MIL-DTL-38999 Series I and II connectors. Lightweight composite material resists corrosion. Tether backshell with optional attachment strap and lanyard. High performance thermoplastic. Attachment strap and hardware are passivated stainless steel, silicone O-ring.

PART NUMBER

347F129 XM 12 3 H 7 -06

Base P/N 347F129

Finish
XM Electroless Nickel
XMT Nickel-PTFE
XW Olive Drab Cadmium
Coupling nut is unplated

Shell Size	Shell Size									
	38999 Series I 9	11	13	15	17	19	21	23	25	
	38999 Series II 8	10	12	14	16	18	20	22	24	
	Size Code	08	10	12	14	16	18	20	22	24

Length
2 1.0 inch
3 1.5 inches
4 2.0 inches
5 2.5 inches
6 3.0 inches
Length in 1/2 inch increments

Attachment Type
N No Attachment
C Attachment Strap Only, No Lanyard
F Wire Rope, Blue Nylon Jacket
G Nylon Rope
H Wire Rope, Clear FEP Jacket
S Sash Chain
U Wire Rope, Black Polyurethane Jacket

Attachment Length
Omit for Attachment Types C and N
Attachment Length in 1/2 inch increments. e.g., "11" = 5.5 inches.

Omit for Attachment Types C and N

SMALL RING		LARGE RING			
Code	Ring I.D. ± .010 (0.3)	Code	Ring I.D. ± .015 (0.4)	Code	Ring I.D. ± .015 (0.4)
-06	.125 (3.2)	-095	.312 (7.9)	-109	1.266 (32.2)
-01	.140 (3.6)	-100	.391 (9.9)	-111	1.521 (38.6)
-09	.156 (4.0)	-101	.516 (13.1)	-113	1.766 (44.9)
-05	.167 (4.2)	-103	.641 (16.3)	-115	2.078 (52.8)
-02	.182 (4.6)	-105	.766 (19.5)	-117	2.510 (63.8)
-03	.191 (4.9)	-107	1.016 (25.8)		
-07	.218 (5.5)				

Adapter Code F
 This accessory fits these connectors:
 MIL-DTL-38999 Series I and Series II

ATTACHMENT TYPES

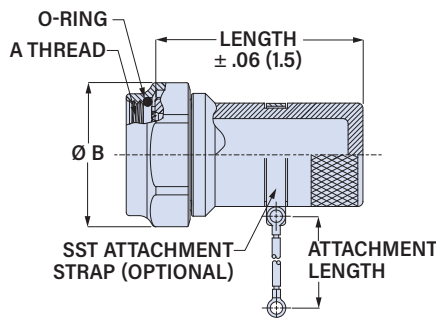
F **Wire Rope, Blue Nylon Jacket**
 6/6 nylon over stainless steel rope, stainless steel ring terminal, fair flexibility, good abrasion resistance, -55 to +100 °C

G **Nylon Rope**
 Solid braided nylon cord, black, stainless steel ring terminal, very flexible, good abrasion resistance, good resistance to fuels, .120" (3mm) diameter, -55 to +100 °C

H **Wire Rope, Clear FEP Jacket**
 Clear FEP jacket over SST rope, stainless steel ring terminal, fair flexibility, good abrasion resistance, .100" diameter, -55 to +200 °C

S **Sash Chain**
 #8 sash chain, stainless steel

U **Wire Rope, Black Polyurethane Jacket**
 Stainless steel rope with black polyurethane coating, stainless steel ring terminal, very flexible, excellent abrasion resistance, excellent resistance to fuels, .080" (2mm) diameter, -55 to +125 °C



Shell Size	A Thread UNEF-2B	øB Max in	mm
8/9	0.4375-28	.86	21.8
10/11	0.5625-24	.98	24.9
12/13	0.6875-24	1.16	29.5
14/15	0.8125-20	1.28	32.5
16/17	0.9375-20	1.41	35.8
18/19	1.0625-18	1.52	38.6
20/21	1.1875-18	1.64	41.7
22/23	1.3125-18	1.77	45.0
24/25	1.4375-18	1.89	48.0