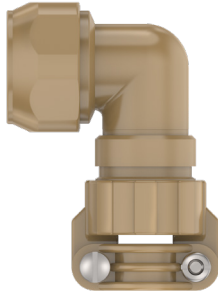


Series 36 Strain Relief Backshells

for AS50151 Crimp, M26482 Series II, M83723 Series III, AS95234

360A*014 Backshell, Strain Relief, Composite, Self-Locking

Self-Locking



Adapter Code A

AS50151 crimp, AS95234, MIL-DTL-26482 Ser. II, MIL-DTL-83723 Ser. III

MATERIAL/FINISH

Coupling nut, saddles: polyetherimide (PEI), unplated
 Body: polyetherimide (PEI)/finish per PN
 Screws, washers: stainless steel/passivated
 Anti-decoupling spring: thermoplastic

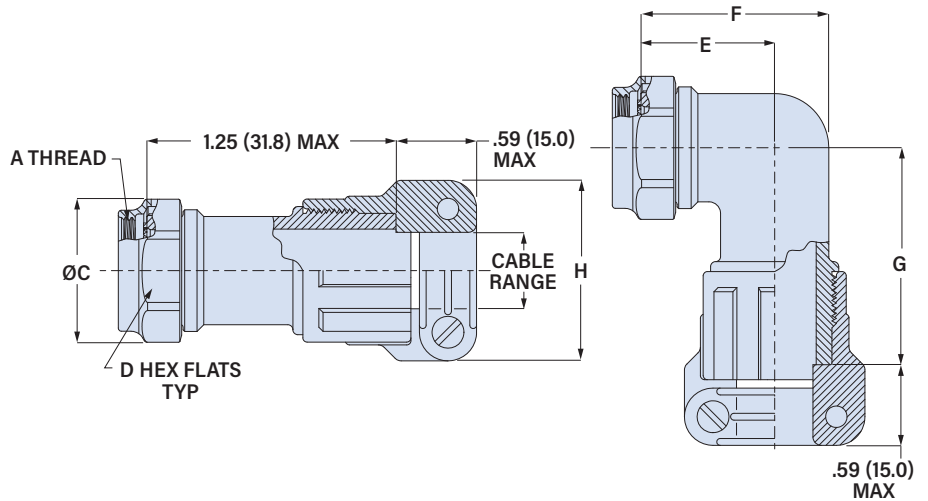
Straight and 90°. Composite. Self-locking. 360A*014 backshell fits AS50151 crimp, AS95234, MIL-DTL-26482 Series II, MIL-DTL-83723 Series III connectors. Lightweight, corrosion-free composite material. Anti-decoupling mechanism provides audible detented coupling and prevents backoff under high vibration. Non-environmental. Full radius saddle clamp has telescoping screws. Polyetherimide, stainless steel screws and lockwashers.

PART NUMBER

	360AS014	XW	18	14
Base P/N	360AS014 Straight 360AW014 90°			
Body Finish	XM Electroless Nickel XW Olive drab Cadmium XB Unplated, Black color XO Unplated, Natural (amber) Color XZN Black Zinc-Nickel			
Shell Size	08 10 12 14 16 18 20 22 24 28			
Entry Size	See Table 1			

TABLE 1: ENTRY SIZE

Entry Size	Cable Range				H Max in	Shell Sizes
	Min in	Max in	Min mm	Max mm		
10	.20	.25	5.1	6.4	1.00	25.4 08-28
12	.29	.38	7.4	9.7	1.23	31.2 10-28
14	.40	.44	10.1	11.2	1.34	34.0 12-28
16	.48	.63	12.2	15.9	1.47	37.3 14-28
18	.55	.69	14.0	17.5	1.56	39.6 16-28
20	.64	.75	16.3	19.1	1.62	41.1 16-28
22	.72	.88	18.3	22.2	1.75	44.5 20-28
24	.79	1.00	20.0	25.4	1.87	47.5 22-28
28	.89	1.13	20.3	28.6	1.97	50.0 24-28
32	.96	1.25	24.4	31.8	2.08	52.8 28



Shell Size	A Thread Class 2B	øC Max in	øC Max mm	D Hex Flats in	D Hex Flats mm	±.06(1.5) in	±.06(1.5) mm	±.09(2.3) in	±.09(2.3) mm	±.09(2.3) in	±.09(2.3) mm	Max Entry Size
08	0.500-20 UNF	.86	21.8	.750	19.1	.69	17.5	.88	22.4	1.06	27.0	10
10	0.625-24 UNEF	.98	24.9	.875	22.2	.75	19.1	1.00	25.4	1.13	28.7	12
12	0.750-20 UNEF	1.16	29.5	1.000	25.4	.81	20.6	1.13	28.7	1.19	30.2	14
14	0.875-20 UNEF	1.28	32.5	1.125	28.6	.88	22.4	1.31	33.3	1.38	35.1	16
16	1.000-20 UNEF	1.41	35.8	1.250	31.8	.94	23.9	1.38	35.1	1.44	36.6	20
18	1.0625-18 UNEF	1.52	38.6	1.375	34.9	.97	24.6	1.44	36.6	1.47	37.3	20
20	1.1875-18 UNEF	1.64	41.7	1.500	38.1	1.06	26.9	1.63	41.4	1.56	39.6	22
22	1.3125-18 UNEF	1.77	45.0	1.625	41.3	1.13	28.7	1.75	44.5	1.63	41.4	24
24	1.4375-18 UNEF	1.89	48.0	1.750	44.5	1.19	30.2	1.88	47.8	1.69	42.9	28
28	1.750-18 UNS	2.16	54.9	2.000	50.8	1.34	34.0	2.13	54.1	1.78	45.2	32