



Series 36 Strain Relief Backshells

for MIL-DTL-28840 Connectors

360G*003 Backshell, Strain Relief, Spin Coupling



Straight, 45° and 90°. Heavy duty saddle clamp. 360G*003 backshell fits MIL-DTL-28840 connectors. Spin coupling, non-environmental. Heavy duty die cast saddle clamp has stainless steel telescoping fillister head screws and lockwashers. Available in aluminum or stainless steel.

Adapter Code G

This accessory fits MIL-DTL-28840 and Glenair Series 901 Connectors

PROFILES

S Straight

H 45°

J 90°

PART NUMBER

360GS003 TZ 15 06 H 3

Base P/N	Profile
360GS003	S Straight
360GH003	H 45° Cut/Weld
360GJ003	J 90° Cut/Weld

Material/Finish	
M	Alum/Electroless Nickel
NF	Alum/Cadmium, Olive Drab
ZR	Alum/Black Zinc-Nickel
TZ	Alum/Tin-Zinc
Z1	SST/Passivated
ZU	SST/Cadmium, Black
ZTZ	SST/Tin-Zinc

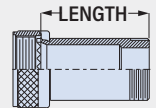
Shell Size	11	13	15	17	19	23	25	29	33
	A	B	C	D	E	F	G	H	J
Size Code	11	13	15	17	19	23	25	29	33

Entry Size	Max Cable Dia.	Shell Size*	Entry Size	Max Cable Dia.	Shell Size*
04	.312 (7.9)	11-33	16	.937 (23.8)	23-33
06	.437 (11.1)	13-33	20	1.250 (31.8)	29-33
08	.562 (14.3)	15-33	24	1.375 (34.9)	29-33
10	.625 (15.9)	15-33	28	1.625 (41.3)	33
12	.750 (19.1)	19-33	32	1.875 (47.6)	-

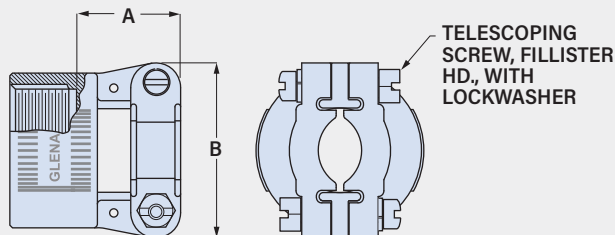
* If selected entry size exceeds shell size range, a Style 2 transition adapter will be included. See Maximum Entry Size for details.

Strain Relief H Saddle Clamp

Length		
3	1.5 inches	Applies to Profile S only. If Entry Size is greater than "Maximum Entry Size" (see next page), then 2 inch minimum applies.
4	2.0 inches	
6	3.0 inches	
8	4.0 inches	



STRAIN RELIEF DIMENSIONS

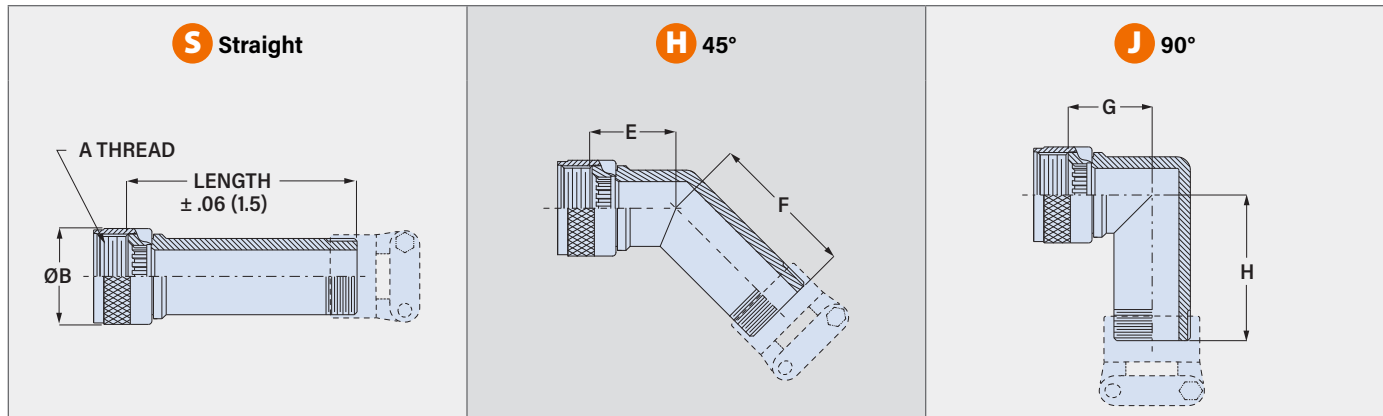


Entry Size	Cable Range							
	A Max		B Max		Min		Max	
	in	mm	in	mm	in	mm	in	mm
04	.780	19.8	.957	24.3	.125	3.2	.312	7.9
06	.780	19.8	1.145	29.1	.250	6.4	.437	11.1
08	.780	19.8	1.332	33.8	.312	7.9	.562	14.3
10	.780	19.8	1.332	33.8	.350	8.9	.625	15.9
12	.811	20.6	1.551	39.4	.500	12.7	.750	19.1
16	.905	23.0	1.770	45.0	.625	15.9	.937	23.8
20	1.092	27.7	2.113	53.7	.875	22.2	1.250	31.8
24	1.124	28.5	2.363	60.0	1.000	25.4	1.375	34.9
28	1.399	35.5	2.770	70.4	1.250	31.8	1.625	41.3
32	1.399	35.5	3.020	76.7	1.437	36.5	1.875	47.6

Series 36 Strain Relief Backshells

for MIL-DTL-28840 Connectors

360G*003 Backshell, Strain Relief, Spin Coupling



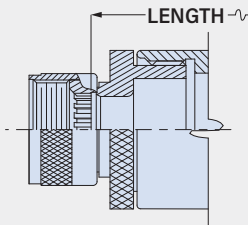
Size Code	Shell Size	A Thread Class 2B	øB Max in	øB Max mm	E Max in	E Max mm	F Max in	F Max mm	G Max in	G Max mm	H Max in	H Max mm
11	A (11)	.750-20 UNEF	.94	23.9	1.24	31.5	.92	23.4	1.38	35.1	1.06	26.9
13	B (13)	.875-20 UNEF	1.02	25.9	1.26	32.0	.94	23.9	1.44	36.6	1.12	28.4
15	C (15)	1.000-20 UNEF	1.21	30.7	1.29	32.8	.97	24.6	1.50	38.1	1.19	30.2
17	D (17)	1.125-18 UNEF	1.36	34.5	1.31	33.3	.99	25.1	1.57	39.9	1.25	31.8
19	E (19)	1.250-18 UNEF	1.53	38.9	1.34	34.0	1.02	25.9	1.63	41.4	1.33	33.8
23	F (23)	1.438-18 UNEF	1.73	43.9	1.38	35.1	1.06	26.9	1.73	43.9	1.41	35.8
25	G (25)	1.562-18 UNEF	1.82	46.2	1.41	35.8	1.09	27.7	1.80	45.7	1.48	37.6
29	H (29)	1.875-16 UN	2.19	55.6	1.58	40.1	1.26	32.0	2.04	51.8	1.72	43.7
33	J (33)	2.062-16 UNS	2.44	62.0	1.62	41.1	1.30	33.0	2.13	54.1	1.81	46.0

MAXIMUM ENTRY SIZE

If the selected entry size exceeds the maximum size in this table, the backshell will have a front adapter. This is called a **Style 2** backshell.

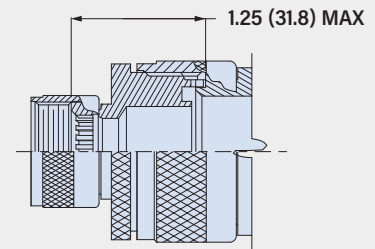
Shell Size	Maximum Entry Size
A (11)	04
B (13)	06
C (15)	10
D (17)	10
E (19)	12
F (23)	16
G (25)	16
H (29)	24
J (33)	28

Style 2 Straight Backshell



For Style 2 straight backshells, the minimum length code increases from 3 (1 ½ inches) to 4 (2 inches).

Style 2 45° and 90° Backshells



For Style 2 45° and 90° backshells, the length increases by 1.25 inches.