

Series 36 Strain Relief Backshells

for MIL-DTL-38999 Series III/IV Connectors

360H*014 Backshell, Strain Relief, Composite, Self-Locking



Self-Locking

Adapter Code H

This accessory fits these connectors:
MIL-DTL-38999 Series III and Series IV

MATERIAL/FINISH

Coupling nut, saddles: polyetherimide (PEI), unplated
Body: polyetherimide (PEI)/finish per PN
Screws, washers: stainless steel/passivated
Anti-decoupling spring: thermoplastic

Straight and 90°. Composite. Self-locking. 360H*014 backshell fits MIL-DTL-38999 Series III and IV connectors. Lightweight, corrosion-free composite material. Anti-decoupling mechanism provides audible detented coupling and prevents backoff under high vibration. Non-environmental. Full radius saddle clamp has telescoping screws. Polyetherimide, stainless steel screws and lockwashers.

PART NUMBER

360HS014 XW 17 14

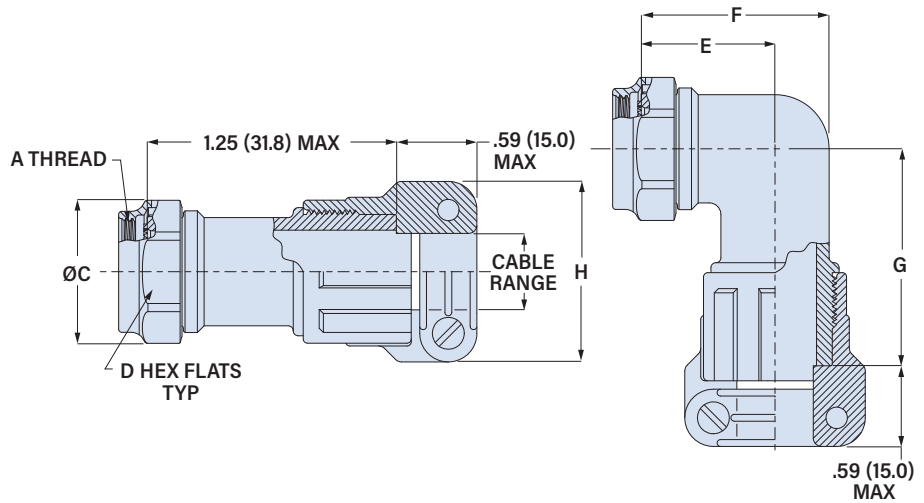
Base P/N	360HS014 Straight 360HW014 90°
Body Finish	XM Electroless Nickel XW Olive drab Cadmium XB Unplated, Black color XO Unplated, Natural (amber) Color XZN Black Zinc-Nickel

Shell Size	Shell Size	9	11	13	15	17	19	21	23	25
	Size Code	A	B	C	D	E	F	G	H	J
		09	11	13	15	17	19	21	23	25

Entry Size See Table 1

TABLE 1: ENTRY SIZE

Entry Size	Cable Range				H Max in	Shell Sizes
	in Min	in Max	mm Min	mm Max		
10	.20	.25	5.1	6.4	1.00	25.4 09-25
12	.29	.38	7.4	9.7	1.23	31.2 11-25
14	.40	.44	10.1	11.2	1.34	34.0 13-25
16	.48	.63	12.2	15.9	1.47	37.3 15-25
18	.55	.69	14.0	17.5	1.56	39.6 17-25
20	.64	.75	16.3	19.1	1.62	41.1 19-25
22	.72	.88	18.3	22.2	1.75	44.5 21-25
24	.79	1.00	20.0	25.4	1.87	47.5 23-25
28	.89	1.13	20.3	28.6	1.97	50.0 25



Shell Size	A Thread	øC Max in	mm	D Flats in	mm	E ± .06(1.5) in	mm	F ± .09(2.3) in	mm	G ± .09(2.3) in	mm	Max Entry Size
09	M12X1.0-6H	.86	21.8	.750	19.1	.69	17.5	.88	22.4	1.06	27.0	10
11	M15X1.0-6H	.98	24.9	.875	22.2	.75	19.1	1.00	25.4	1.13	28.7	12
13	M18X1.0-6H	1.16	29.5	1.000	25.4	.81	20.6	1.13	28.7	1.19	30.2	14
15	M22X1.0-6H	1.28	32.5	1.125	28.6	.88	22.4	1.31	33.3	1.38	35.1	16
17	M25X1.0-6H	1.41	35.8	1.250	31.8	.94	23.9	1.38	35.1	1.44	36.6	20
19	M28X1.0-6H	1.52	38.6	1.375	34.9	.97	24.6	1.44	36.6	1.47	37.3	20
21	M31X1.0-6H	1.64	41.7	1.500	38.1	1.06	26.9	1.63	41.4	1.56	39.6	22
23	M34X1.0-6H	1.77	45.0	1.625	41.3	1.13	28.7	1.75	44.5	1.63	41.4	24
25	M37X1.0-6H	1.89	48.0	1.750	44.5	1.19	30.2	1.88	47.8	1.69	42.9	28