



Series 37 Environmental Backshells

for MIL-DTL-26482 Series I Connectors

370D*002 Backshell, Environmental, Direct Coupling



Environmental. Straight, 45° or 90°. 370D*002 backshell fits MIL-DTL-26482 Series I connectors. Direct coupling, environmentally sealed with O-ring and cable grommet. For use with unshielded jacketed cable. Strain relief styles include saddle clamp or low profile nut. Type H heavy duty saddle clamp has stainless steel telescoping fillister head screws and lockwashers. Available in aluminum or stainless steel. Silicone O-ring and grommet.

Adapter Code D

This accessory fits MIL-DTL-26482 Series I connectors

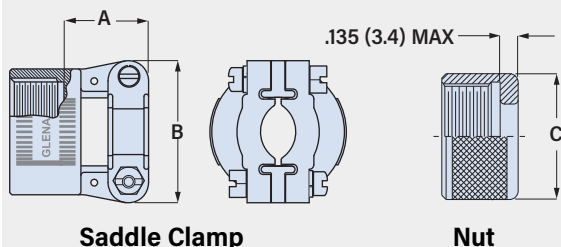
PROFILE SELECTION GUIDE

S Straight	B 45°	
H 45°	M 45°	
A 90°	J 90°	N 90°

PART NUMBER

	370DS002	M	10	04	D	4																																			
Base P/N	370DS002 S Straight 370DA002 A 90° Elbow 370DB002 B 45° Elbow 370DH002 H 45° Cut/Weld 370DJ002 J 90° Cut/Weld 370DM002 M 45° Full Radius 370DN002 N 90° Full Radius																																								
Material/Finish	C Alum/ Black Anodize M Alum/ Electroless Nickel MT Alum/ Nickel-PTFE NF Alum/ Olive Drab Cadmium ZR Alum/ Black Zinc-Nickel TZ Alum/ Tin-Zinc ZI SST/ Passivated (Profiles H, J, M, N, S only)																																								
Shell Size	08 10 12 14 16 18 20 22 24																																								
Entry Size	<table border="1"> <thead> <tr> <th>Entry Size</th> <th>Max Cable Dia.</th> <th>Shell Size*</th> <th>Entry Size</th> <th>Max Cable Dia.</th> <th>Shell Size*</th> </tr> </thead> <tbody> <tr> <td>04</td> <td>.312 (7.9)</td> <td>08-24</td> <td>16</td> <td>.937 (23.8)</td> <td>18-24</td> </tr> <tr> <td>06</td> <td>.437 (11.1)</td> <td>10-24</td> <td>20</td> <td>1.250 (31.8)</td> <td>24</td> </tr> <tr> <td>08</td> <td>.562 (14.3)</td> <td>12-24</td> <td>24</td> <td>1.375 (34.9)</td> <td>*</td> </tr> <tr> <td>10</td> <td>.625 (15.9)</td> <td>14-24</td> <td>28</td> <td>1.625 (41.3)</td> <td>*</td> </tr> <tr> <td>12</td> <td>.750 (19.1)</td> <td>16-24</td> <td>32</td> <td>1.875 (47.6)</td> <td>*</td> </tr> </tbody> </table> <p>* If selected entry size exceeds shell size range, a Style 2 transition adapter will be included. Applies to Profile S only. See Maximum Entry Size for details.</p>	Entry Size	Max Cable Dia.	Shell Size*	Entry Size	Max Cable Dia.	Shell Size*	04	.312 (7.9)	08-24	16	.937 (23.8)	18-24	06	.437 (11.1)	10-24	20	1.250 (31.8)	24	08	.562 (14.3)	12-24	24	1.375 (34.9)	*	10	.625 (15.9)	14-24	28	1.625 (41.3)	*	12	.750 (19.1)	16-24	32	1.875 (47.6)	*				
Entry Size	Max Cable Dia.	Shell Size*	Entry Size	Max Cable Dia.	Shell Size*																																				
04	.312 (7.9)	08-24	16	.937 (23.8)	18-24																																				
06	.437 (11.1)	10-24	20	1.250 (31.8)	24																																				
08	.562 (14.3)	12-24	24	1.375 (34.9)	*																																				
10	.625 (15.9)	14-24	28	1.625 (41.3)	*																																				
12	.750 (19.1)	16-24	32	1.875 (47.6)	*																																				
Strain Relief	H Saddle Clamp D Nut	 Saddle Clamp	 Nut																																						
Length	3 1.5 inches 4 2.0 inches 6 3.0 inches 8 4.0 inches	Applies to Profile S only. If Entry Size is greater than "Maximum Entry Size" (see next page), then 2 inch minimum applies.																																							

STRAIN RELIEF DIMENSIONS



Entry Size	A Max		B Max		øC Max		Cable Range			
	in	mm	in	mm	in	mm	Min*	Max	in	mm
04	.780	19.8	.957	24.3	.755	19.2	.125	3.2	.312	7.9
06	.780	19.8	1.145	29.1	.942	23.9	.250	6.4	.437	11.1
08	.780	19.8	1.332	33.8	1.067	27.1	.312	7.9	.562	14.3
10	.780	19.8	1.332	33.8	1.192	30.3	.350	8.9	.625	15.9
12	.811	20.6	1.551	39.4	1.380	35.1	.500	12.7	.750	19.1
16	.905	23.0	1.770	45.0	1.535	39.0	.625	15.9	.937	23.8
20	1.092	27.7	2.113	53.7	1.848	46.9	.875	22.2	1.250	31.8
24	1.124	28.5	2.363	60.0	2.255	57.3	1.000	25.4	1.375	34.9
28	1.399	35.5	2.770	70.4	2.505	63.6	1.250	31.8	1.625	41.3
32	1.399	35.5	3.020	76.7	2.755	70.0	1.437	36.5	1.875	47.6

* Not applicable to Style D Nut.

Series 37 Environmental Backshells

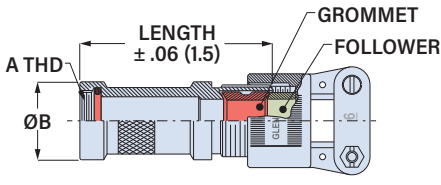
for MIL-DTL-26482 Series I Connectors

370D*002 Backshell, Environmental, Direct Coupling

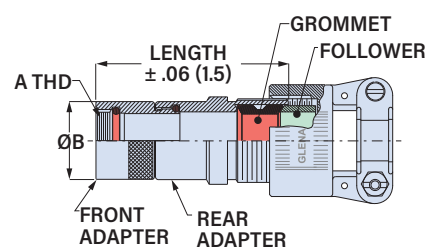
DIMENSIONS AND MAXIMUM ENTRY SIZE

Shell Size	A Thread	ØB Max	J Max	Max Entry Size (1)
08	0.4375-28	.59	1.25	04
10	0.5625-24	.72	1.25	06
12	0.6875-24	.84	1.25	08
14	0.8125-20	.97	1.25	10
16	0.9375-20	1.09	1.56	12
18	1.0625-18	1.22	1.56	16
20	1.1875-18	1.34	1.56	16
22	1.3125-18	1.47	1.56	16
24	1.4375-18	1.59	1.56	20

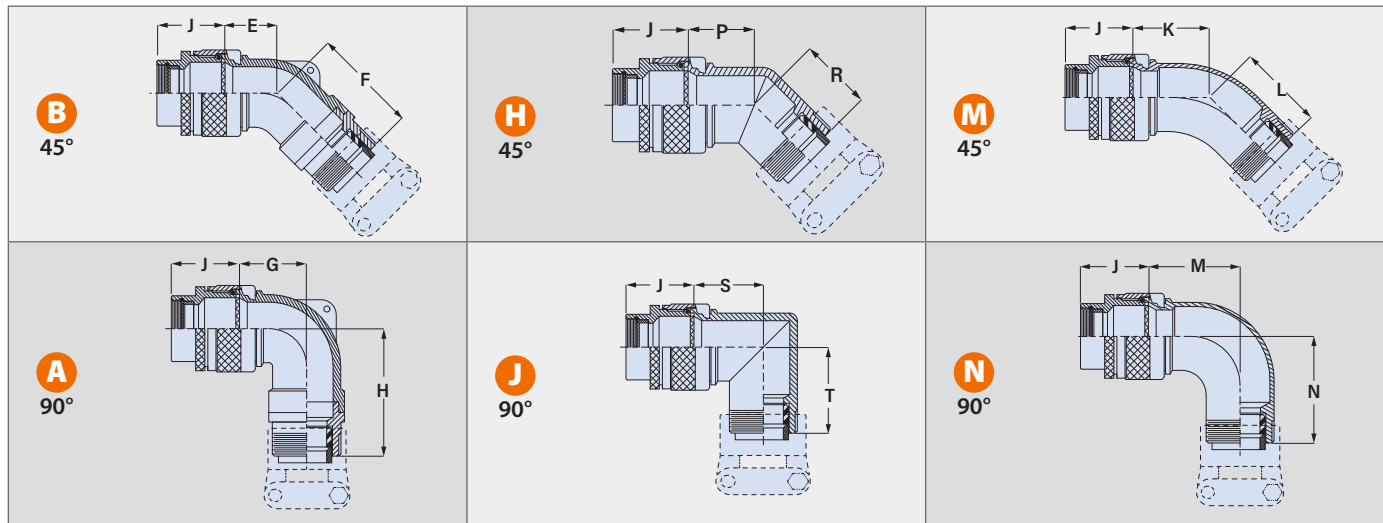
Style 1



Style 2



1) "Max Entry Size" applies only to straight profile backshells. If the selected entry size is larger than the size shown in the table, a Style 2 front adapter will be included.



Cable Entry	E Max	F Max	G Max	H Max	K Max	L Max	M Max	N Max	P Max	R Max	S Max	T Max
04	.567	14.4	1.399	35.5	.636	16.2	1.412	35.9	.861	21.9	1.181	30.0
06	.630	16.0	1.462	37.1	.710	18.0	1.532	38.9	.911	25.8	1.231	31.3
08	.692	17.6	1.524	38.7	.731	18.6	1.552	39.4	.965	27.0	1.285	32.6
10	.755	19.2	1.957	49.7	.825	21.0	1.962	49.8	1.014	29.8	1.334	33.9
12	.848	21.5	2.067	52.5	.988	25.1	2.052	52.1	1.064	27.0	1.384	35.2
16	1.036	26.3	2.254	57.3	1.087	27.6	2.227	56.6	1.172	37.7	1.492	37.9
20	1.130	28.7	2.463	62.6	1.325	33.7	2.395	60.8	1.325	33.7	1.645	41.8
24	1.255	31.9	2.503	63.6	1.337	34.0	2.548	64.7	1.325	33.7	1.645	41.8
28	1.317	33.5	2.598	66.0	1.827	46.4	2.798	71.1	1.428	36.3	1.748	44.4
32	1.348	34.2	2.813	71.5	2.027	51.5	2.818	71.6	N/A	N/A	N/A	N/A