



Series 37 Environmental Backshells

for MIL-DTL-38999 Series I/II Connectors

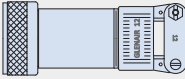
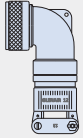
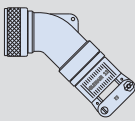
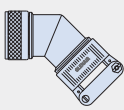
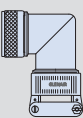
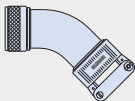
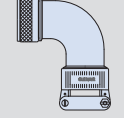
370F*001 Backshell, Environmental, Spin Coupling



Adapter Code **F**



This accessory fits these connectors:
MIL-DTL-38999 Series I and Series II

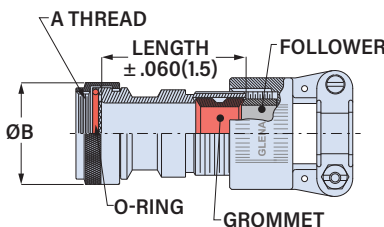
PROFILE SELECTION GUIDE

S Straight 		
A 90° 	B 45° 	H 45° 
J 90° 	M 45° 	N 90° 

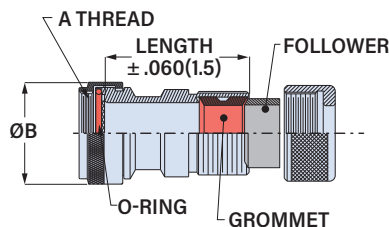
Environmental. Straight, 45° or 90°. 370F*001 backshell fits MIL-DTL-38999 Series I and II connectors. Spin coupling, environmentally sealed with O-ring and cable grommet. For use with unshielded jacketed cable. Strain relief styles include saddle clamp or low profile nut. Type H heavy duty saddle clamp has stainless steel telescoping fillister head screws and lockwashers. Available in aluminum or stainless steel. Silicone O-ring and grommet.

PART NUMBER

		370FS001	M	16	08	D	3	
Base P/N	Base Part No.	Profile						
	370FS001	S Straight						
	370FA001	A 90° Elbow						
	370FB001	B 45° Elbow						
	370FH001	H 45° Cut/Weld						
	370FJ001	J 90° Cut/Weld						
Material/Finish	370FM001	M 45° Full Radius						
	370FN001	N 90° Full Radius						
	C	Alum/ Black Anodize						
	M	Alum/ Electroless Nickel						
	MT	Alum/ Nickel-PTFE						
	NF	Alum/ Olive Drab Cadmium						
Shell Size	ZR	Alum/ Black Zinc-Nickel						
	TZ	Alum/ Tin-Zinc						
	ZI	SST/ Passivated (Profiles H, J, M, N, S only)						
			Shell Size					
			38999 Series I 9 11 13 15 17 19 21 23 25					
			38999 Series II 8 10 12 14 16 18 20 22 24					
		Size Code 08 10 12 14 16 18 20 22 24						
Entry Size	Entry Size	Max Cable Dia.	Shell Size*	Entry Size	Max Cable Dia.	Shell Size*		
	03	.250 (7.9)	08-24	16	.937 (23.8)	20-24		
	04	.312 (7.9)	10-24	20	1.250 (31.8)	24		
	06	.437 (11.1)	12-24	24	1.375 (34.9)	-		
	08	.562 (14.3)	14-24	28	1.625 (41.3)	-		
	10	.625 (15.9)	16-24	32	1.875 (47.6)	-		
		.750 (19.1)	18-24					
* If selected entry size exceeds shell size range, a Style 2 transition adapter will be included. See Maximum Entry Size for details.								
Strain Relief	H	Saddle Clamp						
	D	Nut						
		Saddle Clamp		Nut				
Length	3	1.5 inches	Applies to Profile S only. If Entry Size is greater than "Maximum Entry Size" (see next page), then 2 inch minimum applies.					
	4	2.0 inches						
	6	3.0 inches						
	8	4.0 inches						



Saddle Clamp



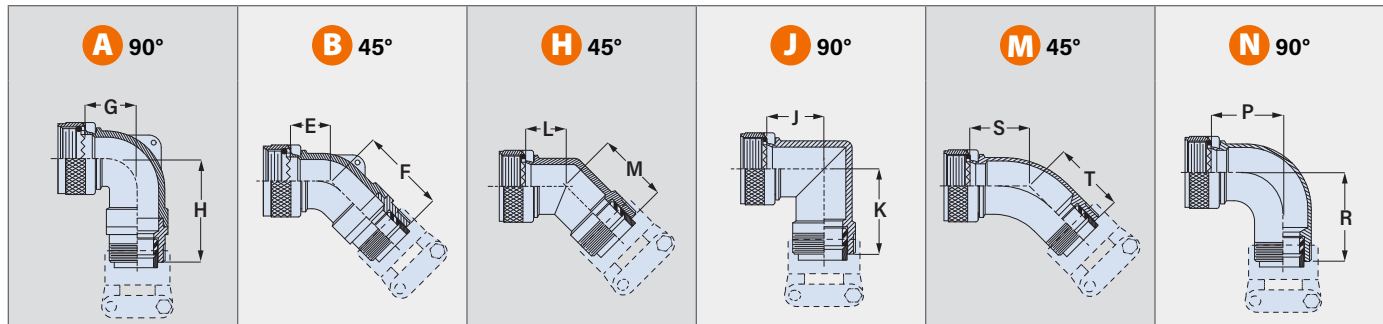
Nut

Shell Size	A Thread UNEF-2B	ØB Max in	ØB Max mm
8/9	0.4375-28	.650	16.5
10/11	0.5625-24	.770	19.6
12/13	0.6875-24	.890	22.6
14/15	0.8125-20	1.020	25.9
16/17	0.9375-20	1.150	29.2
18/19	1.0625-18	1.230	31.2
20/21	1.1875-18	1.360	34.5
22/23	1.3125-18	1.480	37.6
24/25	1.4375-18	1.730	43.9

Series 37 Environmental Backshells

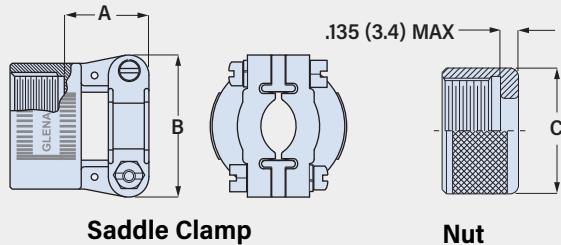
for MIL-DTL-38999 Series I/II Connectors

370F*001 Backshell, Environmental, Spin Coupling



Shell Size	E Max		F Max		G Max		H Max		J Max		K Max		L Max		M Max		P Max		R Max		S Max		T Max	
	in	mm	in	mm	in	mm	in	mm	in	mm	in	mm	in	mm	in	mm	in	mm	in	mm	in	mm	in	mm
8/9	.457	11.6	1.622	41.2	.500	12.7	1.632	41.5	.834	21.2	1.144	29.1	.726	18.5	1.036	26.3	1.125	28.6	1.445	36.7	.817	20.8	1.127	28.6
10/11	.520	13.2	1.682	42.7	.595	15.1	1.752	44.5	.898	22.8	1.209	30.7	.753	19.1	1.062	27.0	1.250	31.8	1.570	39.9	.861	21.9	1.181	30.0
12/13	.582	14.8	1.742	44.2	.610	15.5	1.772	45.0	.956	24.3	1.266	32.1	.777	19.7	1.087	27.6	1.375	34.9	1.695	43.1	.911	23.1	1.231	31.3
14/15	.645	16.4	2.062	52.4	.700	17.8	2.072	52.6	1.018	25.9	1.328	33.7	.802	20.4	1.113	28.3	1.500	38.1	1.820	46.2	.965	24.5	1.285	32.6
16/17	.738	18.7	2.172	55.2	.885	22.5	2.162	54.9	1.081	27.4	1.391	35.3	.828	21.0	1.138	28.9	1.625	41.3	1.945	49.4	1.014	25.8	1.334	33.9
18/19	.926	23.5	2.362	60.0	.975	24.8	2.332	59.2	1.125	28.6	1.435	36.4	.847	21.5	1.157	29.4	1.750	44.5	2.070	52.6	1.064	27.0	1.384	35.2
20/21	.926	23.5	2.362	60.0	.975	24.8	2.332	59.2	1.188	30.2	1.498	38.0	.873	22.2	1.183	30.0	1.875	47.6	2.195	55.8	1.118	28.4	1.438	36.5
22/23	1.020	25.9	2.512	63.8	1.125	28.6	2.442	62.0	1.250	31.8	1.560	39.6	.898	22.8	1.208	30.7	2.000	50.8	2.320	58.9	1.172	29.8	1.492	37.9
24/25	1.020	25.9	2.512	63.8	1.125	28.6	2.442	62.0	1.312	33.3	1.623	41.2	.942	23.5	1.234	31.4	2.125	54.0	2.445	62.1	1.221	31.0	1.541	39.1

STRAIN RELIEF DIMENSIONS



Entry Size	A Max		B Max		øC Max		Cable Range			
	in	mm	in	mm	in	mm	Min*	Max	in	mm
03	.780	19.8	.957	24.3	.630	16.0	.125	3.2	.250	6.4
04	.780	19.8	.957	24.3	.755	19.2	.125	3.2	.312	7.9
06	.780	19.8	1.145	29.1	.942	23.9	.250	6.4	.437	11.1
08	.780	19.8	1.332	33.8	1.067	27.1	.312	7.9	.562	14.3
10	.780	19.8	1.332	33.8	1.192	30.3	.350	8.9	.625	15.9
12	.811	20.6	1.551	39.4	1.380	35.1	.500	12.7	.750	19.1
16	.905	23.0	1.770	45.0	1.535	39.0	.625	15.9	.937	23.8
20	1.092	27.7	2.113	53.7	1.848	46.9	.875	22.2	1.250	31.8
24	1.124	28.5	2.363	60.0	2.255	57.3	1.000	25.4	1.375	34.9
28	1.399	35.5	2.770	70.4	2.505	63.6	1.250	31.8	1.625	41.3
32	1.399	35.5	3.020	76.7	2.755	70.0	1.437	36.5	1.875	47.6

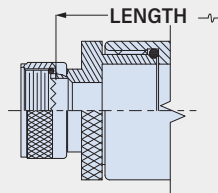
* Not applicable to Style D Nut.

MAXIMUM ENTRY SIZE

If the selected entry size exceeds the maximum size in this table, the backshell will have a front adapter. This is called a **Style 2** backshell.

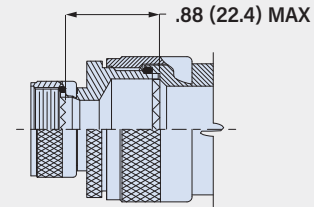
Shell Size	Maximum Entry Size
8/9	03
10/11	04
12/13	06
14/15	08
16/17	10
18/19	12
20/21	12
22/23	16
24/25	20

Style 2 Straight Backshell



The minimum length code increases from 3 (1 1/2 inches) to 4 (2 inches).

Style 2 45° and 90° Backshells



For 45° and 90° backshells, the length increases by .88 inches.