

Series 37 Environmental Backshells

for Series 80 Mighty Mouse Connectors

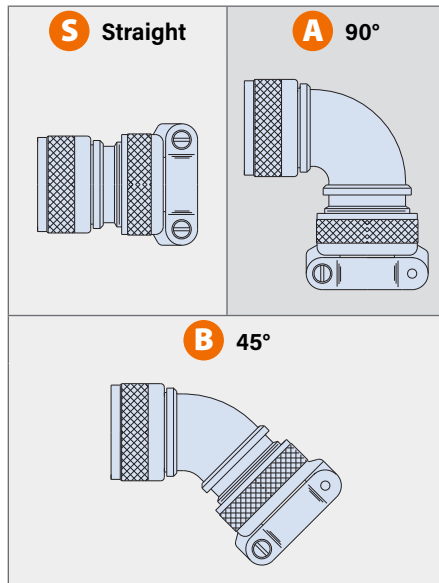
370M*038 Backshell, Environmental, Spin Coupling



Adapter Code M

This accessory fits Series 80 Mighty Mouse Connectors

PROFILE SELECTION GUIDE



APPLICATION NOTE

This backshell has a *full radius* saddle clamp. This type of strain relief is designed to be fully bottomed onto the frame. Build up cable diameter with tape or sleeve to meet the diameter of the fully closed clamp.

Environmental. Low profile. Straight, 45°, and 90°. 370M*038 backshell fits Glenair Series 80 Mighty Mouse connectors. Environmentally sealed with O-rings. For use with unshielded cable. Strain relief styles include full radius saddle clamp or low profile nut. Saddle clamp has stainless steel screws and lockwashers. Available in aluminum or stainless steel. Silicone O-rings.

PART NUMBER

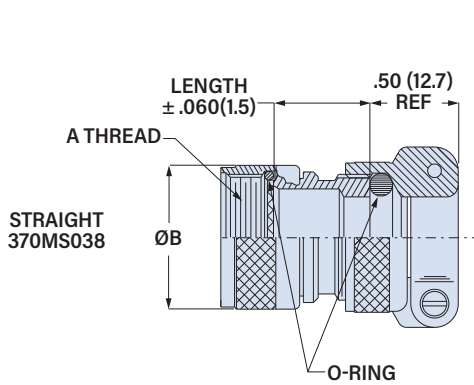
370MS038 MT 13 08 -8

| | | | | | | | |
|-----------------|-----------------------------------|---------------------------|----------------|------------------|-------------|--|----------------|
| Base P/N | Base Part No. Profile | | | | | | |
| | 370MS038 S Straight | | | | | | |
| | 370MB038 B 45° | | | | | | |
| | 370MA038 A 90° | | | | | | |
| Material/Finish | C Alum/Black Anodize | | | | | | |
| | M Alum/Electroless Nickel | | | | | | |
| | MT Alum/Nickel-PTFE | | | | | | |
| | NF Alum/Olive Drab Cadmium | | | | | | |
| | ZR Alum/Black Zinc-Nickel | | | | | | |
| | TZ Alum/Tin-Zinc | | | | | | |
| | ZI SST/Passivated | | | | | | |
| Shell Size | Shell Size | | | | | | |
| | Size Code | Series 800, 801, 803, 804 | Series 805 | A Thread UNEF-2B | | | |
| | 05 | 5 | N/A | 0.250-32 | | | |
| | 06 | 6 | N/A | 0.3125-32 | | | |
| | 11 | N/A | 8 | 0.3750-32 | | | |
| | 07 | 7 | 9 | 0.4375-28 | | | |
| | 08 | 8 | 10 | 0.500-28 | | | |
| | 09 | 9 | 11 | 0.5625-24 | | | |
| | 10 | 10 | 12 | 0.625-24 | | | |
| | 12 | 11, 12, 13 | 13 | 0.6875-24 | | | |
| | 13 | N/A | 15 | 0.750-20 | | | |
| | 14 | 14, 15, 16, 17 | 18, 19 | 0.9375-20 | | | |
| | 16 | 19 | 21 | 1.0625-18 | | | |
| | 17 | 21 | 23 | 1.1875-18 | | | |
| | Entry Size | Entry Size | Cable Dia. Min | Cable Dia. Max | Entry Size | Cable Dia. Min | Cable Dia. Max |
| | | 01 | .031 | .109 | 08 | .453 | .547 |
| | | 02 | .078 | .172 | 09 | .515 | .609 |
| 03 | | .140 | .234 | 10 | .578 | .672 | |
| 04 | | .203 | .297 | 11 | .640 | .734 | |
| 05 | | .265 | .359 | 12 | .765 | .859 | |
| 06 | | .328 | .422 | 13 | .906 | 1.000 | |
| 07 | | .390 | .484 | | | | |
| Length | | Length Code | Length | Length Code | Length | Length applies to Profile S (straight) only, in 1/8 inch increments. | |
| | | 5 | .63 (16.0) | 10 | 1.25 (31.8) | | |
| | 6 | .75 (19.1) | 12 | 1.50 (38.1) | | | |
| | 8 | 1.00 (25.4) | 16 | 2.00 (50.8) | | | |
| Strain Relief | Omit for saddle clamp | | | | | | |
| | N | Nut | | | | | |

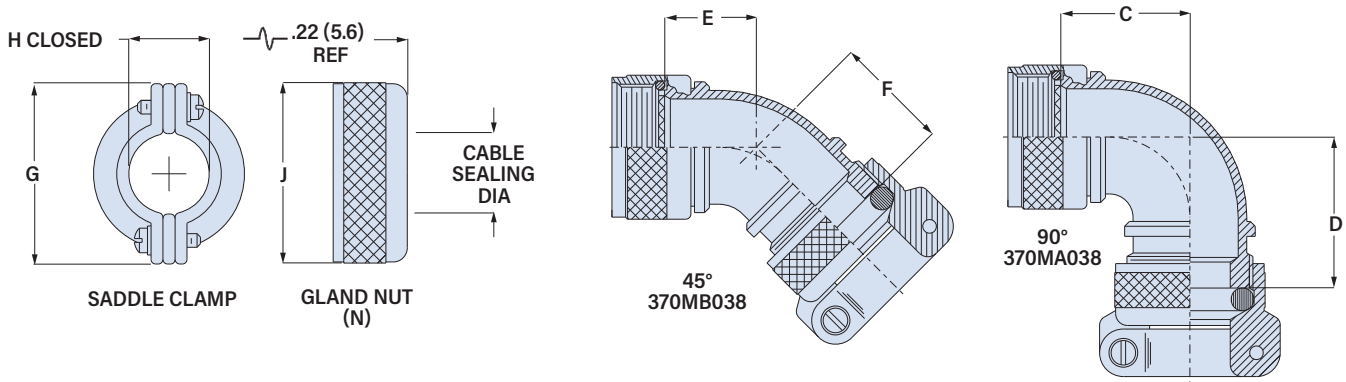
Series 37 Environmental Backshells

for Series 80 Mighty Mouse Connectors

370M*038 Backshell, Environmental, Spin Coupling



| Size Code | Shell Size Series | | A Thread UNEF-2B | øB Max | |
|-----------|--------------------|------------|------------------|--------|------|
| | 800, 801, 803, 804 | Series 805 | | in | mm |
| 05 | 5 | N/A | 0.250-32 | .470 | 11.9 |
| 06 | 6 | N/A | 0.3125-32 | .530 | 13.5 |
| 11 | N/A | 8 | 0.3750-32 | .570 | 14.5 |
| 07 | 7 | 9 | 0.4375-28 | .637 | 16.2 |
| 08 | 8 | 10 | 0.500-28 | .700 | 17.8 |
| 09 | 9 | 11 | 0.5625-24 | .758 | 19.3 |
| 10 | 10 | 12 | 0.625-24 | .819 | 20.8 |
| 12 | 11, 12, 13 | 13 | 0.6875-24 | .896 | 22.8 |
| 13 | N/A | 15 | 0.750-20 | .930 | 23.6 |
| 14 | 14, 15, 16, 17 | 18, 19 | 0.9375-20 | 1.137 | 28.9 |
| 16 | 19 | 21 | 1.0625-18 | 1.230 | 31.2 |
| 17 | 21 | 23 | 1.1875-18 | 1.387 | 35.2 |



| Entry Size | Cable Sealing Dia. | | | | C Max | | | | D Max | | | | E Max | | F Max | | G Typ. | | øH Closed | | øJ | |
|------------|--------------------|--------|--------|--------|-------|------|-------|------|-------|------|------|------|-------|------|-------|------|--------|------|-----------|----|----|----|
| | Min in | Min mm | Max in | Max mm | in | mm | in | mm | in | mm | in | mm | in | mm | in | mm | in | mm | in | mm | in | mm |
| 01 | .031 | 0.8 | .109 | 2.8 | .724 | 18.4 | .702 | 17.8 | .603 | 15.3 | .581 | 14.8 | .496 | 12.6 | .11 | 2.8 | .398 | 10.1 | | | | |
| 02 | .078 | 2.0 | .172 | 4.4 | .724 | 18.4 | .702 | 17.8 | .603 | 15.3 | .581 | 14.8 | .582 | 14.8 | .17 | 4.3 | .460 | 11.7 | | | | |
| 03 | .140 | 3.6 | .234 | 5.9 | .724 | 18.4 | .702 | 17.8 | .603 | 15.3 | .581 | 14.8 | .656 | 16.7 | .23 | 5.8 | .523 | 13.3 | | | | |
| 04 | .203 | 5.2 | .297 | 7.5 | .786 | 20.0 | .764 | 19.4 | .629 | 16.0 | .607 | 15.4 | .726 | 18.4 | .30 | 7.6 | .585 | 14.9 | | | | |
| 05 | .265 | 6.7 | .359 | 9.1 | .786 | 20.0 | .764 | 19.4 | .629 | 16.0 | .607 | 15.4 | .885 | 22.5 | .36 | 9.1 | .647 | 16.4 | | | | |
| 06 | .328 | 8.3 | .422 | 10.7 | .848 | 21.5 | .826 | 21.0 | .655 | 16.6 | .633 | 16.1 | .952 | 24.2 | .42 | 10.7 | .710 | 18.0 | | | | |
| 07 | .390 | 9.9 | .484 | 12.3 | .848 | 21.5 | .826 | 21.0 | .655 | 16.6 | .633 | 16.1 | 1.018 | 25.9 | .48 | 12.2 | .773 | 19.6 | | | | |
| 08 | .453 | 11.5 | .547 | 13.9 | .911 | 23.1 | .889 | 22.6 | .707 | 18.0 | .685 | 17.4 | 1.084 | 27.5 | .55 | 14.0 | .835 | 21.2 | | | | |
| 09 | .515 | 13.1 | .609 | 15.5 | .911 | 23.1 | .889 | 22.6 | .707 | 18.0 | .685 | 17.4 | 1.148 | 29.2 | .61 | 15.5 | .897 | 22.8 | | | | |
| 10 | .578 | 14.7 | .672 | 17.1 | .973 | 24.7 | .951 | 24.2 | .733 | 18.6 | .711 | 18.1 | 1.211 | 30.8 | .67 | 17.0 | .959 | 24.4 | | | | |
| 11 | .640 | 16.3 | .734 | 18.6 | .973 | 24.7 | .951 | 24.2 | .733 | 18.6 | .711 | 18.1 | 1.273 | 32.3 | .73 | 18.5 | 1.021 | 25.9 | | | | |
| 12 | .765 | 19.4 | .859 | 21.8 | 1.036 | 26.3 | 1.014 | 25.8 | .785 | 19.9 | .763 | 19.4 | 1.400 | 35.6 | .86 | 21.8 | 1.083 | 27.5 | | | | |
| 13 | .906 | 23.0 | 1.000 | 25.4 | 1.098 | 27.9 | 1.076 | 27.3 | .811 | 20.6 | .789 | 20.0 | 1.539 | 39.1 | .99 | 25.1 | 1.145 | 29.1 | | | | |