

# Series 38 EMI Backshells

for AS50151 Solder Connectors

## 380B\*002 EMI Backshell, Direct Coupling



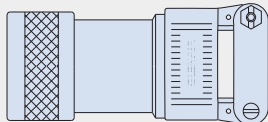
**Straight, 45° or 90°. Cone and ring braid shield termination.** 380B\*002 backshell fits AS50151 (MS3100) solder connectors. Direct coupling. For use with shielded cable. Type H heavy duty saddle clamp has stainless steel telescoping fillister head screws and lockwashers. Available in aluminum or stainless steel.

### Adapter Code **B**

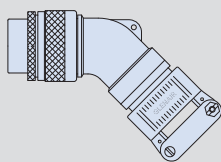
Fits AS50151 Series 1 AN Type solder Connectors . AS310\*1, MS3100.

### PROFILE SELECTION GUIDE

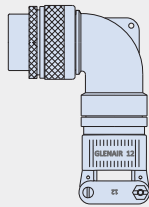
#### **S** Straight



#### **B** 45°



#### **A** 90°



### PART NUMBER

**380BA002 NF 15 08 H A**

**Base P/N**  
**380BS002** **S** Straight  
**380BA002** **A** 90° Elbow  
**380BB002** **B** 45° Elbow

**Material/Finish**  
**M** Alum/ Electroless Nickel  
**MT** Alum/ Nickel-PTFE  
**NF** Alum/ Olive Drab Cadmium  
**ZR** Alum/ Black Zinc-Nickel  
**TZ** Alum/ Tin-Zinc  
**Z1** SST/ Passivated (Profile S only)

Shell Size	Code	Shell Size	Code	Shell Size
<b>05</b>	10S	<b>20</b>	22	
<b>08</b>	10SL	<b>21</b>	24	
<b>11</b>	12, 12S	<b>22</b>	28	
<b>14</b>	14, 14S	<b>23</b>	32	
<b>15</b>	16, 16S	<b>26</b>	36	
<b>16</b>	18	<b>31</b>	40	
<b>17</b>	20			

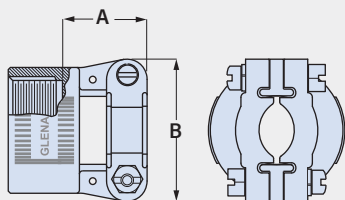
**Entry Size** See Table 1

**Strain Relief** **H** Saddle Clamp

**Length**  
**5** 2.5 inches  
**6** 3.0 inches  
**7** 3.5 inches  
**8** 4.0 inches  
*Applies to Profile **S** only.  
 If Entry Size is greater than "Maximum Entry Size", then 3 inch minimum applies.*

**Connector Manufacturer Code**  
**A** Universal  
*Compatible with all manufacturers.  
 includes additional thread adapter(s) as necessary to fit multiple manufacturers. See following page for thread dimensions.*

**TABLE 1: ENTRY SIZE**

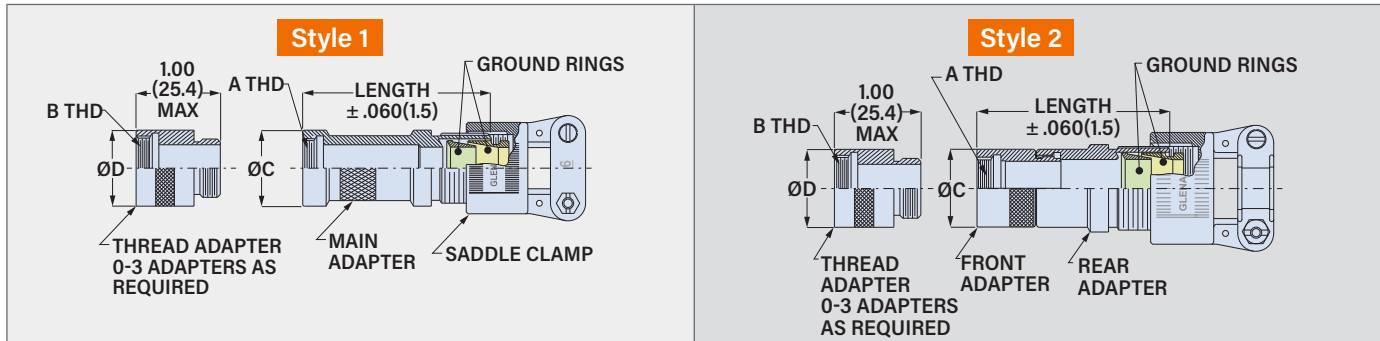


Entry Size	A Max		B Max		Cable Range				Profile <b>S</b> Shell Size Range <sup>(1)</sup>	
	in	mm	in	mm	Min in	Min mm	Max in	Max mm		
<b>04</b>	.780	19.8	.957	24.3	.125	3.2	.312	7.9	10S-40	<i>(1) If selected entry size exceeds shell size range, a Style 2 transition adapter will be included. See next page.</i>
<b>06</b>	.780	19.8	1.145	29.1	.250	6.4	.437	11.1	10SL-40	
<b>08</b>	.780	19.8	1.332	33.8	.312	7.9	.562	14.3	14-40	
<b>10</b>	.780	19.8	1.332	33.8	.350	8.9	.625	15.9	14-40	
<b>12</b>	.811	20.6	1.551	39.4	.500	12.7	.750	19.1	16-40	
<b>16</b>	.905	23.0	1.770	45.0	.625	15.9	.937	23.8	20-40	
<b>20</b>	1.092	27.7	2.113	53.7	.875	22.2	1.250	31.8	24-40	
<b>24</b>	1.124	28.5	2.363	60.0	1.000	25.4	1.375	34.9	28-40	
<b>28</b>	1.399	35.5	2.770	70.4	1.250	31.8	1.625	41.3	32-40	
<b>32</b>	1.399	35.5	3.020	76.7	1.437	36.5	1.875	47.6	40	

# Series 38 EMI Backshells

for AS50151 Solder Connectors

## 380B\*002 EMI Backshell, Direct Coupling

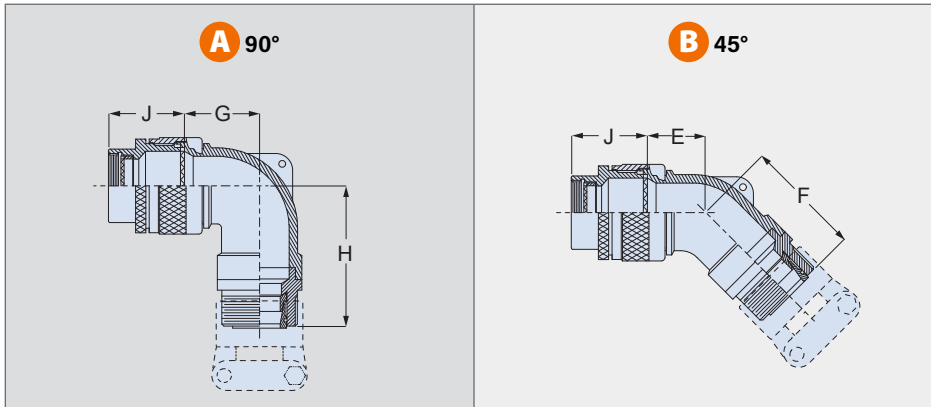


Shell Code	Shell Size	A Class 2B	B Class 2B	øC Max in	øC Max mm	øD Max in	øD Max mm	Max. Entry Size (I)
05	10S	0.5000-28 UNEF	0.5625-24 UNEF	.724	18.4	.687	17.4	04
08	10SL	0.5625-24 UNEF	0.6250-24 UNEF	.724	18.4	.687	17.4	06
11	12, 12S	0.6250-24 UNEF	0.6875-24 UNEF	.848	21.5	.812	20.6	06
14	14, 14S	0.7500-20 UNEF	N/A	.974	24.7	N/A	N/A	10
15	16, 16S	0.8750-20 UNEF	N/A	1.102	28.0	N/A	N/A	10
16	18	1.0000-20 UNEF	N/A	1.220	31.0	N/A	N/A	12
17	20	1.1250-18 UNEF	1.1250-24 UNS	1.343	34.1	1.312	33.3	16
20	22	1.2500-18 UNEF	N/A	1.343	34.1	N/A	N/A	16
21	24	1.3750-18 UNEF	N/A	1.468	37.3	N/A	N/A	20
22	28	1.6250-18 UNEF	N/A	1.593	40.5	N/A	N/A	24
23	32	1.8750-16 UN	1.90625-18 UNS	2.125	54.0	2.062	52.4	28
			2.0625-16 UNS					
26	36	2.1250-16 UN	2.0625-20 UNEF	2.375	60.3	2.312	58.7	28
			2.1250-18 UNS					
31	40	2.3750-16 UN	2.3125-16 UNS	2.625	66.7	2.562	65.1	32

Notes

- "Max. Entry Size" applies only to straight profile backshells. If the selected entry size is larger than the maximum entry shown in the table, a *Style 2* front adapter will be included.

Shell Code	Shell Size	J Max in	J Max mm
05	10S	1.25	31.8
08	10SL	1.25	31.8
11	12, 12S	1.25	31.8
14	14, 14S	1.25	31.8
15	16, 16S	1.56	39.6
16	18	1.56	39.6
17	20	1.56	39.6
20	22	1.56	39.6
21	24	1.56	39.6
22	28	1.56	39.6
23	32	1.75	44.5
26	36	1.75	44.5
31	40	2.19	55.6



Entry Size	E Max in	E Max mm	F Max in	F Max mm	G Max in	G Max mm	H Max in	H Max mm
04	.567	14.4	1.630	41.4	.636	16.2	1.200	30.5
06	.630	16.0	1.250	31.8	.710	18.0	1.320	33.5
08	.692	17.6	1.312	33.3	.731	18.6	1.340	34.0
10	.755	19.2	1.655	42.0	.825	21.0	1.660	42.2
12	.848	21.5	1.765	44.8	.988	25.1	1.750	44.5
16	1.036	26.3	1.953	49.6	1.087	27.6	1.925	48.9
20	1.130	28.7	2.098	53.3	1.325	33.7	2.033	51.6
24	1.255	31.9	2.155	54.7	1.337	34.0	2.200	55.9
28	1.317	33.5	2.250	57.2	1.827	46.4	2.450	62.2
32	1.348	34.2	2.343	59.5	2.027	51.5	2.450	62.2