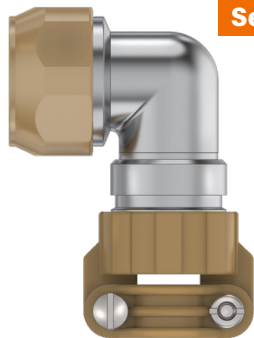




# Series 38 EMI Backshells

for MIL-DTL-38999 Series I/II Connectors

## 380F\*099 EMI Backshell, Composite, Self-Locking



**Self-Locking**

**Adapter Code F**

This accessory fits these connectors:  
MIL-DTL-38999 Series I and Series II

### MATERIAL/FINISH

Coupling nut, saddles: glass-reinforced polyetherimide (PEI), unplated, amber color  
Body and shield termination ring: polyetherimide (PEI)/finish per PN  
Screws, washers: stainless steel/passivated  
Anti-decoupling spring: thermoplastic

**Shielded. Corrosion proof. Self locking.** 380F\*099 backshell fits MIL-DTL-38999 Series I / II connectors. Lightweight, corrosion-free composite material. Anti-decoupling mechanism provides audible detented coupling and prevents backoff under high vibration. Non-environmental. Cone and ring braid shield termination. Glass-reinforced thermoplastic, telescoping stainless steel clamp screws.

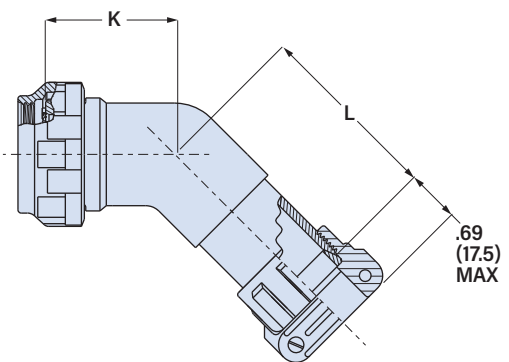
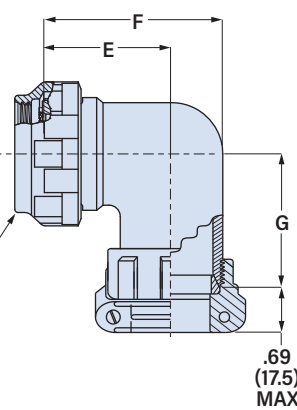
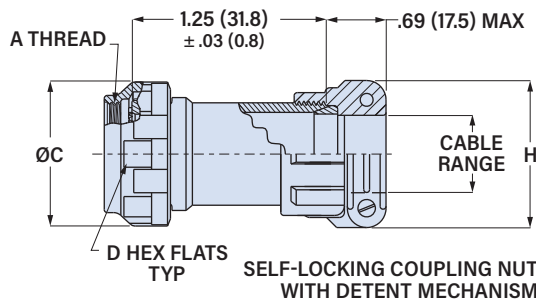
### PART NUMBER

		<b>380FS099</b>	<b>XM</b>	<b>16</b>	<b>12</b>	<b>C</b>				
<b>Base P/N</b>	<b>Base Part No.</b>	<b>380FS099</b>	<b>S</b> Straight							
	<b>380FT099</b>	<b>T</b> 45° Elbow								
	<b>380FW099</b>	<b>W</b> 90° Elbow								
<b>Body Finish</b>	<b>XM</b>	Electroless Nickel	<i>Coupling nut and saddle clamp are unplated.</i>							
	<b>XMT</b>	Nickel-PTFE								
	<b>XW</b>	Olive Drab Cadmium								
	<b>XTZ</b>	Tin-Zinc								
<b>Shell Size</b>	<b>Shell Size</b>									
	<b>38999 Series I</b>	9	11	13	15	17	19	21	23	25
	<b>38999 Series II</b>	8	10	12	14	16	18	20	22	24
	<b>Size Code</b>	<b>08</b>	<b>10</b>	<b>12</b>	<b>14</b>	<b>16</b>	<b>18</b>	<b>20</b>	<b>22</b>	<b>24</b>
<b>Entry Size</b>	<i>See Table 1</i>									
<b>Strain Relief</b>	<b>C</b>	<b>Saddle Clamp</b>								

**S** Straight

**W** 90°

**T** 45°



**TABLE 1: ENTRY SIZE**

Entry Size	Cable Diameter				H Max.		Shell Sizes	Shell Size	A Thread UNEF-2B	øC Max	D Hex Flats	E ±.06(1.5)	F ±.09(2.3)	G ±.09(2.3)	K ±.06(1.5)	L ±.06(1.5)	Max Entry Size	
	Min in	Max in	Min mm	Max mm	in	mm												
10	.20	.25	5.1	6.4	1.00	25.4	08-24	8/9	0.4375-28	.86	21.8	.750	19.1	.69	17.5	.88	22.4	10
12	.29	.38	7.4	9.7	1.23	31.2	10-24	10/11	0.5625-24	.98	24.9	.875	22.2	.75	19.1	1.00	25.4	12
14	.40	.44	10.1	11.2	1.34	34.0	12-24	12/13	0.6875-24	1.16	29.5	1.000	25.4	.81	20.6	1.13	28.7	14
16	.48	.63	12.2	15.9	1.47	37.3	14-24	14/15	0.8125-20	1.28	32.5	1.125	28.6	.88	22.4	1.31	33.3	16
18	.55	.69	14.0	17.5	1.56	39.6	16-24	16/17	0.9375-20	1.41	35.8	1.250	31.8	.94	23.9	1.38	35.1	18
20	.64	.75	16.3	19.1	1.62	41.1	16-24	18/19	1.0625-18	1.52	38.6	1.375	34.9	.97	24.6	1.44	36.6	20
22	.72	.88	18.3	22.2	1.75	44.5	20-24	20/21	1.1875-18	1.64	41.7	1.500	38.1	1.06	26.9	1.63	41.4	22
24	.79	1.00	20.0	25.4	1.87	47.5	22-24	22/23	1.3125-18	1.77	45.0	1.625	41.3	1.13	28.7	1.75	44.5	24
28	.89	1.13	20.3	28.6	1.97	50.0	24	24/25	1.4375-18	1.89	48.0	1.750	44.5	1.19	30.2	1.88	47.8	28