

Series 38 EMI Backshells

for MIL-DTL-38999 Series III/IV Connectors

380H*099 EMI Backshell, Composite, Self-Locking



Self-Locking

Adapter Code H

This accessory fits these connectors:
MIL-DTL-38999 Series III and Series IV

MATERIAL/FINISH

Coupling nut, saddles: glass-reinforced polyetherimide (PEI), unplated, amber color
Body and shield termination ring: polyetherimide (PEI)/finish per PN
Screws, washers: stainless steel/passivated
Anti-decoupling spring: thermoplastic

PART NUMBER

		380HS099	XM	13	10	C					
Base P/N	Base Part No.										
	Profile										
	380HS099 S Straight										
	380HT099 T 45° Elbow										
	380HW099 W 90° Elbow										
Body Finish	XM Electroless Nickel	<i>Coupling nut and saddle clamp are unplated.</i>									
	XMT Nickel-PTFE										
	XW Olive Drab Cadmium										
	XTZ Tin-Zinc										
Shell Size	Shell Size	9	11	13	15	17	19	21	23	25	
	Size Code	09	11	13	15	17	19	21	23	25	
Entry Size	See Table 1										
Strain Relief	C	Saddle Clamp									

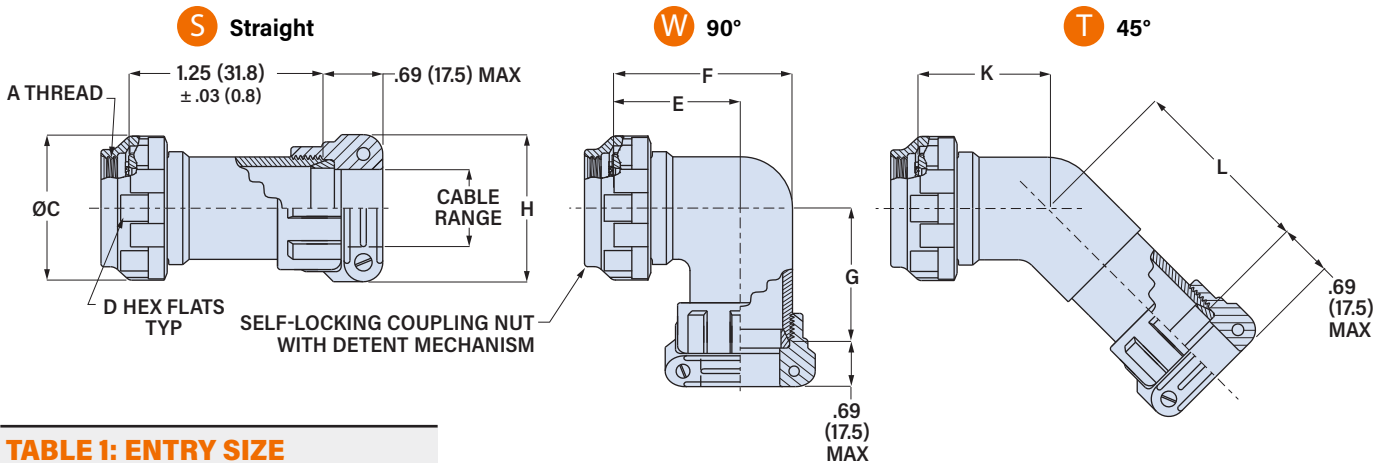


TABLE 1: ENTRY SIZE

Entry Size	Cable Diameter				H Max.	Shell Size	Shell Size	A Thread	ØC Max		D Hex Flats		E ±.06(1.5)		F ±.09(2.3)		G ±.09(2.3)		K ±.06(1.5)		L ±.06(1.5)		Max Entry Size
	Min	Max	Min	Max					in	mm	in	mm	in	mm	in	mm	in	mm	in	mm	in	mm	
10	.20	.25	5.1	6.4	1.00	25.4	09-25	M12X1.0-6H	.86	21.8	.750	19.1	.69	17.5	.88	22.4	1.06	27.0	.72	18.3	.88	22.4	10
12	.29	.38	7.4	9.7	1.23	31.2	11-25	M15X1.0-6H	.98	24.9	.875	22.2	.75	19.1	1.00	25.4	1.13	28.7	.75	19.1	.94	23.9	12
14	.40	.44	10.1	11.2	1.34	34.0	13-25	M18X1.0-6H	1.16	29.5	1.000	25.4	.81	20.6	1.13	28.7	1.19	30.2	.75	19.1	1.00	25.4	14
16	.48	.63	12.2	15.9	1.47	37.3	15-25	M22X1.0-6H	1.28	32.5	1.125	28.6	.88	22.4	1.31	33.3	1.38	35.1	.76	19.3	1.03	26.2	16
18	.55	.69	14.0	17.5	1.56	39.6	17-25	M25X1.0-6H	1.41	35.8	1.250	31.8	.94	23.9	1.38	35.1	1.44	36.6	.78	19.8	1.06	26.9	20
20	.64	.75	16.3	19.1	1.62	41.1	19-25	M28X1.0-6H	1.52	38.6	1.375	34.9	.97	24.6	1.44	36.6	1.47	37.3	.79	20.1	1.07	27.2	20
22	.72	.88	18.3	22.2	1.75	44.5	21-25	M31X1.0-6H	1.64	41.7	1.500	38.1	1.06	26.9	1.63	41.4	1.56	39.6	.82	20.8	1.09	27.7	22
24	.79	1.00	20.0	25.4	1.87	47.5	23-25	M34X1.0-6H	1.77	45.0	1.625	41.3	1.13	28.7	1.75	44.5	1.63	41.4	.86	21.8	1.14	29.0	24
28	.89	1.13	20.3	28.6	1.97	50.0	25	M37X1.0-6H	1.89	48.0	1.750	44.5	1.19	30.2	1.88	47.8	1.69	42.9	.92	23.4	1.17	29.7	28