



# Series 39 EMI+Environmental Backshells

for MIL-DTL-26482 Series I Connectors

## 390D\*002 EMI+Environmental Backshell, Direct Coupling

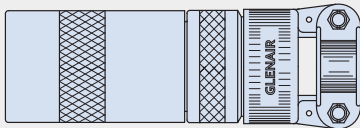


Adapter Code **D**

This accessory fits MIL-DTL-26482 Series I connectors

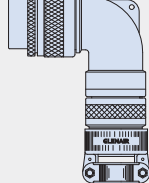
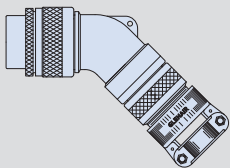
### PROFILE SELECTION GUIDE

**S** Straight



**B** 45°

**A** 90°

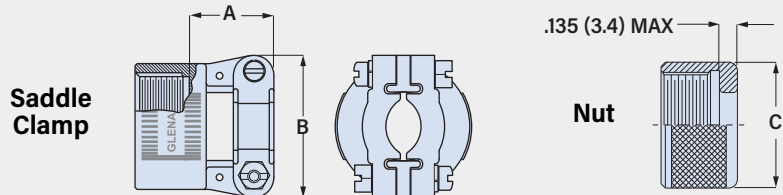


**EMI. Environmental. Direct coupling.** 390D\*002 backshell fits MIL-DTL-26482 Series I connectors. Direct coupling, environmentally sealed with O-rings and cable grommet. For use with shielded jacketed cable. Cone and ring shield termination. Two strain relief options: saddle clamp or low profile nut. When the strain relief is tightened onto the adapter, the grommet compresses onto cable jacket to create a watertight seal. Type H heavy duty saddle clamp has stainless steel telescoping fillister head screws and lockwashers. Available in aluminum or stainless steel. Silicone O-ring and grommet.

### PART NUMBER

	<b>390DS002</b>	<b>NF</b>	<b>12</b>	<b>04</b>	<b>H</b>	<b>3</b>
<b>Base P/N</b>	<b>390DS002</b> <b>S</b> Straight <b>390DA002</b> <b>A</b> 90° Elbow <b>390DB002</b> <b>B</b> 45° Elbow					
<b>Material/Finish</b>	<b>M</b> Alum/ Electroless Nickel <b>MT</b> Alum/ Nickel-PTFE <b>NF</b> Alum/ Olive Drab Cadmium <b>ZR</b> Alum/ Black Zinc-Nickel <b>TZ</b> Alum/ Tin-Zinc <b>ZI</b> SST/ Passivated (Profile S only)					
<b>Shell Size</b>	<b>08 10 12 14 16 18 20 22 24</b>					
<b>Entry Size</b>	See Table 1					
<b>Strain Relief</b>	<b>H</b> Saddle Clamp <b>D</b> Nut					
<b>Length</b>	<b>4</b> 2.0 inches <b>5</b> 2.5 inches <b>6</b> 3.0 inches <b>8</b> 4.0 inches	Applies to Profile <b>S</b> only. If Entry Size is greater than "Maximum Entry Size" (see next page), then 2.5 inch minimum applies.				

TABLE 1: ENTRY SIZE



Entry Size	A Max		B Max		øC Max		Cable Range				Profile S Shell Size Range <sup>(1)</sup>
	in	mm	in	mm	in	mm	Min*	Max	in	mm	
<b>04</b>	.780	19.8	.957	24.3	.755	19.2	.125	3.2	.312	7.9	08-24
<b>06</b>	.780	19.8	1.145	29.1	.942	23.9	.250	6.4	.437	11.1	10-24
<b>08</b>	.780	19.8	1.332	33.8	1.067	27.1	.312	7.9	.562	14.3	12-24
<b>10</b>	.780	19.8	1.332	33.8	1.192	30.3	.350	8.9	.625	15.9	14-24
<b>12</b>	.811	20.6	1.551	39.4	1.380	35.1	.500	12.7	.750	19.1	16-24
<b>16</b>	.905	23.0	1.770	45.0	1.535	39.0	.625	15.9	.937	23.8	18-24
<b>20</b>	1.092	27.7	2.113	53.7	1.848	46.9	.875	22.2	1.250	31.8	24
<b>24</b>	1.124	28.5	2.363	60.0	2.255	57.3	1.000	25.4	1.375	34.9	
<b>28</b>	1.399	35.5	2.770	70.4	2.505	63.6	1.250	31.8	1.625	41.3	
<b>32</b>	1.399	35.5	3.020	76.7	2.755	70.0	1.437	36.5	1.875	47.6	

(1) If selected entry size exceeds shell size range, a Style 2 transition adapter will be included (profile **S** only).

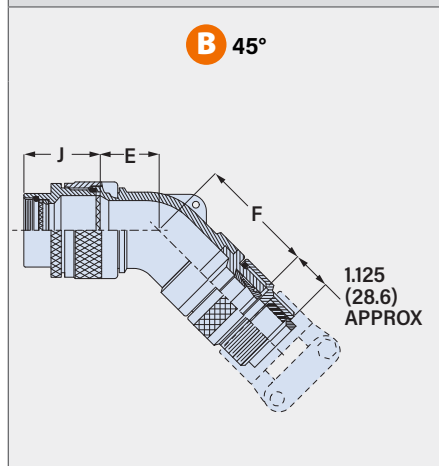
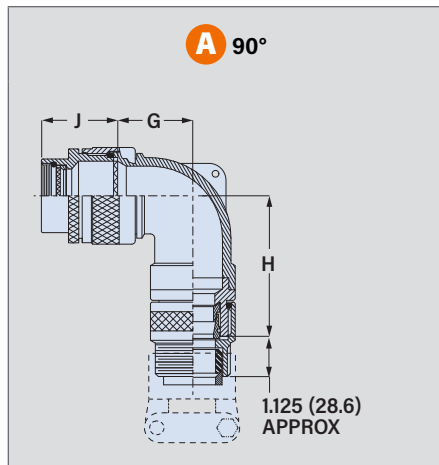
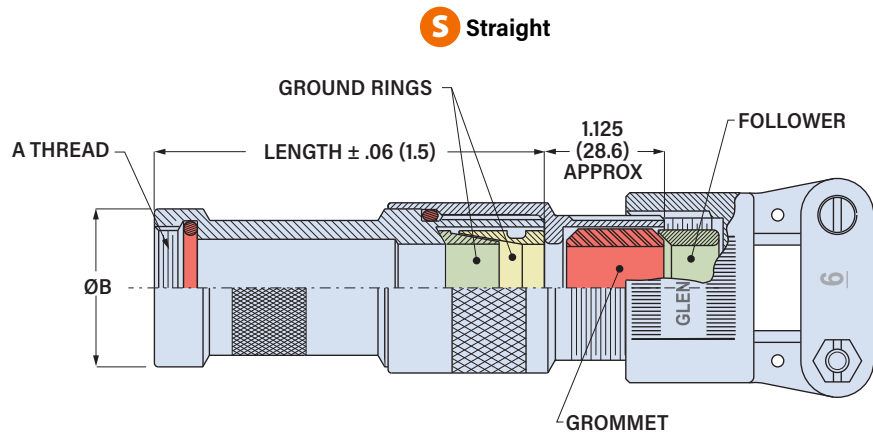
# Series 39 EMI+Environmental Backshells

for MIL-DTL-26482 Series I Connectors

## 390D\*002 EMI+Environmental Backshell, Direct Coupling

Shell Size	A Thread UNEF-2B	øB Max. in mm	J Max. in mm	Max. Entry Size (1)
08	0.4375-28	.59 15.0	1.25 31.8	04
10	0.5625-24	.72 18.3	1.25 31.8	06
12	0.6875-24	.84 21.3	1.25 31.8	08
14	0.8125-20	.97 24.6	1.25 31.8	10
16	0.9375-20	1.09 27.7	1.56 39.6	12
18	1.0625-18	1.22 31.0	1.56 39.6	16
20	1.1875-18	1.34 34.0	1.56 39.6	16
22	1.3125-18	1.47 37.3	1.56 39.6	16
24	1.4375-18	1.59 40.4	1.56 39.6	20

1) "Max. Entry Size" applies only to straight profile backshells. If the selected entry size is larger than the size shown in the table, a *Style 2* front adapter will be included.



Entry Size	E Max in mm	F Max in mm	G Max in mm	H Max in mm
04	.630 16.0	2.117 53.8	.636 16.2	2.067 52.5
06	.630 16.0	2.117 53.8	.710 18.0	2.187 55.5
08	.692 17.6	2.179 55.3	.731 18.6	2.207 56.1
10	.755 19.2	2.862 72.7	.825 21.0	2.867 72.8
12	.848 21.5	2.972 75.5	.988 25.1	2.957 75.1
16	1.036 26.3	3.159 80.2	1.087 27.6	3.132 79.6
20	1.130 28.7	3.368 85.5	1.325 33.7	3.303 83.9
24	1.255 31.9	3.408 86.6	1.337 34.0	3.453 87.7
28	1.317 33.5	3.553 90.2	1.827 46.4	3.703 94.1
32	1.348 34.2	3.646 92.6	2.027 51.5	3.753 95.3

### MAXIMUM ENTRY SIZE

"Maximum Entry Size" applies to Profile S straight only. If the entry size exceeds the maximum size in this table, the backshell will have a front adapter. This is called a *Style 2* backshell. The minimum length increases from 2 inches to 2.5 inches.

Shell Size	Maximum Entry Size
08	04
10	06
12	08
14	10
16	12
18	16
20	16
22	16
24	20

### Style 2 Backshell

