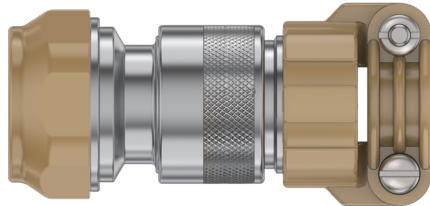


# Series 39 EMI+Environmental Backshells

for MIL-DTL-38999 Ser. III/IV Connectors

## 390H\*052 EMI+Environmental Backshell, Composite, Self-Locking

**Self-Locking**



**Adapter Code H**

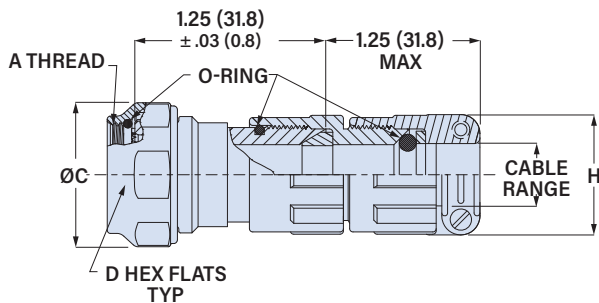
This accessory fits these connectors:  
MIL-DTL-38999 Series III and Series IV

### MATERIAL/FINISH

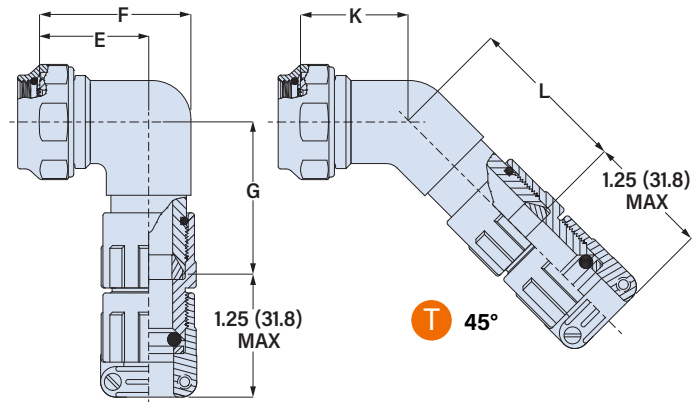
Coupling nut, saddles: glass-reinforced polyetherimide (PEI), unplated, amber color  
Body and shield termination ring: polyetherimide (PEI)/finish per PN  
Screws, washers: stainless steel/passivated  
Anti-decoupling spring: thermoplastic

### PART NUMBER

		<b>390HS052</b>	<b>XM</b>	<b>19</b>	<b>12</b>	<b>C</b>				
Base P/N	Base Part No.	<b>390HS052</b>	<b>S</b> Straight							
	Profile	<b>390HT052</b>	<b>T</b> 45° Elbow							
		<b>390HW052</b>	<b>W</b> 90° Elbow							
Body Finish	<b>XM</b> Electroless Nickel	<i>Coupling nut and saddle clamp are unplated.</i>								
	<b>XMT</b> Nickel-PTFE									
	<b>XW</b> Olive Drab Cadmium									
	<b>XTZ</b> Tin-Zinc									
Shell Size	Shell Size	9	11	13	15	17	19	21	23	25
	SizeCode	<b>09</b>	<b>11</b>	<b>13</b>	<b>15</b>	<b>17</b>	<b>19</b>	<b>21</b>	<b>23</b>	<b>25</b>
Entry Size	See Table 1									
Strain Relief Type	<b>C</b> Saddle Clamp									



**S** Straight



**T** 45°  
**W** 90°

**TABLE 1: ENTRY SIZE**

Entry Size	Cable Diameter				H Max. mm	Shell Size
	Min. in	Max. in	Min. mm	Max. mm		
<b>10</b>	.13	.25	3.3	6.4	1.00	09-25
<b>12</b>	.25	.38	6.4	9.7	1.23	11-25
<b>14</b>	.31	.44	7.9	11.2	1.34	13-25
<b>16</b>	.50	.63	12.7	15.9	1.47	15-25
<b>18</b>	.56	.69	14.2	17.5	1.56	15-25
<b>20</b>	.63	.75	16.0	19.1	1.62	17-25
<b>22</b>	.75	.88	19.1	22.2	1.75	21-25
<b>24</b>	.88	1.00	22.4	25.4	1.87	23-25
<b>28</b>	1.00	1.13	25.4	28.6	1.97	25

Shell Size	A Thread	øC Max in mm	D Flats in mm	E ±.06(1.5) in mm	F ±.09(2.3) in mm	G ±.09(2.3) in mm	K ±.06(1.5) in mm	L ±.06(1.5) in mm	Max Entry Size
9 (A)	M12X1.0-6H	.86 21.8	.750 19.1	.69 17.5	.88 22.4	1.06 27.0	.72 18.3	.88 22.4	<b>10</b>
11 (B)	M15X1.0-6H	.98 24.9	.875 22.2	.75 19.1	1.00 25.4	1.13 28.7	.75 19.1	.94 23.9	<b>12</b>
13 (C)	M18X1.0-6H	1.16 29.5	1.000 25.4	.81 20.6	1.13 28.7	1.19 30.2	.75 19.1	1.00 25.4	<b>14</b>
15 (D)	M22X1.0-6H	1.28 32.5	1.125 28.6	.88 22.4	1.31 33.3	1.25 31.8	.76 19.3	1.03 26.2	<b>16</b>
17 (E)	M25X1.0-6H	1.41 35.8	1.250 31.8	.94 23.9	1.38 35.1	1.31 33.3	.78 19.8	1.06 26.9	<b>20</b>
19 (F)	M28X1.0-6H	1.52 38.6	1.375 34.9	.97 24.6	1.44 36.6	1.34 34.0	.79 20.1	1.07 27.2	<b>20</b>
21 (G)	M31X1.0-6H	1.64 41.7	1.500 38.1	1.06 26.9	1.63 41.4	1.44 36.6	.82 20.8	1.09 27.7	<b>22</b>
23 (H)	M34X1.0-6H	1.77 45.0	1.625 41.3	1.13 28.7	1.75 44.5	1.50 38.1	.86 21.8	1.14 29.0	<b>24</b>
25 (J)	M37X1.0-6H	1.89 48.0	1.750 44.5	1.19 30.2	1.88 47.8	1.56 39.6	.92 23.4	1.17 29.7	<b>28</b>