

Series 39 EMI+Environmental Backshells

for MIL-DTL-38999 Ser. III/IV Connectors

390H*055 EMI+Environmental Backshell, Self-Locking

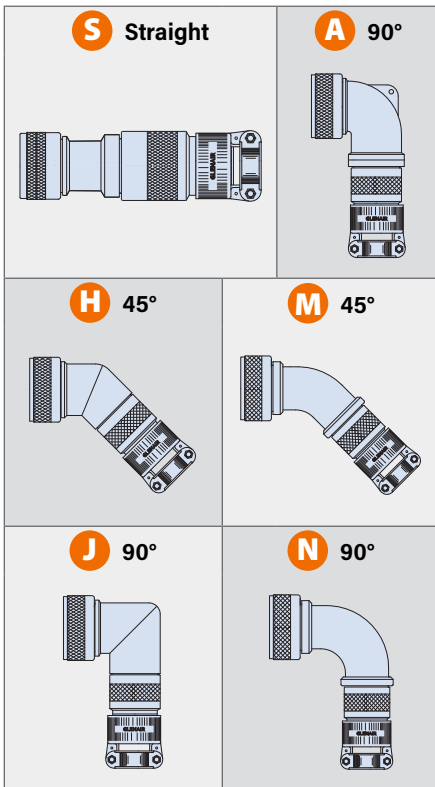
Self-Locking



Adapter Code H

This accessory fits these connectors:
MIL-DTL-38999 Series III and Series IV

PROFILE SELECTION GUIDE

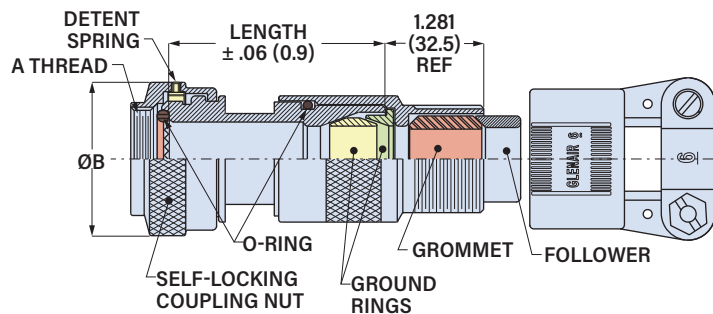


Shell Size	A Thread	øB Max in	øB Max mm
9 (A)	M12X1.0-6H	.94	24.8
11 (B)	M15X1.0-6H	1.06	26.9
13 (C)	M18X1.0-6H	1.17	29.7
15 (D)	M22X1.0-6H	1.29	32.7
17 (E)	M25X1.0-6H	1.42	36.1
19 (F)	M28X1.0-6H	1.54	39.1
21 (G)	M31X1.0-6H	1.67	42.4
23 (H)	M34X1.0-6H	2.01	51.1
25 (J)	M37X1.0-6H	2.12	53.8

Shielded. Environmental. Self-locking. 390H*055 backshell fits MIL-DTL-38999 Series III and IV connectors. Anti-decoupling mechanism provides audible detented coupling and prevents backoff under high vibration. Two ground rings for terminating individual and overall braid shields. Environmentally protected with O-rings and cable grommet. Two strain relief options: saddle clamp or low profile nut. When the strain relief is tightened onto the adapter, the grommet compresses onto cable jacket to create a watertight seal. Type H heavy duty saddle clamp has stainless steel telescoping fillister head screws and lockwashers. Available in aluminum or stainless steel. Silicone O-rings and grommet.

PART NUMBER

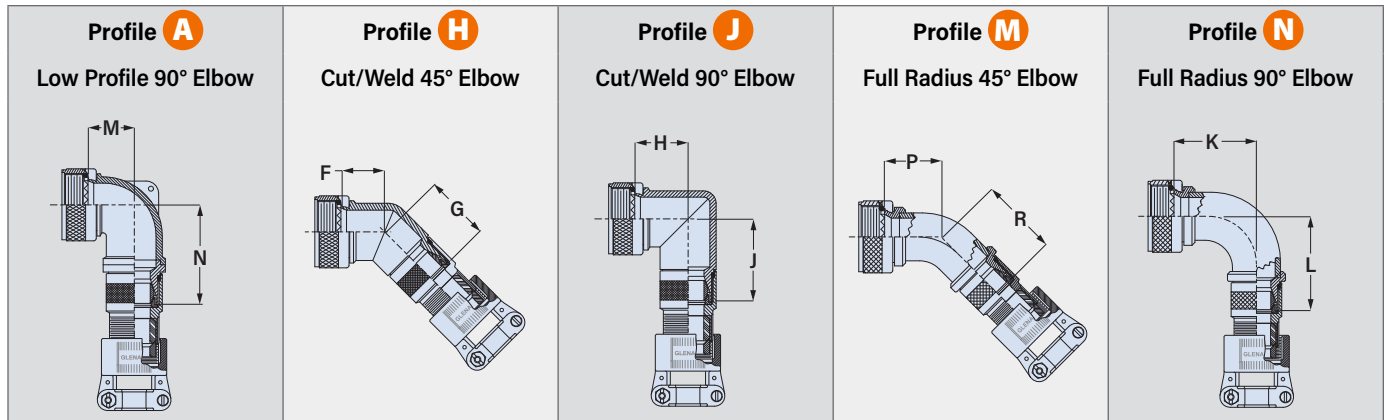
		390HS055	MT	17	10	D	3			
Base P/N	Base Part No.	Profile								
	390HS055	S Straight								
	390HA055	A 90° Low Profile								
	390HH055	H 45° Cut/Weld								
	390HJ055	J 90° Cut/Weld								
Material/Finish	390HM055	M 45° Full Radius								
	390HN055	N 90° Full Radius								
	M	Alum/ Electroless Nickel								
	MT	Alum/ Nickel-PTFE								
	NF	Alum/ Olive Drab Cadmium								
Shell Size	ZR	Alum/ Black Zinc-Nickel								
	TZ	Alum/ Tin-Zinc								
	ZI	SST/ Passivated (Profiles H, J, M, N, S only)								
	Shell Size		9	11	13	15	17	19	21	23
Size Code		09	11	13	15	17	19	21	23	25
Entry Size	Entry Size	Max. Cable Dia.	Shell Size*	Entry Size	Max. Cable Dia.	Shell Size*				
	03	.250 (7.9)	09-25	16	.937 (23.8)	21-25				
	04	.312 (7.9)	11-25	20	1.250 (31.8)	25				
	06	.437 (11.1)	13-25	24	1.375 (34.9)	-				
	08	.562 (14.3)	15-25	28	1.625 (41.3)	-				
	10	.625 (15.9)	15-25	32	1.875 (47.6)	-				
	12	.750 (19.1)	17-25							
* If selected entry size exceeds shell size range, a Style 2 transition adapter will be included. See <i>Maximum Entry Size</i> for details.										
Strain Relief	H	Saddle Clamp								
	D	Nut								
Length	3	1.5 inches	Applies to Profile S only.							
	4	2.0 inches	If Entry Size is greater than "Maximum Entry Size" (see next page), then 2 inch minimum applies.							
	6	3.0 inches								
	8	4.0 inches								



Series 39 EMI+Environmental Backshells

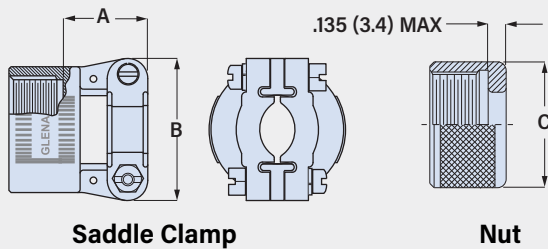
for MIL-DTL-38999 Ser. III/IV Connectors

390H*055 EMI+Environmental Backshell, Self-Locking



Shell Size	F Max		G Max		H Max		J Max		K Max		L Max		M Max		N Max		P Max		R Max	
	in	mm	in	mm	in	mm	in	mm	in	mm	in	mm	in	mm	in	mm	in	mm	in	mm
9 (A)	.795	20.2	1.031	26.2	.906	23.0	1.157	29.4	1.281	32.5	1.287	32.7	.655	16.6	1.880	47.8	.968	24.6	1.095	27.8
11 (B)	.820	20.8	1.063	27.0	.966	24.5	1.217	30.9	1.406	35.7	1.411	35.8	.750	19.1	1.990	50.5	1.031	26.2	1.145	29.1
13 (C)	.844	21.4	1.094	27.8	1.026	26.1	1.277	32.4	1.531	38.9	1.537	39.0	.765	19.4	2.020	51.3	1.094	27.8	1.195	30.4
15 (D)	.961	21.9	1.119	28.4	1.076	27.3	1.347	34.2	1.656	42.1	1.761	44.7	.855	21.7	2.154	54.7	1.156	29.4	1.245	31.6
17 (E)	.888	22.6	1.147	29.1	1.136	28.9	1.407	35.7	1.781	45.2	1.787	45.4	1.040	26.4	2.244	57.0	1.218	30.9	1.300	33.0
19 (F)	.904	23.0	1.157	29.4	1.176	29.9	1.427	36.2	1.906	48.4	1.911	48.5	1.130	28.7	2.414	61.3	1.250	31.8	1.350	34.3
21 (G)	.929	23.6	1.177	29.9	1.236	31.4	1.487	37.8	2.031	51.6	2.037	51.7	1.130	28.7	2.414	61.3	1.312	33.3	1.400	35.6
23 (H)	.956	24.3	1.217	30.9	1.296	32.9	1.567	39.8	2.156	54.8	2.161	54.9	1.280	32.5	2.587	65.7	1.344	34.1	1.455	37.0
25 (J)	.979	24.9	1.247	31.7	1.356	34.4	1.637	41.6	2.281	57.9	2.287	58.1	1.280	32.5	2.587	65.7	1.406	35.7	1.505	38.1

STRAIN RELIEF DIMENSIONS



Entry Size	A Max		B Max		øC Max		Cable Range			
	in	mm	in	mm	in	mm	Min*	Max	in	mm
03	.780	19.8	.957	24.3	.630	16.0	.125	3.2	.250	6.4
04	.780	19.8	.957	24.3	.755	19.2	.125	3.2	.312	7.9
06	.780	19.8	1.145	29.1	.942	23.9	.250	6.4	.437	11.1
08	.780	19.8	1.332	33.8	1.067	27.1	.312	7.9	.562	14.3
10	.780	19.8	1.332	33.8	1.192	30.3	.350	8.9	.625	15.9
12	.811	20.6	1.551	39.4	1.380	35.1	.500	12.7	.750	19.1
16	.905	23.0	1.770	45.0	1.535	39.0	.625	15.9	.937	23.8
20	1.092	27.7	2.113	53.7	1.848	46.9	.875	22.2	1.250	31.8
24	1.124	28.5	2.363	60.0	2.255	57.3	1.000	25.4	1.375	34.9
28	1.399	35.5	2.770	70.4	2.505	63.6	1.250	31.8	1.625	41.3
32	1.399	35.5	3.020	76.7	2.755	70.0	1.437	36.5	1.875	47.6

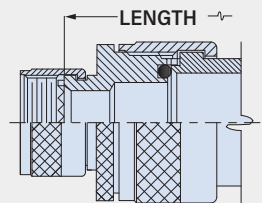
* Not applicable to Style D Nut.

MAXIMUM ENTRY SIZE

If the selected entry size exceeds the maximum size in this table, the backshell will have a front adapter. This is called a **Style 2** backshell.

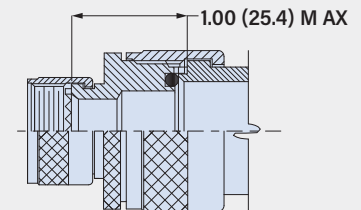
Shell Size	Maximum Entry Size
9 (A)	03
11 (B)	04
13 (C)	06
15 (D)	10
17 (E)	12
19 (F)	12
21 (G)	16
23 (H)	16
25 (J)	20

Style 2 Straight Backshell



The minimum length code increases from 3 (1 1/2 inches) to 4 (2 inches).

Style 2 45° and 90° Backshells



For 45° and 90° backshells, the length increases by 1.00 inches.