

# Series 39 EMI+Environmental Backshells

for Series 970 PowerTrip® Connectors

## 390P\*055 EMI+Environmental Backshell, Self-Locking



**Self-Locking**

**Adapter Code P**  
This accessory fits Glenair Series 970 PowerTrip Connectors

### PROFILE SELECTION GUIDE

**S** Straight

**M** 45°

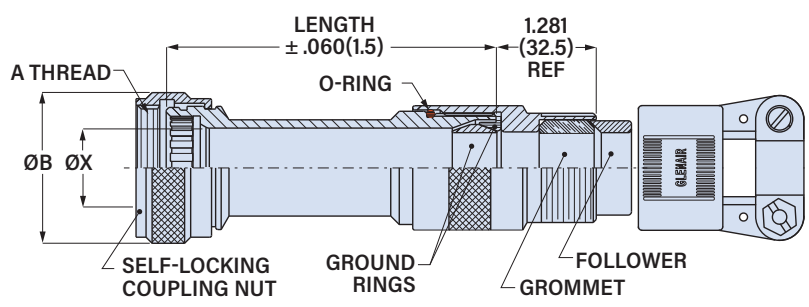
**N** 90°

**Shielded. Environmental. Self-locking.** Compatible with Glenair's Series 970 PowerTrip connectors. Anti-decoupling mechanism provides audible detented coupling and prevents backoff under high vibration. Environmentally protected with O-ring and cable grommet. Three strain relief options: saddle clamp, nut, or wire mesh cordgrip. Type H heavy duty saddle clamp has stainless steel telescoping fillister head screws and lockwashers. Available in aluminum or stainless steel. Silicone O-ring and grommet.

PART NUMBER		390PS055	ME	24	12H	8			
Base P/N	Base Part No.	390PS055	ME	24	12H	8			
	Profile	<b>S</b> Straight							
		<b>M</b> 45° Full Radius							
		<b>N</b> 90° Full Radius							
Material/Finish	Material/Finish	<b>ME</b> Alum/ Electroless Nickel							
		<b>MT</b> Alum/ Nickel-PTFE							
		<b>NF</b> Alum/ Olive Drab Cadmium							
		<b>ZR</b> Alum/ Black Zinc-Nickel							
		<b>TZ</b> Alum/ Tin-Zinc							
	<b>ZI</b> SST/ Passivated								
Shell Size		18	20	24	28	32	36	40	
Entry Size and Strain Relief Code	<b>Saddle Clamp</b>			<b>Nut</b>			<b>Cordgrip</b>		
		Max. Cable Dia.	Max. Shell Size*		Max. Cable Dia.	Max. Shell Size*		Max. Cable Dia.	Max. Shell Size*
	<b>06H</b>	.437	18-40	<b>06D</b>	.438	18-40	<b>06K</b>	.438	18-40
	<b>08H</b>	.562	18-40	<b>08D</b>	.562	18-40	<b>08K</b>	.500	18-40
	<b>10H</b>	.625	18-40	<b>10D</b>	.625	18-40	<b>10K</b>	.625	18-40
	<b>12H</b>	.750	20-40	<b>12D</b>	.750	20-40	<b>12K</b>	.750	20-40
	<b>16H</b>	.938	24-40	<b>16D</b>	.938	24-40	<b>16K</b>	.875	24-40
	<b>20H</b>	1.250	28-40	<b>20D</b>	1.250	28-40	<b>20K</b>	1.000	24-40
	<b>24H</b>	1.375	32-40	<b>24D</b>	1.375	32-40	<b>24K</b>	1.250	28-40
	<b>28H</b>	1.625	36-40	<b>28D</b>	1.625	36-40	<b>28K</b>	1.375	32-40
<b>32H</b>	1.875	40	<b>32D</b>	1.875	40	<b>32K</b>	1.625	36-40	
<b>36H</b>	2.125	-	<b>40D</b>	2.375	-	<b>40K</b>	1.875	40	
<b>40H</b>	2.375	-					2.375	-	
Length	<b>6</b>	3 inches (Shell Sizes 18 and 20 only)			Applies to Profile <b>S</b> only.				
	<b>8</b>	4 inches			If Entry Size is greater than "Maximum Entry Size" (see next page), then 5 inch minimum applies.				
	<b>10</b>	5 inches							
	<b>12</b>	6 inches							
	<b>16</b>	8 inches							

Shell Size	A Thread	ø B Max. in	ø B Max. mm	ø X Min. in	ø X Min. mm	Max. Entry Size <sup>(1)</sup>
18	1.125-18 UNEF-2B	1.39	35.3	.724	18.4	10
20	1.250-18 UNEF-2B	1.53	38.9	.858	21.8	12
24	1.4375-18 UNEF-2B	1.72	43.7	1.043	26.5	16
28	1.8125-16 UN-2B	2.13	54.1	1.353	34.4	20
32	2.0625-16 UNS-2B	2.35	59.7	1.620	41.2	24
36	2.250-16 UN-2B	2.59	65.8	1.823	46.3	28
40	2.500-16 UN-2B	2.87	70.6	2.050	52.1	32

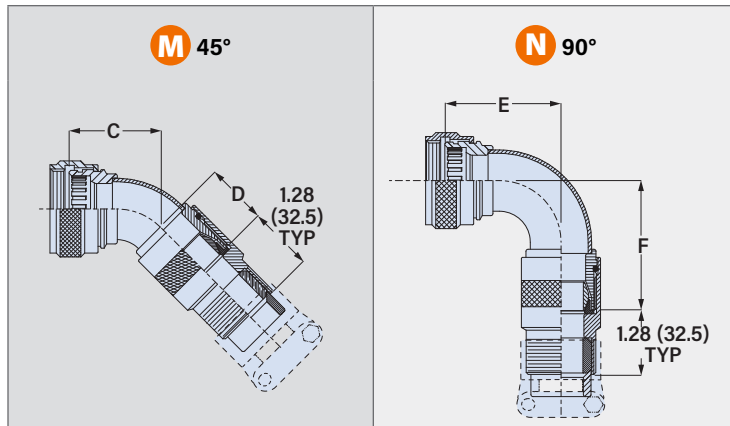
(1) If the Entry Size exceeds "Max. Entry Size", a front adapter will be included. See "Maximum Entry Size" on next page.



# Series 39 EMI+Environmental Backshells

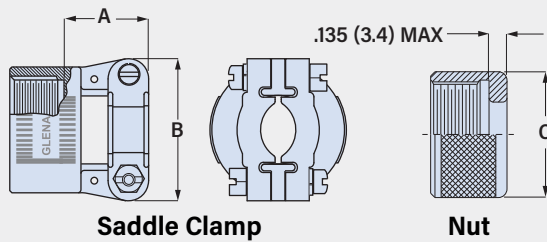
for Series 970 PowerTrip® Connectors

## 390P\*055 EMI+Environmental Backshell, Self-Locking



Shell Size	C Max.		D Max.		E Max.		F Max.	
	in	mm	in	mm	in	mm	in	mm
18	1.250	31.8	2.468	62.7	1.906	48.4	1.812	46.0
20	1.312	33.3	2.657	67.5	2.031	51.6	1.938	49.2
24	1.46	35.7	3.063	77.8	2.281	57.9	2.188	55.6
28	1.500	38.1	3.656	92.9	2.531	64.3	2.625	66.7
32	1.675	42.5	3.845	97.7	2.625	66.7	2.895	73.5
36	1.799	45.7	4.230	107.4	2.875	73.0	3.145	79.9
40	1.861	47.3	4.459	113.3	3.025	76.8	3.295	83.7

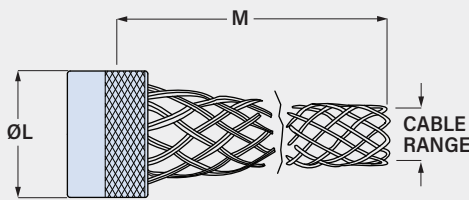
### SADDLE CLAMP AND NUT DIMENSIONS



Entry Size	A Max		B Max		øC Max		Cable Range			
	in	mm	in	mm	in	mm	Min*	Max	in	mm
06	.780	19.8	1.145	29.1	.942	23.9	.250	6.4	.437	11.1
08	.780	19.8	1.332	33.8	1.067	27.1	.312	7.9	.562	14.3
10	.780	19.8	1.332	33.8	1.192	30.3	.350	8.9	.625	15.9
12	.811	20.6	1.551	39.4	1.380	35.1	.500	12.7	.750	19.1
16	.905	23.0	1.770	45.0	1.535	39.0	.625	15.9	.937	23.8
20	1.092	27.7	2.113	53.7	1.848	46.9	.875	22.2	1.250	31.8
24	1.124	28.5	2.363	60.0	2.255	57.3	1.000	25.4	1.375	34.9
28	1.399	35.5	2.770	70.4	2.505	63.6	1.250	31.8	1.625	41.3
32	1.399	35.5	3.020	76.7	2.755	70.0	1.437	36.5	1.875	47.6
36	1.750	44.5	3.250	82.6	Not Avail		1.625	41.3	2.125	53.9
40	1.750	44.5	3.500	88.9	3.255	82.7	1.875	47.6	2.375	60.3

\* Not applicable to Style D Nut.

### CORDGRIP DIMENSIONS



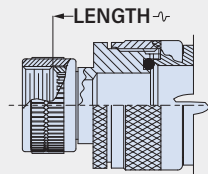
Entry Size	L Max		M		Cable Range			
	in	mm	in	mm	Min	Max	in	mm
06	.942	23.9	4.00	101	.310	7.8	.438	11.1
08	1.067	27.1	4.12	105	.438	11.1	.500	12.7
10	1.192	30.3	4.37	111	.500	12.7	.625	15.8
12	1.380	35.1	5.00	127	.625	15.9	.750	19.1
14	1.563	39.7	6.00	152	.750	19.1	.875	22.2
16	1.563	39.7	6.25	158	.875	22.2	1.000	25.4
20	1.875	47.6	7.25	184	1.000	25.4	1.250	31.8
24	2.225	57.3	8.00	203	1.125	28.6	1.375	34.9
28	2.505	63.6	8.50	216	1.375	34.9	1.625	41.2
32	2.755	70.0	9.00	229	1.625	41.3	1.875	47.6
40	3.225	82.7	9.50	241	2.125	53.9	2.375	60.3

### MAXIMUM ENTRY SIZE

If the selected entry size exceeds the maximum size in this table, the backshell will have a front adapter. This is called a **Style 2** backshell.

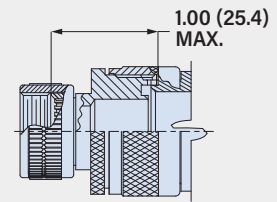
Shell Size	Maximum Entry Size
18	10
20	12
24	16
28	20
32	24
36	28
40	32

#### Style 2 Straight Backshell



Style 2 minimum length code is 10 (5 inches) for Profile **S**.

#### Style 2 45° and 90° Backshells



For Profile **M** and **N** 45° and 90° backshells, the length increases by 1 inch.