

# Series 39 EMI+Environmental Backshells

for Series 806 Mil/Aero Connectors

## 390V\*091 EMI+Environmental Backshell, Self-Locking

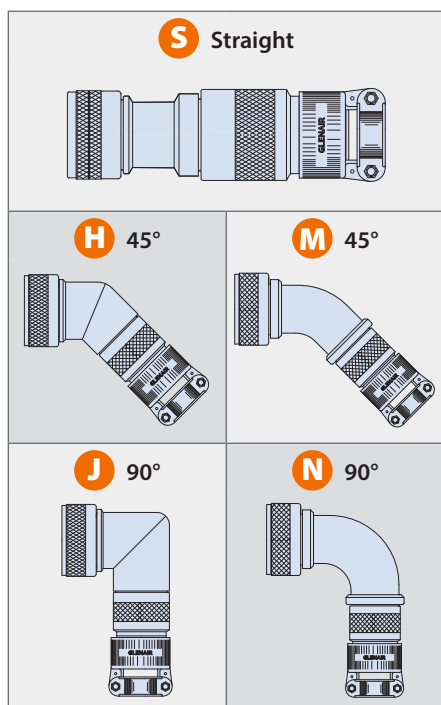


**Self-Locking**

**Adapter Code V**

This accessory fits Glenair Series 806 MilAero Connectors

### PROFILE SELECTION GUIDE



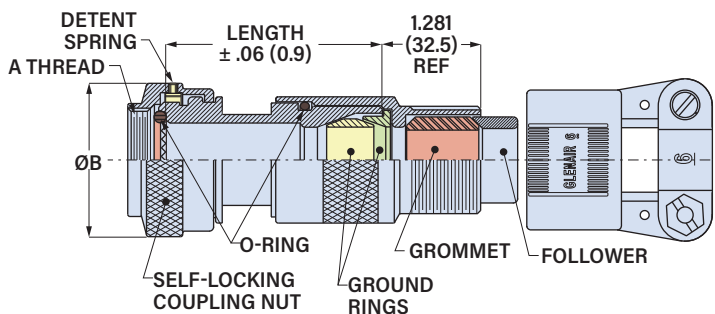
| Shell Size | A Thread ISO Metric | øB Max. in | mm    | Max. Entry Size <sup>(1)</sup> |
|------------|---------------------|------------|-------|--------------------------------|
| 08         | M10 x 1.0-6H        | .692       | 17.58 | 03                             |
| 09         | M12 x 1.0-6H        | .786       | 19.96 | 04                             |
| 10         | M14 x 1.0-6H        | .883       | 22.43 | 04                             |
| 11         | M15 x 1.0-6H        | .911       | 23.14 | 06                             |
| 12         | M17 x 1.0-6H        | 1.002      | 25.45 | 06                             |
| 14         | M19 x 1.0-6H        | 1.066      | 27.08 | 08                             |
| 16         | M22 x 1.0-6H        | 1.196      | 30.38 | 10                             |
| 18         | M25 x 1.0-6H        | 1.311      | 33.30 | 12                             |
| 20         | M28 x 1.0-6H        | 1.430      | 36.32 | 16                             |
| 22         | M31 x 1.0-6H        | 1.548      | 39.32 | 16                             |
| 24         | M34 x 1.0-6H        | 1.696      | 43.08 | 16                             |

(1) If the Entry Size exceeds "Max. Entry Size", a front adapter will be included. See "Maximum Entry Size" on next page.

**Shielded. Environmental. Self-locking.** Compatible with Glenair's Series 806 connectors with metric accessory thread. Anti-decoupling mechanism provides audible detented coupling and prevents backoff under high vibration. Two ground rings for terminating individual and overall braid shields. Environmentally protected with O-rings and cable grommet. Two strain relief options: saddle clamp or low profile nut. When the strain relief is tightened onto the adapter, the grommet compresses onto cable jacket to create a watertight cable seal. Type H heavy duty saddle clamp has stainless steel telescoping fillister head screws and lockwashers. Available in aluminum or stainless steel. Silicone O-rings and grommet.

### PART NUMBER

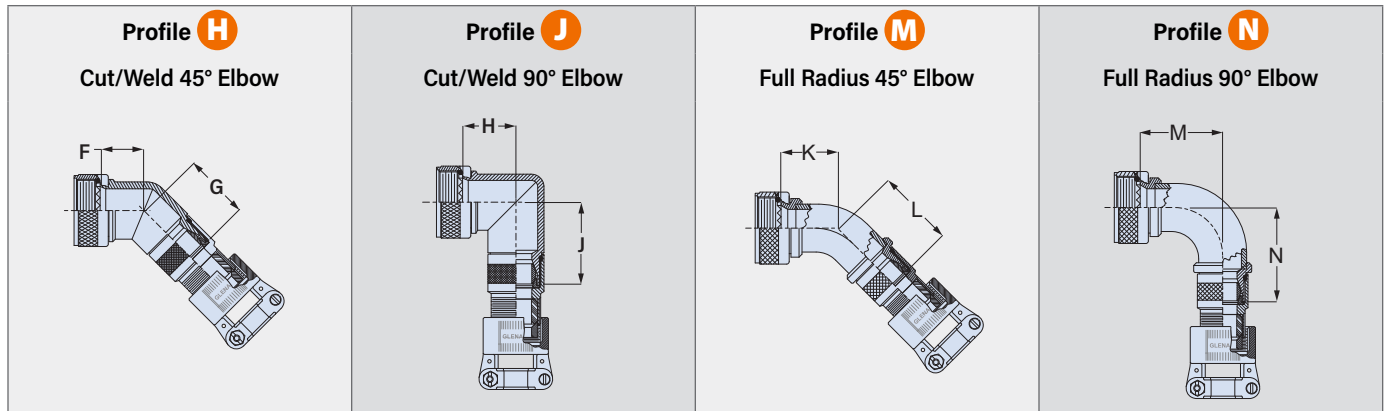
|   |   |                          |  |             |              |                 |
|---|---|--------------------------|--|-------------|--------------|-----------------|
| <b>390VS091</b>   | <b>MT</b>                               | <b>16</b>                | <b>10</b>  | <b>H</b>    | <b>3</b>     |                 |
| <b>Base P/N</b>   | Base Part No.                           | Profile                  |  |             |              |                 |
|   | <b>390VS091</b>                         | <b>S</b>                 | Straight   |             |              |                 |
|   | <b>390VH091</b>                         | <b>H</b>                 | 45° Cut/Weld   |             |              |                 |
|   | <b>390VJ091</b>                         | <b>J</b>                 | 90° Cut/Weld   |             |              |                 |
|   | <b>390VM091</b>                         | <b>M</b>                 | 45° Full Radius  |             |              |                 |
| <b>390VN091</b>   | <b>N</b>                                | 90° Full Radius          |  |             |              |                 |
| <b>Material/Finish</b>  | <b>M</b>                                | Alum/ Electroless Nickel |  |             |              |                 |
|   | <b>MT</b>                               | Alum/ Nickel-PTFE        |  |             |              |                 |
|   | <b>NF</b>                               | Alum/ Olive Drab Cadmium |  |             |              |                 |
|   | <b>ZR</b>                               | Alum/ Black Zinc-Nickel  |  |             |              |                 |
|   | <b>TZ</b>                               | Alum/ Tin-Zinc           |  |             |              |                 |
|   | <b>ZI</b>                               | SST/ Passivated          |  |             |              |                 |
| <b>Shell Size</b>   | <b>08 09 10 11 12 14 16 18 20 22 24</b> |                          |  |             |              |                 |
|   | <b>Entry Size</b>                       | Entry Size               | Max. Cable Dia.  | Shell Size* | Entry Size   | Max. Cable Dia. |
| <b>03</b>   |   | .250 (7.9)               | 08-24  | <b>16</b>   | .937 (23.8)  | 20-24           |
| <b>04</b>   |   | .312 (7.9)               | 09-24  | <b>20</b>   | 1.250 (31.8) | -               |
| <b>06</b>   |   | .437 (11.1)              | 11-24  | <b>24</b>   | 1.375 (34.9) | -               |
| <b>08</b>   |   | .562 (14.3)              | 14-24  | <b>28</b>   | 1.625 (41.3) | -               |
| <b>10</b>   |   | .625 (15.9)              | 16-24  | <b>32</b>   | 1.875 (47.6) | -               |
| <b>12</b>   |   | .750 (19.1)              | 18-24  |             |              |                 |
| * If selected entry size exceeds shell size range, a Style 2 transition adapter will be included. See Maximum Entry Size for details. |   |                          |  |             |              |                 |
| <b>Strain Relief</b>  | <b>H</b>                                | Saddle Clamp             |  |             |              |                 |
|   | <b>D</b>                                | Nut                      |  |             |              |                 |
| <b>Length</b>   | <b>3</b>                                | 1.5 inches               | Applies to Profile <b>S</b> only.  |             |              |                 |
|   | <b>4</b>                                | 2.0 inches               | If Entry Size is greater than "Maximum Entry Size" (see next page), then 2 inch minimum applies. |             |              |                 |
|   | <b>6</b>                                | 3.0 inches               |  |             |              |                 |
|   | <b>8</b>                                | 4.0 inches               |  |             |              |                 |



# Series 39 EMI+Environmental Backshells

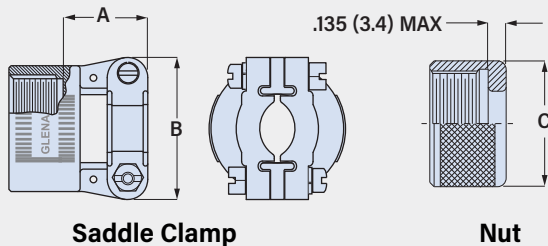
for Series 806 Mil/Aero Connectors

## 390V\*091 EMI+Environmental Backshell, Self-Locking



| Shell Size | F Max |      | G Max |      | H Max |      | J Max |      | K Max |      | L Max |      | M Max |      | N Max |      |
|------------|-------|------|-------|------|-------|------|-------|------|-------|------|-------|------|-------|------|-------|------|
|            | in    | mm   | in    | mm   | in    | mm   | in    | mm   | in    | mm   | in    | mm   | in    | mm   | in    | mm   |
| 08         | .62   | 15.8 | .90   | 22.9 | .79   | 20.1 | 1.08  | 27.4 | .79   | 20.1 | 1.07  | 27.2 | .94   | 23.9 | 1.23  | 31.2 |
| 09         | .64   | 16.3 | .93   | 23.6 | .84   | 21.3 | 1.13  | 28.7 | .79   | 20.1 | 1.07  | 27.2 | .94   | 23.9 | 1.23  | 31.2 |
| 10         | .67   | 17.0 | .93   | 23.6 | .84   | 21.3 | 1.18  | 30.0 | .79   | 20.1 | 1.13  | 28.7 | .97   | 24.6 | 1.32  | 33.5 |
| 11         | .67   | 17.0 | .97   | 24.6 | .90   | 22.9 | 1.19  | 30.2 | .79   | 20.1 | 1.13  | 28.7 | .97   | 24.6 | 1.32  | 33.5 |
| 12         | .70   | 17.8 | .97   | 24.6 | .90   | 22.9 | 1.24  | 31.5 | .83   | 21.1 | 1.21  | 30.7 | 1.04  | 26.4 | 1.42  | 36.1 |
| 14         | .72   | 18.3 | 1.00  | 25.4 | .96   | 24.4 | 1.27  | 32.3 | .83   | 21.1 | 1.21  | 30.7 | 1.04  | 26.4 | 1.42  | 36.1 |
| 16         | .76   | 19.3 | 1.05  | 26.7 | 1.02  | 25.9 | 1.33  | 33.8 | .84   | 21.3 | 1.28  | 32.5 | 1.08  | 27.4 | 1.52  | 38.6 |
| 18         | .79   | 20.1 | 1.11  | 28.2 | 1.12  | 28.5 | 1.39  | 35.3 | .89   | 22.6 | 1.36  | 34.5 | 1.14  | 29.0 | 1.62  | 41.2 |
| 20         | .82   | 20.8 | 1.17  | 29.7 | 1.24  | 31.5 | 1.49  | 37.9 | .92   | 23.4 | 1.43  | 36.3 | 1.21  | 30.7 | 1.71  | 43.4 |
| 22         | .86   | 21.8 | 1.21  | 30.7 | 1.24  | 31.5 | 1.56  | 39.6 | .95   | 24.1 | 1.49  | 37.9 | 1.28  | 32.5 | 1.81  | 46.0 |
| 24         | .90   | 22.9 | 1.29  | 32.8 | 1.25  | 31.8 | 1.68  | 42.7 | .98   | 24.5 | 1.55  | 39.4 | 1.33  | 33.8 | 1.91  | 48.5 |

### STRAIN RELIEF DIMENSIONS



| Entry Size | A Max |      | B Max |      | øC Max |      | Cable Range |      |       |      |
|------------|-------|------|-------|------|--------|------|-------------|------|-------|------|
|            | in    | mm   | in    | mm   | in     | mm   | Min*        | Max  | in    | mm   |
| 03         | .780  | 19.8 | .957  | 24.3 | .630   | 16.0 | .125        | 3.2  | .250  | 6.4  |
| 04         | .780  | 19.8 | .957  | 24.3 | .755   | 19.2 | .125        | 3.2  | .312  | 7.9  |
| 06         | .780  | 19.8 | 1.145 | 29.1 | .942   | 23.9 | .250        | 6.4  | .437  | 11.1 |
| 08         | .780  | 19.8 | 1.332 | 33.8 | 1.067  | 27.1 | .312        | 7.9  | .562  | 14.3 |
| 10         | .780  | 19.8 | 1.332 | 33.8 | 1.192  | 30.3 | .350        | 8.9  | .625  | 15.9 |
| 12         | .811  | 20.6 | 1.551 | 39.4 | 1.380  | 35.1 | .500        | 12.7 | .750  | 19.1 |
| 16         | .905  | 23.0 | 1.770 | 45.0 | 1.535  | 39.0 | .625        | 15.9 | .937  | 23.8 |
| 20         | 1.092 | 27.7 | 2.113 | 53.7 | 1.848  | 46.9 | .875        | 22.2 | 1.250 | 31.8 |
| 24         | 1.124 | 28.5 | 2.363 | 60.0 | 2.255  | 57.3 | 1.000       | 25.4 | 1.375 | 34.9 |
| 28         | 1.399 | 35.5 | 2.770 | 70.4 | 2.505  | 63.6 | 1.250       | 31.8 | 1.625 | 41.3 |
| 32         | 1.399 | 35.5 | 3.020 | 76.7 | 2.755  | 70.0 | 1.437       | 36.5 | 1.875 | 47.6 |

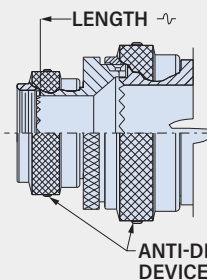
\* Not applicable to Style D Nut.

### MAXIMUM ENTRY SIZE

If the selected entry size exceeds the maximum size in this table, the backshell will have a front adapter. This is called a **Style 2** backshell.

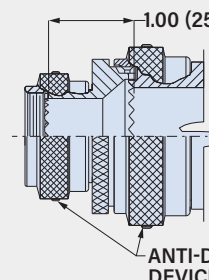
| Shell Size | Max. Entry Size | Shell Size | Max. Entry Size |
|------------|-----------------|------------|-----------------|
| 08         | 03              | 16         | 10              |
| 09         | 04              | 18         | 12              |
| 10         | 04              | 20         | 16              |
| 11         | 06              | 22         | 16              |
| 12         | 06              | 24         | 16              |
| 14         | 08              |            |                 |

#### Style 2 Straight Backshell



For Style 2 straight backshells, the minimum length code increases from 3 (1 1/2 inches) to 4 (2 inches).

#### Style 2 45° and 90° Backshells



For Style 2 45° and 90° backshells, the front adapter adds 1 inch to the length.