

Series 40 TAG Ring® Backshells

for AS50151 Crimp, M26482 Series II, M83723 Series III, AS95234

400A*001 TAG Ring® Backshell

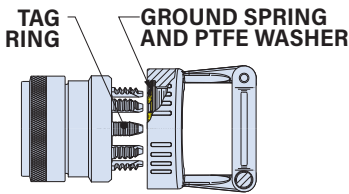


Individual shield termination. 400A*001 backshell fits AS50151 crimp (MS3450), AS95234, MIL-DTL-26482 Series II, MIL-DTL-83723 Series III connectors. Spin coupling, non-environmental. Grounding ring has slots for individual cable shields. Coupling nut, adapter and ground ring are aluminum alloy. Gold plated copper alloy ground spring, PTFE washer. Saddle clamp is aluminum alloy with stainless steel hardware.

- Terminal-And-Grounding (TAG) ring for individual shields
- Gold-plated ground spring
- Saddle clamp strain relief
- 3 profiles: straight, 45° and 90°
- No tools required for disassembly and repair

Adapter Code A

AS50151 crimp, AS95234, MIL-DTL-26482 Ser. II, MIL-DTL-83723 Ser. III



PROFILE SELECTION GUIDE

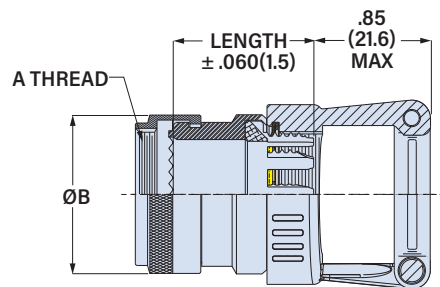
S Straight

A 90° **B** 45°

PART NUMBER

400AS001 M 18 06 L 3

Base P/N	Base Part No.	Profile				
	400AS001	S Straight				
	400AA001	A 90°				
	400AB001	B 45°				
Material/Finish	M	Alum/ Electroless Nickel				
	MT	Alum/ Nickel-PTFE				
	NF	Alum/ Olive Drab Cadmium				
	ZR	Alum/ Black Zinc-Nickel				
	TZ	Alum/ Tin-Zinc				
Shell Size	08 10 12 14 16 18 20 22 24					
Entry Size	Entry Size	Max. Cable Dia.	Shell Size*	Entry Size	Max. Cable Dia.	Shell Size*
	02	.250 (6.4)	08-24	07	.875 (22.2)	20-24
	03	.375 (9.5)	10-24	08	1.000 (25.4)	22-24
	04	.500 (12.2)	12-24	09	1.125 (28.6)	24
	05	.625 (15.9)	16-24	10	1.250 (31.8)	-
	06	.750 (19.1)	18-24			
* If selected entry size exceeds shell size range, a Style 2 transition adapter will be included. See Maximum Entry Size for details.						
Strain Relief	L	Saddle Clamp				
Length	3	1.5 inches				
	4	2.0 inches				
	6	3.0 inches				
Applies to Profile S only. If Entry Size is greater than "Maximum Entry Size" (see next page), then 2 inch minimum applies.						

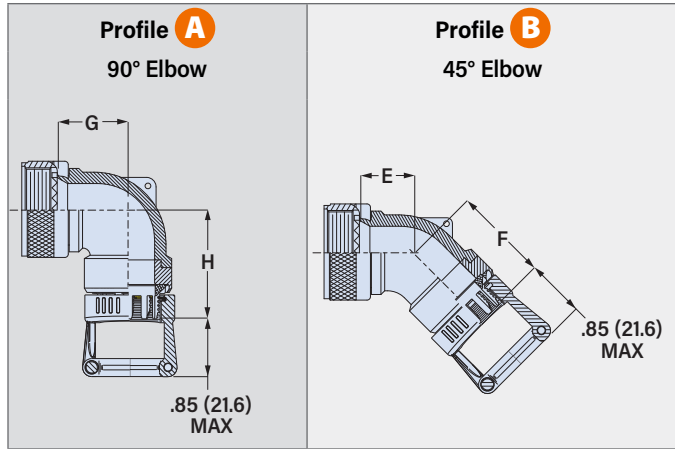


Shell Size	A Thread Class 2B	øB Max in	mm
08	0.500-20 UNF	.65	16.5
10	0.625-24 UNEF	.77	19.6
12	0.750-20 UNEF	.94	23.9
14	0.875-20 UNEF	1.07	27.2
16	1.000-20 UNEF	1.21	30.7
18	1.0625-18 UNEF	1.23	31.2
20	1.1875-18 UNEF	1.36	34.5
22	1.3125-18 UNEF	1.48	37.6
24	1.4375-18 UNEF	1.73	43.9

Series 40 TAG Ring® Backshells

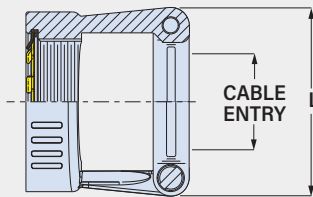
for AS50151 Crimp, M26482 Series II, M83723 Series III, AS95234

400A*001 TAG Ring® Backshell



Shell Size	E Max		F Max		G Max		H Max	
	in	mm	in	mm	in	mm	in	mm
08	.457	11.6	1.660	42.2	.500	12.7	1.670	42.4
10	.520	13.2	1.720	43.7	.595	15.1	1.790	45.5
12	.582	14.8	1.780	45.2	.610	15.5	1.810	46.0
14	.645	16.4	1.870	47.5	.700	17.8	1.880	47.8
16	.738	18.7	1.980	50.3	.885	22.5	1.970	50.0
18	.926	23.5	2.170	55.1	.975	24.8	2.140	54.4
20	.926	23.5	2.170	55.1	.975	24.8	2.140	54.4
22	1.020	25.9	2.320	58.9	1.125	28.6	2.250	57.2
24	1.020	25.9	2.320	58.9	1.125	28.6	2.250	57.2

STRAIN RELIEF DIMENSIONS



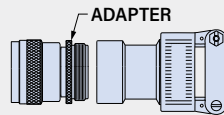
Entry Size	L Max		Cable Range			
	in	mm	Min. in	Min. mm	Max. in	Max. mm
02	.968	24.6	.125	3.2	.250	6.4
03	1.046	26.6	.250	6.4	.375	9.5
04	1.156	29.4	.375	9.5	.500	12.7
05	1.218	30.9	.500	12.7	.625	15.9
06	1.343	34.1	.625	15.9	.750	19.1
07	1.468	37.3	.750	19.1	.875	22.2
08	1.593	40.5	.875	22.2	1.000	25.4
09	1.718	43.6	.937	23.8	1.125	28.6
10	1.843	46.8	1.062	27.0	1.250	31.8

MAXIMUM ENTRY SIZE

If the selected entry size exceeds the maximum size in this table, the backshell will have a front adapter. This is called a **Style 2** backshell.

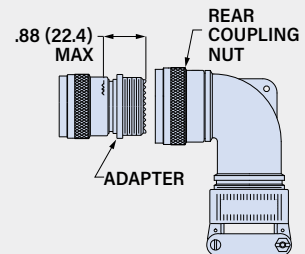
Shell Size	Maximum Entry Size
08	02
10	03
12	04
14	04
16	05
18	06
20	07
22	08
24	09

Style 2 Straight Backshell



The minimum length code increases from 3 (1.5 inches) to 4 (2 inches).

Style 2 45° and 90° Backshells



For 45° and 90° backshells, the length increases by .88 inches.