

Series 40 TAG Ring® Backshells

for AS50151 Crimp, M26482 Series II, M83723 Series III, AS95234

400AC011 TAG Ring® Backshell, Self-Locking, 90° Low Profile



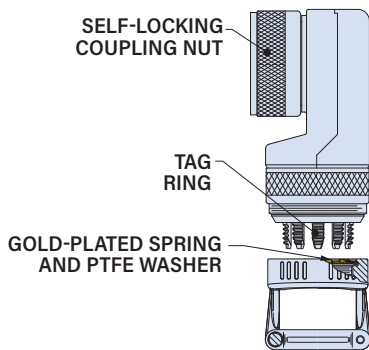
Self-Locking

Individual shield termination. Self-locking. 400AC011 backshell fits AS50151 crimp, MIL-DTL-26482 Series II, MIL-DTL-83723 Series III, and AS95234 connectors. Spin coupling, non-environmental. Grounding ring has slots for individual cable shields. Anti-decoupling mechanism in coupling nut provides audible detented coupling and prevents backoff under high vibration. Coupling nut, adapter and ground ring are aluminum alloy. Gold plated copper alloy ground spring, PTFE washer. Saddle clamp is aluminum alloy with stainless steel hardware.

- Terminal-And-Grounding (TAG) ring for individual shields
- Gold-plated ground spring
- Self-locking coupling nut
- Low profile "Cobra" configuration
- No tools required for disassembly and repair

Adapter Code **A**

AS50151 crimp, AS95234, MIL-DTL-26482 Ser. II, MIL-DTL-83723 Ser. III

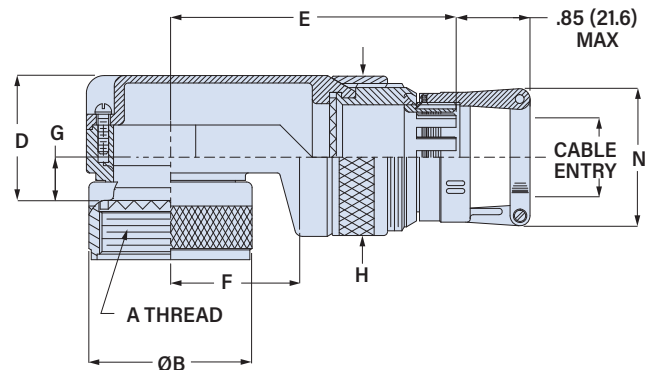


PART NUMBER

400AC011	M	18	05	L
Base P/N	400AC011			
Material/Finish	M Alum/ Electroless Nickel MT Alum/ Nickel-PTFE NF Alum/ Olive Drab Cadmium ZR Alum/ Black Zinc-Nickel TZ Alum/ Tin-Zinc			
Shell Size	08 10 12 14 16 18 20 22 24			
Entry Size	See Table 1			
Strain Relief	L	Saddle Clamp		

TABLE 1: ENTRY SIZE

Entry Size	N Max	Cable Entry				No. of Slots	Shell Size Range
		in	mm	Min. in	Max. mm		
02	.969	24.6	.125	3.2	.250	6.4	3 8-24
03	1.046	26.6	.250	6.4	.375	9.5	4 10-24
04	1.156	29.4	.375	9.5	.500	12.7	6 14-24
05	1.218	30.9	.500	12.7	.625	15.9	8 16-24
06	1.344	34.1	.625	15.9	.750	19.1	10 22-24



Shell Size	A Thread Class 2B	ØB Max.		D Max.		E Max.		F Ref.		G Ref.		±.031 (0.8)		±.031 (0.8)		±.031 (0.8)		Max. Entry Size
		in	mm	in	mm	in	mm	in	mm	in	mm	in	mm	in	mm	in	mm	
08	0.500-20 UNF	.69	17.5	.84	21.3	2.06	52.3	.500	12.7	.504	12.8	.666	16.9	.844	21.4	.688	17.5	02
10	0.625-24 UNEF	.82	20.8	.89	22.6	2.22	56.4	.650	16.5	.432	11.0	.825	21.0	.844	21.4	.812	20.6	03
12	0.750-20 UNEF	.94	23.8	.89	22.6	2.22	56.4	.650	16.5	.432	11.0	.825	21.0	.844	21.4	.812	20.6	03
14	0.875-20 UNEF	1.06	26.9	.99	25.1	2.29	58.2	.720	18.3	.441	11.2	.925	23.5	.984	25.0	.942	23.9	04
16	1.000-20 UNEF	1.17	29.7	1.14	29.0	2.34	59.4	.770	19.6	.575	14.6	1.094	27.8	1.125	28.6	1.066	27.1	05
18	1.0625-18 UNEF	1.46	37.1	1.34	34.0	2.37	60.2	.800	20.3	.796	20.2	1.094	27.8	1.344	34.1	1.066	27.1	05
20	1.1875-18 UNEF	1.60	40.6	1.34	34.0	2.37	60.2	.800	20.3	.796	20.2	1.094	27.8	1.344	34.1	1.066	27.1	05
22	1.3125-18 UNEF	1.70	43.2	1.34	34.0	2.52	64.0	.950	24.1	.695	17.7	1.187	30.1	1.469	37.3	1.192	30.3	06
24	1.4375-18 UNEF	1.84	46.7	1.34	34.0	2.52	64.0	.950	24.1	.695	17.7	1.187	30.1	1.469	37.3	1.192	30.3	06