

# Series 40 TAG Ring® Backshells

for MIL-DTL-38999 Series I and II Connectors

## 400FD011 TAG Ring® Backshell, Self-Locking, Split, 90°



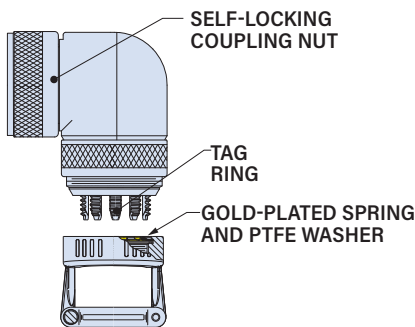
**Self-Locking**

**Individual shield termination. Self-locking.** 400FD011 backshell fits MIL-DTL-38999 Series I and Series II connectors. Spin coupling, non-environmental. Grounding ring has slots for individual cable shields. Anti-decoupling mechanism provides audible detented coupling and prevents backoff under high vibration. Coupling nut, adapter and ground ring are aluminum alloy. Gold plated copper alloy ground spring, PTFE washer. Saddle clamp is aluminum alloy with stainless steel hardware.

- Terminal-And-Grounding (TAG) ring for individual shields
- Gold-plated ground spring
- Self-locking coupling nut
- No tools required for disassembly and repair

### Adapter Code **F**

This accessory fits these connectors:  
MIL-DTL-38999 Series I and Series II



### PART NUMBER

		<b>400FD011</b>	<b>NF</b>	<b>22</b>	<b>09</b>	<b>L</b>																																															
<b>Base P/N</b>	<b>400FD011</b>																																																				
<b>Material/Finish</b>	<b>M</b> Alum/ Electroless Nickel <b>MT</b> Alum/ Nickel-PTFE <b>NF</b> Alum/ Olive Drab Cadmium <b>ZR</b> Alum/ Black Zinc-Nickel <b>TZ</b> Alum/ Tin-Zinc																																																				
<b>Shell Size</b>	<table border="1"> <tr> <td></td> <td colspan="10" style="text-align: center;">Shell Size</td> </tr> <tr> <td>38999 Series I</td> <td>9</td><td>11</td><td>13</td><td>15</td><td>17</td><td>19</td><td>21</td><td>23</td><td>25</td> <td></td><td></td> </tr> <tr> <td>38999 Series II</td> <td>8</td><td>10</td><td>12</td><td>14</td><td>16</td><td>18</td><td>20</td><td>22</td><td>24</td> <td></td><td></td> </tr> <tr> <td>Size Code</td> <td><b>08</b></td><td><b>10</b></td><td><b>12</b></td><td><b>14</b></td><td><b>16</b></td><td><b>18</b></td><td><b>20</b></td><td><b>22</b></td><td><b>24</b></td> <td></td><td></td> </tr> </table>							Shell Size										38999 Series I	9	11	13	15	17	19	21	23	25			38999 Series II	8	10	12	14	16	18	20	22	24			Size Code	<b>08</b>	<b>10</b>	<b>12</b>	<b>14</b>	<b>16</b>	<b>18</b>	<b>20</b>	<b>22</b>	<b>24</b>		
	Shell Size																																																				
38999 Series I	9	11	13	15	17	19	21	23	25																																												
38999 Series II	8	10	12	14	16	18	20	22	24																																												
Size Code	<b>08</b>	<b>10</b>	<b>12</b>	<b>14</b>	<b>16</b>	<b>18</b>	<b>20</b>	<b>22</b>	<b>24</b>																																												
<b>Entry Size</b>	See Table 1																																																				
<b>Strain Relief</b>	<b>L</b> Saddle Clamp																																																				

**TABLE 1: ENTRY SIZE**

Entry Size	L Max		Cable Entry				No. of Slots	Shell Size Range
	in	mm	Min.	Max.	in	mm		
<b>02</b>	.968	24.6	.125	3.2	.250	6.4	3	8-24
<b>03</b>	1.046	26.6	.250	6.4	.375	9.5	4	10-24
<b>04</b>	1.156	29.4	.375	9.5	.500	12.7	6	12-24
<b>05</b>	1.218	30.9	.500	12.7	.625	15.9	8	14-24
<b>06</b>	1.343	34.1	.625	15.9	.750	19.1	10	16-24
<b>07</b>	1.468	37.3	.750	19.1	.875	22.2	10	18-24
<b>08</b>	1.593	40.5	.875	22.2	1.000	25.4	12	20-24
<b>09</b>	1.718	43.6	.937	23.8	1.125	28.6	15	22-24
<b>10</b>	1.843	46.8	1.062	27.0	1.250	31.8	15	24

Shell Size	A Thread	øB Max.		D Max.		F Max.		Max. Entry Size
		in	mm	in	mm	in	mm	
8/9	0.4375-28	.86	21.8	.84	21.3	1.86	47.2	<b>02</b>
10/11	0.5625-24	.97	24.6	.91	23.1	1.98	50.3	<b>03</b>
12/13	0.6875-24	1.11	28.2	.97	24.6	2.11	53.6	<b>04</b>
14/15	0.8125-20	1.21	30.7	1.03	26.2	2.20	55.9	<b>05</b>
16/17	0.9375-20	1.35	34.3	1.09	27.7	2.36	59.9	<b>06</b>
18/19	1.0625-18	1.46	37.1	1.16	29.5	2.48	63.0	<b>07</b>
20/21	1.1875-18	1.60	40.6	1.22	31.0	2.61	66.3	<b>08</b>
22/23	1.3125-18	1.70	43.2	1.28	32.5	2.84	72.1	<b>09</b>
24/25	1.4375-18	1.84	46.7	1.34	34.0	2.95	74.9	<b>10</b>

