

Series 40 TAG Ring® Backshells

for MIL-DTL-38999 Series III and IV Connectors

400H*001 TAG Ring® Backshell

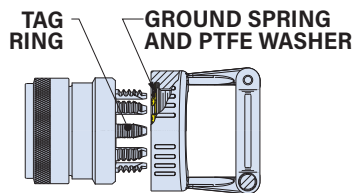


Individual shield termination. 400H*001 backshell fits MIL-DTL-38999 Series III and IV connectors. Spin coupling, non-environmental. Grounding ring has slots for individual cable shields. Coupling nut, adapter and ground ring are aluminum alloy. Gold plated copper alloy ground spring, PTFE washer. Saddle clamp is aluminum alloy with stainless steel hardware.

- Terminal-And-Grounding (TAG) ring for individual shields
- Gold-plated ground spring
- Saddle clamp strain relief
- 3 profiles: straight, 45° and 90°
- No tools required for disassembly and repair

Adapter Code **H**

This accessory fits these connectors:
MIL-DTL-38999 Series III and Series IV



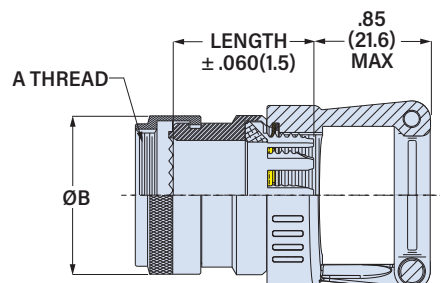
PROFILE SELECTION GUIDE

S Straight

A 90° **B** 45°

PART NUMBER

		400HS001	M	19	06	L	3				
Base P/N	Base Part No.										
	Profile										
	400HS001	S Straight									
	400HA001	A 90°									
	400HB001	B 45°									
Material/Finish	M	Alum/ Electroless Nickel									
	MT	Alum/ Nickel-PTFE									
	NF	Alum/ Olive Drab Cadmium									
	ZR	Alum/ Black Zinc-Nickel									
	TZ	Alum/ Tin-Zinc									
Shell Size	Shell Size	9	11	13	15	17	19	21	23	25	
	Size Code	09	11	13	15	17	19	21	23	25	
Entry Size	Entry Size	Max. Cable Dia.	Shell Size*	Entry Size	Max. Cable Dia.	Shell Size*					
	02	.250 (6.4)	09-25	07	.875 (22.2)	21-25					
	03	.375 (9.5)	11-25	08	1.000 (25.4)	23-25					
	04	.500 (12.2)	13-25	09	1.125 (28.6)	25					
	05	.625 (15.9)	15-25	10	1.250 (31.8)	-					
	06	.750 (19.1)	17-25								
	<i>* If selected entry size exceeds shell size range, a Style 2 transition adapter will be included. See Maximum Entry Size for details.</i>										
Strain Relief	L	Saddle Clamp									
Length	3	1.5 inches		<i>Applies to Profile S only. If Entry Size is greater than "Maximum Entry Size" (see next page), then 2 inch minimum applies.</i>							
	4	2.0 inches									
	6	3.0 inches									

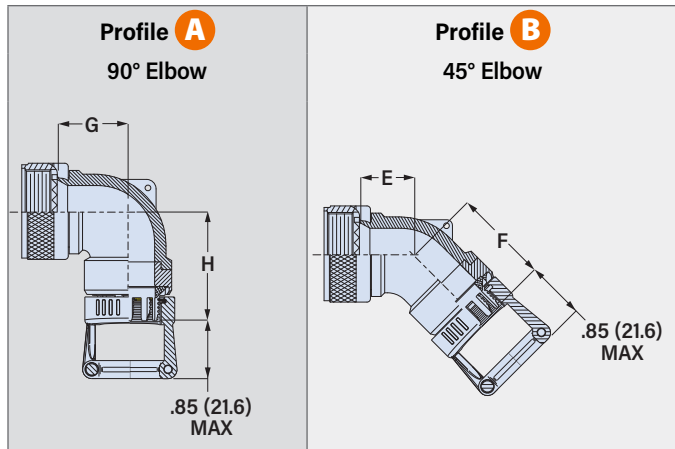


Shell Size	A Thread	øB Max in	øB Max mm
9 (A)	M12X1.0-6H	.77	19.6
11 (B)	M15X1.0-6H	.84	21.3
13 (C)	M18X1.0-6H	.96	24.4
15 (D)	M22X1.0-6H	1.09	27.7
17 (E)	M25X1.0-6H	1.23	31.2
19 (F)	M28X1.0-6H	1.36	34.5
21 (G)	M31X1.0-6H	1.48	37.6
23 (H)	M34X1.0-6H	1.60	40.6
25 (J)	M37X1.0-6H	1.72	43.7

Series 40 TAG Ring® Backshells

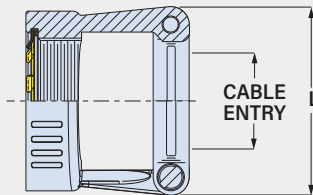
for MIL-DTL-38999 Series III and IV Connectors

400H*001 TAG Ring® Backshell



Shell Size	E Max		F Max		G Max		H Max	
	in	mm	in	mm	in	mm	in	mm
9 (A)	.457	11.6	1.660	42.2	.500	12.7	1.670	42.4
11 (B)	.520	13.2	1.720	43.7	.595	15.1	1.790	45.5
13 (C)	.582	14.8	1.780	45.2	.610	15.5	1.810	46.0
15 (D)	.645	16.4	1.870	47.5	.700	17.8	1.880	47.8
17 (E)	.738	18.7	1.980	50.3	.885	22.5	1.970	50.0
19 (F)	.926	23.5	2.170	55.1	.975	24.8	2.140	54.4
21 (G)	.926	23.5	2.170	55.1	.975	24.8	2.140	54.4
23 (H)	1.020	25.9	2.320	58.9	1.125	28.6	2.250	57.2
25 (J)	1.020	25.9	2.320	58.9	1.125	28.6	2.250	57.2

STRAIN RELIEF DIMENSIONS



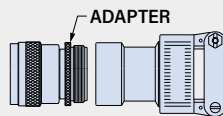
Entry Size	L Max		Cable Range			
	in	mm	Min.	in	Max.	mm
02	.968	24.6	.125	3.2	.250	6.4
03	1.046	26.6	.250	6.4	.375	9.5
04	1.156	29.4	.375	9.5	.500	12.7
05	1.218	30.9	.500	12.7	.625	15.9
06	1.343	34.1	.625	15.9	.750	19.1
07	1.468	37.3	.750	19.1	.875	22.2
08	1.593	40.5	.875	22.2	1.000	25.4
09	1.718	43.6	.937	23.8	1.125	28.6
10	1.843	46.8	1.062	27.0	1.250	31.8

MAXIMUM ENTRY SIZE

If the selected entry size exceeds the maximum size in this table, the backshell will have a front adapter. This is called a **Style 2** backshell.

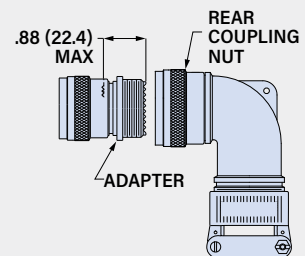
Shell Size	Maximum Entry Size
9 (A)	02
11 (B)	03
13 (C)	04
15 (D)	05
17 (E)	06
19 (F)	06
21 (G)	07
23 (H)	08
25 (J)	09

Style 2 Straight Backshell



The minimum length code increases from 3 (1.5 inches) to 4 (2 inches).

Style 2 45° and 90° Backshells



For 45° and 90° backshells, the length increases by .88 inches.