

# Series 40 TAG Ring® Backshells

for AS50151 Crimp, M26482 Series II, M83723 Series III, AS95234

## 407A\*037 TAG Ring® Backshell, Banding, Shrink Boot



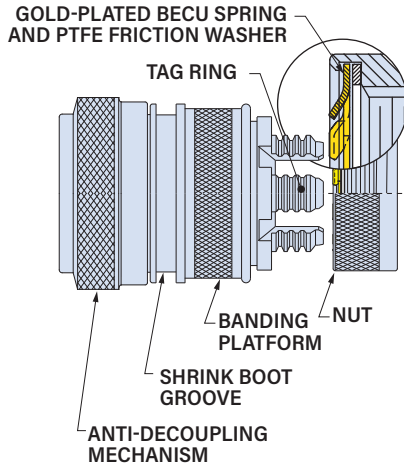
**Self-Locking**

**Self-locking. Boot groove. Banding platform.** 407A\*037 backshell fits AS50151 crimp, MIL-DTL-26482 Series II, MIL-DTL-83723 Series III, and AS95234 connectors. Grounding ring has slots for individual cable shields. Attach overall cable shield to banding platform with BandMaster ATS strap (not supplied). Install shrink boot for strain relief and environmental sealing. Anti-decoupling mechanism provides audible detented coupling and prevents backoff under high vibration. Aluminum or SST. Gold plated copper alloy ground spring, PTFE washer.

- Terminal-And-Grounding (TAG) ring for individual shields
- Banding platform for overall shield
- Gold-plated ground spring
- Self-locking coupling nut
- Groove for lipped shrink boot

### Adapter Code **A**

AS50151 crimp, AS95234, MIL-DTL-26482 Ser. II, MIL-DTL-83723 Ser. III



### PART NUMBER

	<b>407AS037</b>	<b>ZI</b>	<b>14</b>	<b>04</b>	<b>G</b>	<b>3</b>	<b>S</b>
<b>Base P/N</b>	<b>407AS037</b> Straight <b>407AJ037</b> 90°						
<b>Material/Finish</b>	<b>M</b> Alum/ Electroless Nickel <b>MT</b> Alum/ Nickel-PTFE <b>NF</b> Alum/ Olive Drab Cadmium <b>ZR</b> Alum/ Black Zinc-Nickel <b>TZ</b> Alum/ Tin-Zinc <b>ZI</b> SST/ Passivate						
<b>Shell Size</b>	<b>08 10 12 14 16 18 20 22 24</b>						
<b>Entry Size</b>	See Table 1						
<b>Strain Relief</b>	<b>G</b> Nut						
<b>Length</b>	<b>3</b> 1.5 inches <b>4</b> 2.0 inches <b>5</b> 2.5 inches <b>6</b> 3.0 inches						Applies to straight profile only (407AS037)
<b>Self-Locking</b>	<b>S</b> Self-Locking Coupling Nut						

**TABLE 1: ENTRY SIZE**

Entry Size	F Max		G Max		Cable Entry				No. of Slots	Shell Size Range
	in	mm	in	mm	Min. in	Min. mm	Max. in	Max. mm		
02	.545	13.8	.650	16.5	.125	3.2	.250	6.4	3	08-24
03	.670	17.0	.774	19.7	.250	6.4	.375	9.5	4	10-24
04	.795	20.2	.963	24.5	.375	6.4	.500	12.7	6	12-24
05	.920	23.4	1.042	26.5	.500	9.5	.625	15.9	8	14-24
06	1.045	26.5	1.217	30.9	.625	12.7	.750	19.1	10	16-24
07	1.170	29.7	1.355	34.4	.750	19.1	.875	22.2	10	20-24
08	1.295	32.9	1.443	36.7	.875	22.2	1.000	25.4	12	22-24
09	1.420	36.1	1.709	43.4	.937	23.8	1.125	28.6	15	24

Shell Size	A Thread Class 2B	øB Max. in	mm	K Max. in	mm	L Max. in	mm	Max. Entry Size
08	0.500-20 UNF	.69	17.5	.906	23.0	2.35	59.7	02
10	0.625-24 UNEF	.82	20.8	.966	24.5	2.41	61.2	03
12	0.750-20 UNEF	.94	23.8	1.026	26.1	2.47	62.7	04
14	0.875-20 UNEF	1.06	26.9	1.076	27.3	2.54	64.5	05
16	1.000-20 UNEF	1.17	29.7	1.136	28.9	2.60	66.0	06
18	1.0625-18 UNEF	1.46	37.1	1.176	29.9	2.62	66.5	06
20	1.1875-18 UNEF	1.60	40.6	1.236	31.4	2.68	68.1	07
22	1.3125-18 UNEF	1.70	43.2	1.296	32.9	2.76	70.1	08
24	1.4375-18 UNEF	1.84	46.7	1.356	34.4	2.83	71.9	09

