

Series 40 TAG Ring® Backshells

for MIL-DTL-38999 Series I and II Connectors

407F*037 TAG Ring® Backshell, Banding, Shrink Boot

Self-Locking



Self-locking. Boot groove. Banding platform. 407F*037 backshell fits MIL-DTL-38999 Series I and II connectors. Grounding ring has slots for individual cable shields. Attach overall cable shield to banding platform with BandMaster ATS strap (not supplied). Install shrink boot for strain relief and environmental sealing. Anti-decoupling mechanism provides audible detented coupling and prevents backoff under high vibration. Aluminum or SST. Gold plated copper alloy ground spring, PTFE washer. Silicone O-ring.

- Terminal-And-Grounding (TAG) ring for individual shields
- Banding platform for overall shield
- Gold-plated ground spring
- Self-locking coupling nut
- Groove for lipped shrink boot

Adapter Code F

This accessory fits these connectors:
MIL-DTL-38999 Series I and Series II

PART NUMBER

	407FS037	ZI	14	04	G	3	S																																						
Base P/N	407FS037 Straight 407FJ037 90°																																												
Material/Finish	M Alum/ Electroless Nickel MT Alum/ Nickel-PTFE NF Alum/ Olive Drab Cadmium ZR Alum/ Black Zinc-Nickel TZ Alum/ Tin-Zinc ZI SST/ Passivate																																												
Shell Size	<table border="1"> <tr> <td></td> <td colspan="7">Shell Size</td> </tr> <tr> <td>38999 Series I</td> <td>9</td><td>11</td><td>13</td><td>15</td><td>17</td><td>19</td><td>21</td><td>23</td><td>25</td> </tr> <tr> <td>38999 Series II</td> <td>8</td><td>10</td><td>12</td><td>14</td><td>16</td><td>18</td><td>20</td><td>22</td><td>24</td> </tr> <tr> <td>Size Code</td> <td>08</td><td>10</td><td>12</td><td>14</td><td>16</td><td>18</td><td>20</td><td>22</td><td>24</td> </tr> </table>								Shell Size							38999 Series I	9	11	13	15	17	19	21	23	25	38999 Series II	8	10	12	14	16	18	20	22	24	Size Code	08	10	12	14	16	18	20	22	24
	Shell Size																																												
38999 Series I	9	11	13	15	17	19	21	23	25																																				
38999 Series II	8	10	12	14	16	18	20	22	24																																				
Size Code	08	10	12	14	16	18	20	22	24																																				
Entry Size	See Table 1																																												
Strain Relief	G Nut																																												
Length	3 1.5 inches 4 2.0 inches 5 2.5 inches 6 3.0 inches	Applies to straight profile only (407FS037)																																											
Self-Locking	S Self-Locking Coupling Nut																																												

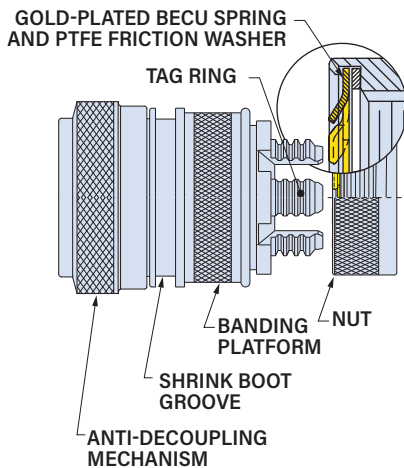


TABLE 1: ENTRY SIZE

Entry Size	F Max		G Max		Cable Entry				No. of Slots	Shell Size Range
	in	mm	in	mm	Min. in	Min. mm	Max. in	Max. mm		
02	.545	13.8	.650	16.5	.125	3.2	.250	6.4	3	08-24
03	.670	17.0	.774	19.7	.250	6.4	.375	9.5	4	10-24
04	.795	20.2	.963	24.5	.375	6.4	.500	12.7	6	12-24
05	.920	23.4	1.042	26.5	.500	9.5	.625	15.9	8	14-24
06	1.045	26.5	1.217	30.9	.625	12.7	.750	19.1	10	16-24
07	1.170	29.7	1.355	34.4	.750	19.1	.875	22.2	10	18-24
08	1.295	32.9	1.443	36.7	.875	22.2	1.000	25.4	12	20-24
09	1.420	36.1	1.709	43.4	.937	23.8	1.125	28.6	15	22-24
10	1.670	42.4	1.919	48.7	1.062	27.0	1.250	31.8	15	24

Shell Size	A Thread UNEF-2B	øB Max. in	øB Max. mm	K Max. in	K Max. mm	L Max. in	L Max. mm	Max. Entry Size
8/9	0.4375-28	.86	21.8	.906	23.0	2.35	59.7	02
10/11	0.5625-24	.97	24.6	.966	24.5	2.41	61.2	03
12/13	0.6875-24	1.11	28.2	1.026	26.1	2.47	62.7	04
14/15	0.8125-20	1.21	30.7	1.076	27.3	2.54	64.5	05
16/17	0.9375-20	1.35	34.3	1.136	28.9	2.60	66.0	06
18/19	1.0625-18	1.46	37.1	1.176	29.9	2.62	66.5	07
20/21	1.1875-18	1.60	40.6	1.236	31.4	2.68	68.1	08
22/23	1.3125-18	1.70	43.2	1.296	32.9	2.76	70.1	09
24/25	1.4375-18	1.84	46.7	1.356	34.4	2.83	71.9	10

