

Series 40 TAG Ring® Backshells

for MIL-DTL-38999 Series I and II Connectors

407F*061 TAG Ring® Composite Backshell, Banding, Shrink Boot



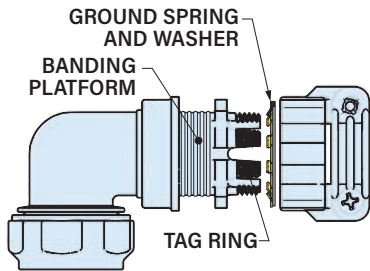
Self-Locking

Self-locking. Banding platform. Shrink boot accommodation. 407F*061 backshell fits MIL-DTL-38999 Series I and II connectors. Grounding ring has slots for individual cable shields. Attach overall cable shield to banding platform with BandMaster ATS strap (not supplied). Install shrink boot for strain relief and environmental sealing.

- Terminal-And-Grounding (TAG) ring for individual shields
- Banding platform for overall shield
- Gold-plated ground spring
- Self-locking coupling nut
- Groove for lipped shrink boot

Adapter Code **F**

This accessory fits these connectors:
MIL-DTL-38999 Series I and Series II



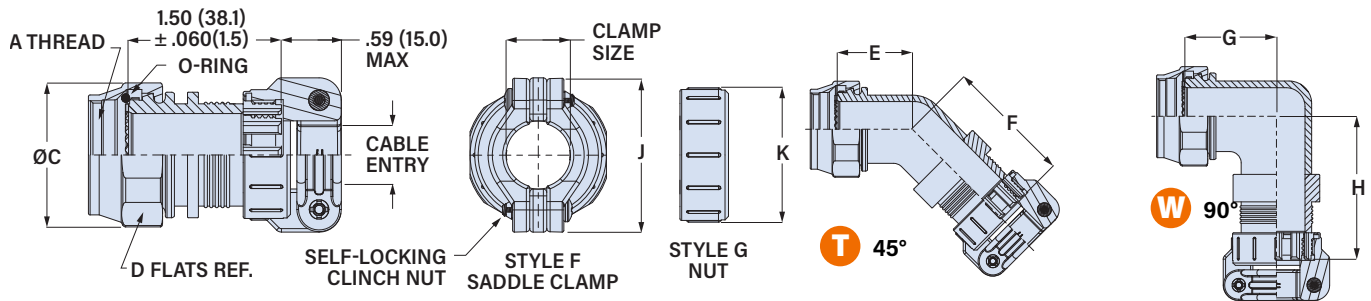
MATERIAL/FINISH

Adapter: Conductively plated thermoplastic
Coupling nut, strain relief: black composite thermoplastic
Ground spring: gold-plated copper alloy
Friction washer: PTFE
Saddle clamp hardware: SST
O-ring: silicone

PART NUMBER

	407FS061	XMD	1414	G	3
Base P/N	Base Part No.	Profile	Shell Size		
	407FS061	S Straight	08-28		
	407FT061	T 45°	08-24		
	407FW061	W 90°	08-28		
Adapter Finish	XMD	Electroless Nickel			
	XWD	Cadmium, Olive Drab			
	XZD	Black Zinc-Nickel			
Shell Size/ Entry Size	Shell Size- Entry Size	Shell Size	Shell Size- Entry Size	Shell Size	
	0810	08	1816	18	
	1010	10	2018	20	
	1212	12	2220	22	
	1414	14	2424	24	
	1616	16			
Strain Relief	F	Saddle Clamp			
	G	Nut			
Length	3	1.5 inches		<i>Omit for 90° profile. Length code applies to straight profile only.</i>	

S Straight



Shell Size/ Entry Size	Shell Size	A Thread UNEF-2B	øC Max.	D Flats (ref)		E Max.	F Max.	G Max.	H Max.	J ± .06 (1.5)		K ± .06 (1.5)		Cable Entry ± .06 (1.5)		Clamp Size ± .06 (1.5)						
				in	mm					in	mm	in	mm	in	mm	in	mm	in	mm	in	mm	
0810	8/9	0.4375-28	.86	21.8	.75	19.1	.841	21.4	1.75	44.5	.906	23.0	2.350	59.7	.94	23.9	.75	19.1	.24	6.1	.31	7.9
1010	10/11	0.5625-24	.98	24.9	.88	22.4	.875	22.2	1.78	45.2	.966	24.5	2.410	61.2	.94	23.9	.75	19.1	.24	6.1	.31	7.9
1212	12/13	0.6875-24	1.16	29.5	1.00	25.4	.870	22.1	1.80	45.7	1.026	26.1	2.470	62.7	1.17	29.7	.88	22.4	.37	9.4	.40	10.2
1414	14/15	0.8125-20	1.28	32.5	1.13	28.7	.878	22.3	1.83	46.5	1.076	27.3	2.540	64.5	1.28	32.5	1.00	25.4	.49	12.4	.52	13.2
1616	16/17	0.9375-20	1.41	35.8	1.25	31.8	.900	22.9	1.85	47.0	1.136	28.9	2.600	66.0	1.41	35.8	1.13	28.7	.62	15.7	.59	15.0
1816	18/19	1.0625-18	1.52	38.6	1.38	35.1	.910	23.1	1.87	47.5	1.176	29.9	2.620	66.5	1.41	35.8	1.13	28.7	.62	15.7	.59	15.0
2018	20/21	1.1875-18	1.64	41.7	1.50	38.1	.940	23.9	1.89	48.0	1.236	31.4	2.680	68.1	1.54	39.1	1.25	31.8	.74	18.8	.75	19.1
2220	22/23	1.3125-18	1.77	45.0	1.63	41.4	.980	24.9	1.93	49.0	1.296	32.9	2.760	70.1	1.66	42.2	1.38	35.1	.86	21.8	.83	21.1
2424	24/25	1.4375-18	1.89	48.0	1.75	44.5	1.010	25.7	1.96	49.8	1.356	34.4	2.830	71.9	1.89	48.0	1.63	41.4	1.12	28.4	.95	24.1