

# Series 40 TAG Ring® Backshells

for MIL-DTL-38999 Series III and IV Connectors

## 407H\*037 TAG Ring® Backshell, Banding, Shrink Boot



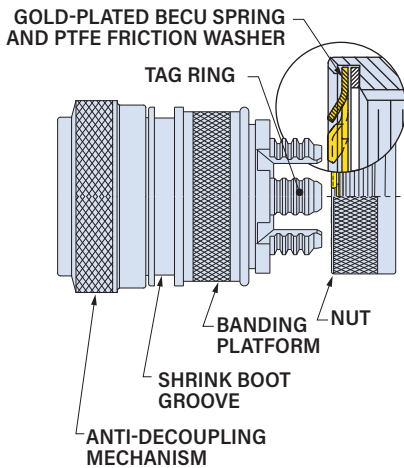
**Self-Locking**

**Self-locking. Boot groove. Banding platform.** 407H\*037 backshell fits MIL-DTL-38999 Series III and IV connectors. Grounding ring has slots for individual cable shields. Attach overall cable shield to banding platform with BandMaster ATS strap (not supplied). Install shrink boot for strain relief and environmental sealing. Anti-decoupling mechanism provides audible detented coupling and prevents backoff under high vibration. Aluminum or SST. Gold plated copper alloy ground spring, PTFE washer.

- Terminal-And-Grounding (TAG) ring for individual shields
- Banding platform for overall shield
- Gold-plated ground spring
- Self-locking coupling nut
- Groove for lipped shrink boot

### Adapter Code **H**

This accessory fits these connectors:  
MIL-DTL-38999 Series III and Series IV



### PART NUMBER

	<b>407HS037</b>	<b>Z1</b>	<b>13</b>	<b>03</b>	<b>G</b>	<b>3</b>	<b>S</b>			
<b>Base P/N</b>	<b>407HS037</b> Straight <b>407HJ037</b> 90°									
<b>Material/Finish</b>	<b>M</b> Alum/ Electroless Nickel <b>MT</b> Alum/ Nickel-PTFE <b>NF</b> Alum/ Olive Drab Cadmium <b>ZR</b> Alum/ Black Zinc-Nickel <b>TZ</b> Alum/ Tin-Zinc <b>Z1</b> SST/ Passivate									
<b>Shell Size</b>	Shell Size Size Code	9 <b>09</b>	11 <b>11</b>	13 <b>13</b>	15 <b>15</b>	17 <b>17</b>	19 <b>19</b>	21 <b>21</b>	23 <b>23</b>	25 <b>25</b>
<b>Entry Size</b>	See Table 1									
<b>Strain Relief</b>	<b>G</b> Nut									
<b>Length</b>	<b>3</b> 1.5 inches <b>4</b> 2.0 inches <b>5</b> 2.5 inches <b>6</b> 3.0 inches									<i>Applies to 407HS037 only.</i>
<b>Self-Locking</b>	<b>S</b> Self-Locking Coupling Nut									

**TABLE 1: ENTRY SIZE**

Entry Size	F Max in mm	G Max in mm	Cable Entry				No. of Slots	Shell Size Range		
			Min. in mm	Max. in mm	in mm	in mm				
02	.545	13.8	.650	16.5	.125	3.2	.250	6.4	3	09-25
03	.670	17.0	.774	19.7	.250	6.4	.375	9.5	4	11-25
04	.795	20.2	.963	24.5	.375	9.5	.500	12.7	6	13-25
05	.920	23.4	1.042	26.5	.500	12.7	.625	15.9	8	15-25
06	1.045	26.5	1.217	30.9	.625	15.9	.750	19.1	10	17-25
07	1.170	29.7	1.355	34.4	.750	19.1	.875	22.2	10	21-25
08	1.295	32.9	1.443	36.7	.875	22.2	1.000	25.4	12	23-25
09	1.420	36.1	1.709	43.4	.937	23.8	1.125	28.6	15	25

Shell Size	A Thread	øB Max in mm	K Max. in mm	L Max. in mm	Max. Entry Size
9 (A)	M12X1.0-6H	.94 23.9	.906 23.0	2.35 59.7	<b>02</b>
11 (B)	M15X1.0-6H	1.06 26.9	.966 24.5	2.41 61.2	<b>03</b>
13 (C)	M18X1.0-6H	1.17 29.7	1.026 26.1	2.47 62.7	<b>04</b>
15 (D)	M22X1.0-6H	1.29 32.8	1.076 27.3	2.54 64.5	<b>05</b>
17 (E)	M25X1.0-6H	1.42 36.1	1.136 28.9	2.60 66.0	<b>06</b>
19 (F)	M28X1.0-6H	1.54 39.1	1.176 29.9	2.62 66.5	<b>07</b>
21 (G)	M31X1.0-6H	1.67 42.4	1.236 31.4	2.68 68.1	<b>08</b>
23 (H)	M34X1.0-6H	2.01 51.1	1.296 32.9	2.76 70.1	<b>09</b>
25 (J)	M37X1.0-6H	2.12 53.8	1.356 34.4	2.83 71.9	<b>10</b>

