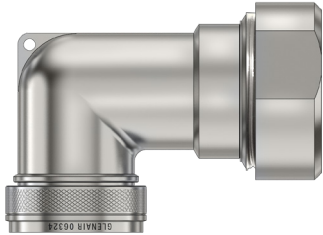


# Series 42 LFMC Conduit Adapters

for AS50151 Crimp, M26482 Series II, M83723 Series III, AS95234

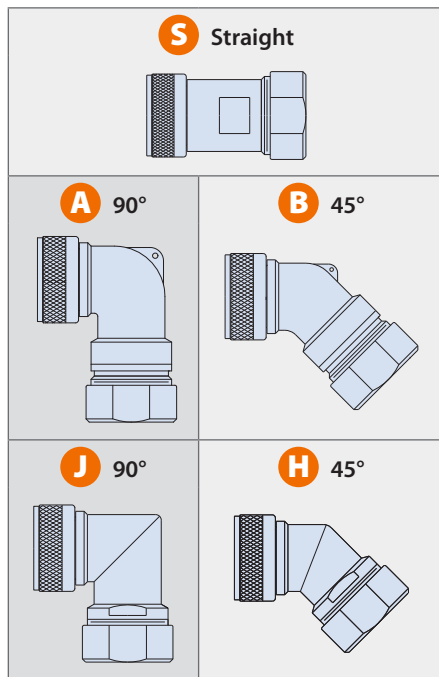
## 420A\*001 Adapter for LFMC Liquid-tight Flexible Metal Conduit



**Watertight. Grounded. Spin coupling.** 420A\*001 adapter fits AS50151 crimp (MS3450), AS95234, MIL-DTL-26482 Series II, MIL-DTL-83723 Series III connectors. Spin coupling, environmental. Compatible with LFMC liquid-tight flexible metal conduit conforming to UL 360. Install grounding ferrule onto conduit, then tighten nut until ferrule is compressed onto metal core and jacket. Aluminum or stainless steel. Ferrule is zinc-plated steel (trade size 1 or smaller) or aluminum (trade size 1¼ or larger).

**Adapter Code A**  
AS50151 crimp, AS95234, MIL-DTL-26482 Ser. II, MIL-DTL-83723 Ser. III

### PROFILE SELECTION GUIDE



### PART NUMBER

420AS001 M 18 03 -3

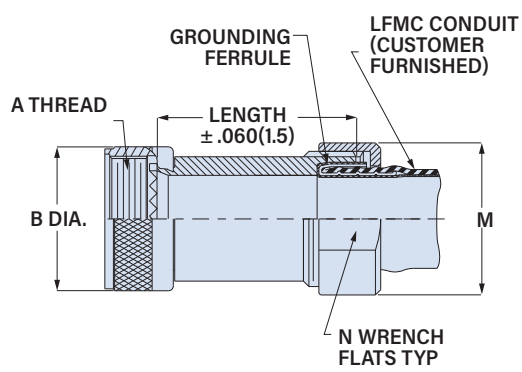
Base P/N	Base Part No.	Profile
	420AS001	S Straight
	420AA001	A 90°
	420AB001	B 45°
	420AH001	H 45° Cut/Weld
	420AJ001	J 90° Cut/Weld

Material/Finish	M	Alum/ Electroless Nickel
	MT	Alum/ Nickel-PTFE
	NF	Alum/ Olive Drab Cadmium
	ZR	Alum/ Black Zinc-Nickel
	TZ	Alum/ Tin-Zinc
	ZI	SST/Passivate (Profiles H, J, S only)

Shell Size 08 10 12 14 16 18 20 22 24 28 32 36

Conduit Size	Size Code	Conduit Trade Size	Conduit Diameter (ref.)			
			Inside		Outside	
			in	mm	in	mm
01		3/8	.484/.504	12.3/12.8	.690/.710	17.5/18.0
02		1/2	.622/.642	15.8/16.3	.820/.840	20.8/21.3
03		3/4	.820/.840	20.8/21.3	1.030/1.050	26.2/26.7
04		1	1.040/1.066	26.4/27.1	1.290/1.315	32.8/33.4
05		1 1/4	1.380/1.410	35.1/35.8	1.630/1.660	41.4/42.2
06		1 1/2	1.575/1.600	40.0/40.6	1.875/1.900	47.6/48.3
07		2	2.020/2.045	51.3/51.9	2.350/2.375	59.7/60.3

Length -3 1.5 inches  
-4 2.0 inches  
-6 3.0 inches  
*Applies to Profile S only. Length in 1/2 inch increments.*



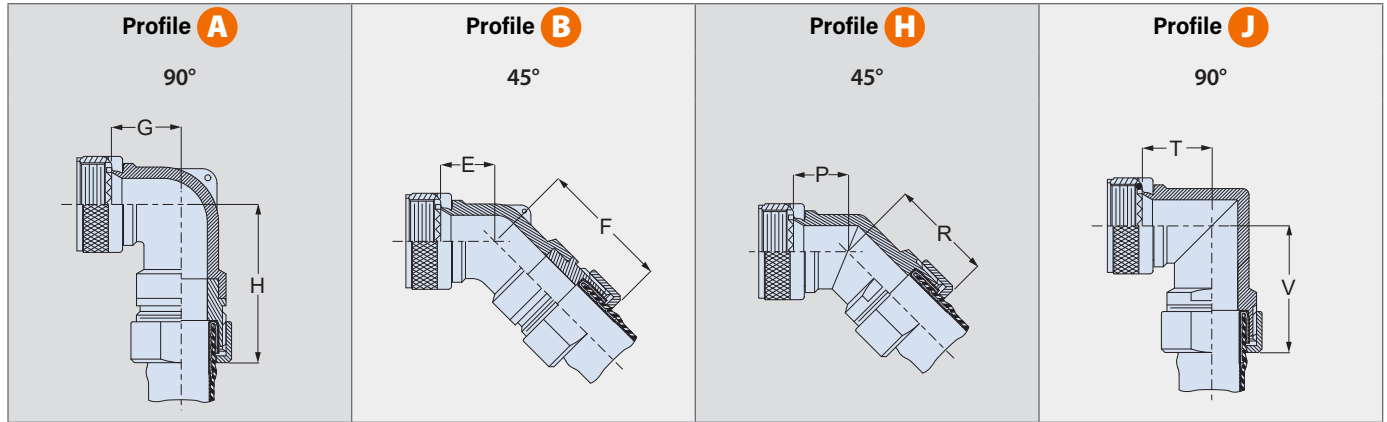
Shell Size	A Thread Class 2B	øB Max in	øB Max mm
08	0.500-20 UNF	.65	16.5
10	0.625-24 UNEF	.77	19.6
12	0.750-20 UNEF	.94	23.9
14	0.875-20 UNEF	1.07	27.2
16	1.000-20 UNEF	1.21	30.7
18	1.0625-18 UNEF	1.23	31.2
20	1.1875-18 UNEF	1.36	34.5
22	1.3125-18 UNEF	1.48	37.6
24	1.4375-18 UNEF	1.73	43.9
28	1.750-18 UNS	1.97	50.0
32	2.000-18 UNS	2.22	56.4
36	2.250-16 UN	2.47	62.7

Conduit Size	Trade Size	M Max		N Max	
		in	mm	in	mm
01	3/8	1.155	29.3	1.000	25.4
02	1/2	1.282	32.6	1.125	28.6
03	3/4	1.531	38.9	1.375	34.9
04	1	1.781	45.2	1.625	41.3
05	1 1/4	2.218	56.3	2.062	52.4
06	1 1/2	2.468	62.7	2.312	58.7
07	2	3.031	77.0	2.875	73.0

# Series 42 LFMC Conduit Adapters

for AS50151 Crimp, M26482 Series II, M83723 Series III, AS95234

## 420A\*001 Adapter for LFMC Liquid-tight Flexible Metal Conduit



Shell Size	E Max		F Max		G Max		H Max		P Max		R Max		T Max		V Max	
	in	mm	in	mm	in	mm	in	mm	in	mm	in	mm	in	mm	in	mm
08	.457	11.6	1.810	46.0	.500	12.7	1.820	46.2	.726	18.4	1.406	35.7	.858	21.8	1.538	39.1
10	.520	13.2	1.870	47.5	.595	15.1	1.940	49.3	.750	19.1	1.430	36.3	.917	23.3	1.597	40.6
12	.582	14.8	1.930	49.0	.610	15.5	1.960	49.8	.776	19.7	1.456	37.0	.979	24.9	1.659	42.1
14	.645	16.4	2.020	51.3	.700	17.8	2.030	51.6	.790	20.1	1.479	37.6	1.036	26.3	1.716	43.6
16	.738	18.7	2.130	54.1	.885	22.5	2.120	53.8	.825	21.0	1.505	38.2	1.099	27.9	1.779	45.2
18	.926	23.5	2.320	58.9	.975	24.8	2.290	58.2	.845	21.5	1.525	38.7	1.147	29.1	1.826	46.4
20	.926	23.5	2.320	58.9	.975	24.8	2.290	58.2	.873	22.2	1.553	39.4	1.215	30.9	1.895	48.1
22	1.020	25.9	2.470	62.7	1.125	28.6	2.400	61.0	.899	22.8	1.579	40.1	1.277	32.4	1.957	49.7
24	1.020	25.9	2.470	62.7	1.125	28.6	2.400	61.0	.925	23.5	1.605	40.8	1.340	34.0	2.020	51.3
28	1.145	29.1	2.520	64.0	1.225	31.1	2.570	65.3	.954	24.2	1.634	41.5	1.409	35.8	2.089	53.1
32	1.207	30.7	2.620	66.5	1.575	40.0	2.820	71.6	1.005	25.5	1.685	42.8	1.532	38.9	2.212	56.2
36	1.238	31.4	2.710	68.8	1.775	45.1	2.820	71.6	1.049	26.6	1.729	43.9	1.640	41.7	2.320	58.9