

# Series 42 LFMC Conduit Adapters

for AS50151 Solder Connectors

## 420B\*002 Adapter for LFMC Liquid-tight Flexible Metal Conduit



**Adapter Code B**

Fits AS50151 Series 1 AN Type solder Connectors . AS310\*1, MS3100.

### PROFILE SELECTION GUIDE

**S** Straight

**A** 90°

**B** 45°

**Watertight. Grounded. Direct coupling.** 420B\*002 backshell fits AS50151 (MS5015) solder connectors. Direct coupling, environmental. Compatible with LFMC liquid-tight flexible metal conduit conforming to UL 360. Install grounding ferrule onto conduit, then tighten nut until ferrule is compressed onto metal core and jacket. Aluminum or stainless steel. Ferrule is zinc-plated steel (trade size 1 or smaller) or aluminum (1¼ or larger). O-ring and gasket are neoprene.

### PART NUMBER

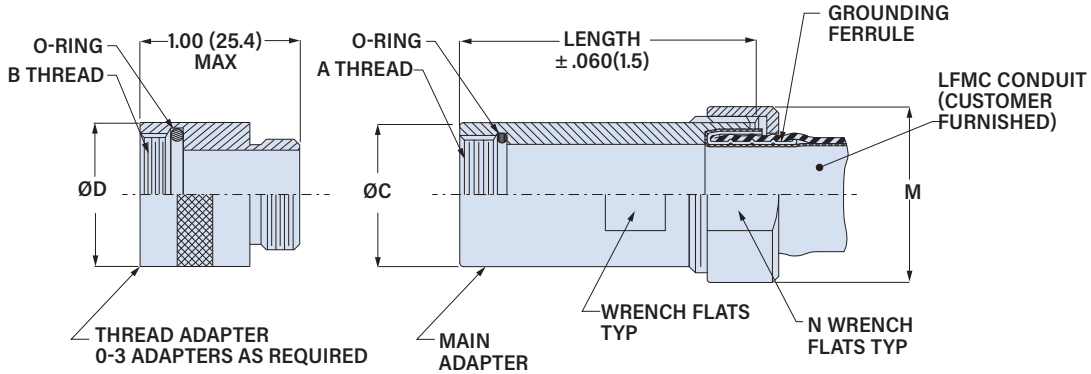
420BS002 M 16 02 -3 A

Base P/N	Base Part No. Profile						
	420BS002 S Straight						
	420BA002 A 90°						
	420BB002 B 45°						
Material/Finish	M Alum/ Electroless Nickel						
	MT Alum/ Nickel-PTFE						
	NF Alum/ Olive Drab Cadmium						
	ZR Alum/ Black Zinc-Nickel						
	TZ Alum/ Tin-Zinc						
	ZI SST/Passivate (Profile S only)						
Shell Size	Code Shell Size	Code Shell Size					
	05 10S	20 22					
	08 10SL	21 24					
	11 12, 12S	22 28					
	14 14, 14S	23 32					
	15 16, 16S	26 36					
	16 18	31 40					
	17 20						
	Conduit Size	Size Code	Conduit Trade Size	Conduit Diameter (ref.)			
				Inside		Outside	
			in	mm	in	mm	
01		⅜	.484/.504	12.3/12.8	.690/.710	17.5/18.0	
02		½	.622/.642	15.8/16.3	.820/.840	20.8/21.3	
03		¾	.820/.840	20.8/21.3	1.030/1.050	26.2/26.7	
04		1	1.040/1.066	26.4/27.1	1.290/1.315	32.8/33.4	
05		1 ¼	1.380/1.410	35.1/35.8	1.630/1.660	41.4/42.2	
06		1 ½	1.575/1.600	40.0/40.6	1.875/1.900	47.6/48.3	
07		2	2.020/2.045	51.3/51.9	2.350/2.375	59.7/60.3	
Length	-3	1.5 inches	Applies to Profile S only. Length in ½ inch increments.				
	-4	2.0 inches					
	-6	3.0 inches					
Connector Manufacturer Code	A	Universal	Compatible with all manufacturers. includes additional thread adapter(s) as necessary to fit multiple manufacturers. See following page for thread dimensions.				

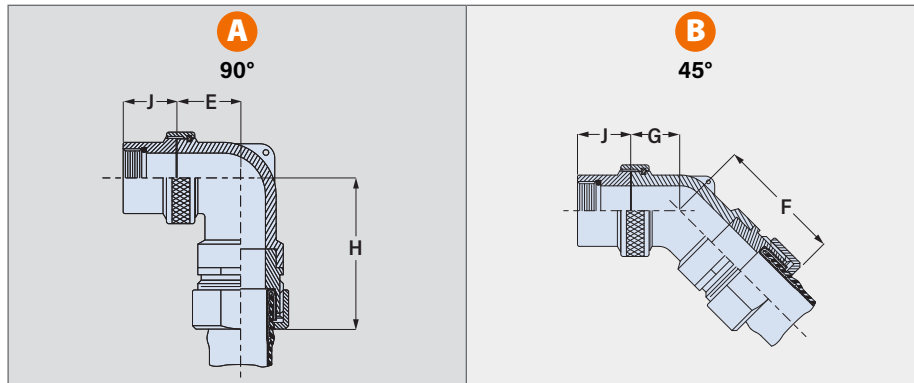
# Series 42 LFMC Conduit Adapters

for AS50151 Solder Connectors

## 420B\*002 Adapter for LFMC Liquid-tight Flexible Metal Conduit



Shell Code	Shell Size	A Class 2B	No. of Thread Adapters	B Class 2B	øC Max		øD Max		J Max	
					in	mm	in	mm	in	mm
05	10S	0.5000-28 UNEF	1	0.5625-24 UNEF	.724	18.4	.687	17.4	1.250	31.8
08	10SL	0.5625-24 UNEF	1	0.6250-24 UNEF	.724	18.4	.687	17.4	1.250	31.8
11	12, 12S	0.6250-24 UNEF	1	0.6875-24 UNEF	.848	21.5	.812	20.6	1.250	31.8
14	14, 14S	0.7500-20 UNEF	0	N/A	.974	24.7	N/A	N/A	1.250	31.8
15	16, 16S	0.8750-20 UNEF	0	N/A	1.102	28.0	N/A	N/A	1.560	39.6
16	18	1.0000-20 UNEF	0	N/A	1.220	31.0	N/A	N/A	1.560	39.6
17	20	1.1250-18 UNEF	1	1.1250-24 UNS	1.343	34.1	1.312	33.3	1.560	39.6
20	22	1.2500-18 UNEF	0	N/A	1.343	34.1	N/A	N/A	1.560	39.6
21	24	1.3750-18 UNEF	0	N/A	1.468	37.3	N/A	N/A	1.560	39.6
22	28	1.6250-18 UNEF	0	N/A	1.593	40.5	N/A	N/A	1.560	39.6
23	32	1.8750-16 UN	1	1.90625-18 UNS	2.125	54.0	2.062	52.4	1.560	39.6
26	36	2.1250-16 UN	3	2.0625-16 UNS	2.375	60.3	2.312	58.7	1.560	39.6
				2.0625-20 UNEF						
				2.1250-18 UNS						
31	40	2.3750-16 UN	1	2.3125-16 UNS	2.625	66.7	2.562	65.1	1.560	39.6



Size Code	Conduit Trade Size	E Max		F Max		G Max		H Max		M Max		N Max	
		in	mm	in	mm	in	mm	in	mm	in	mm	in	mm
01	3/8	.630	16.0	1.870	47.5	.709	18.0	1.940	49.3	1.155	29.3	1.000	25.4
02	1/2	.692	17.6	1.930	49.0	.734	18.6	1.960	49.8	1.282	32.6	1.125	28.6
03	3/4	.848	21.5	2.130	54.1	.990	25.1	2.120	53.8	1.531	38.9	1.375	34.9
04	1	1.036	26.3	2.320	58.9	1.090	27.7	2.290	58.2	1.781	45.2	1.625	41.3
05	1 1/4	1.130	28.7	2.470	62.7	1.325	33.7	2.400	61.0	2.218	56.3	2.062	52.4
06	1 1/2	1.317	33.5	2.620	66.5	1.827	46.4	2.820	71.6	2.468	62.7	2.312	58.7
07	2	1.348	34.2	2.710	68.8	2.027	51.5	2.820	71.6	3.031	77.0	2.875	73.0