

Series 42 LFMC Conduit Adapters

for MIL-DTL-38999 Series III and IV Connectors

420H*001 Adapter for LFMC Liquid-tight Flexible Metal Conduit



Adapter Code H

This accessory fits these connectors:
MIL-DTL-38999 Series III and Series IV

PROFILE SELECTION GUIDE

S Straight

A 90° **B** 45°

J 90° **H** 45°

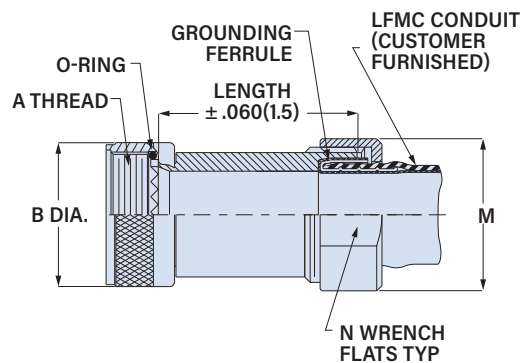
Watertight. Grounded. Spin coupling. 420H*001 adapter fits MIL-DTL-38999 Series III and IV connectors. Spin coupling, environmental. Compatible with LFMC liquid-tight flexible metal conduit conforming to UL 360. Install grounding ferrule onto conduit, then tighten nut until ferrule is compressed onto metal core and jacket. Aluminum or stainless steel. Ferrule is zinc-plated steel (trade size 1 or smaller) or aluminum (1½ or larger). Neoprene O-ring.

PART NUMBER

420HS001 NF 17 02 -3

| | | |
|------------------------|---------------------------|--------------------------------------------------------------------------------------|
| Base P/N | Base Part No. | Profile |
| | 420HS001 | S Straight |
| | 420HA001 | A 90° |
| | 420HB001 | B 45° |
| | 420HH001 | H 45° Cut/Weld |
| | 420HJ001 | J 90° Cut/Weld |
| Material/Finish | M | Alum/ Electroless Nickel |
| | MT | Alum/ Nickel-PTFE |
| | NF | Alum/ Olive Drab Cadmium |
| | ZR | Alum/ Black Zinc-Nickel |
| | TZ | Alum/ Tin-Zinc |
| | ZI | SST/Passivate (Profiles H, J, S only) |
| Shell Size | Shell Size | 9 11 13 15 17 19 21 23 25 |
| | Size Code | A B C D E F G H J |
| Conduit Size | Size Code | 09 11 13 15 17 19 21 23 25 |
| | Conduit Trade Size | 3/8 1/2 3/4 1 1 1/4 1 1/2 2 |
| Conduit Size | Size Code | 01 02 03 04 05 06 07 |
| | Conduit Trade Size | 3/8 1/2 3/4 1 1 1/4 1 1/2 2 |
| | Conduit Inside in | .484/.504 .622/.642 .820/.840 1.040/1.066 1.380/1.410 1.575/1.600 2.020/2.045 |
| | Conduit Inside mm | 12.3/12.8 15.8/16.3 20.8/21.3 26.4/27.1 35.1/35.8 40.0/40.6 51.3/51.9 |
| | Conduit Outside in | .690/.710 1.030/1.050 1.290/1.315 1.630/1.660 1.875/1.900 2.350/2.375 |
| | Conduit Outside mm | 17.5/18.0 26.2/26.7 32.8/33.4 41.4/42.2 47.6/48.3 59.7/60.3 |
| | Length | -3 1.5 inches -4 2.0 inches -6 3.0 inches |

Applies to Profile S only. Length in 1/2 inch increments.



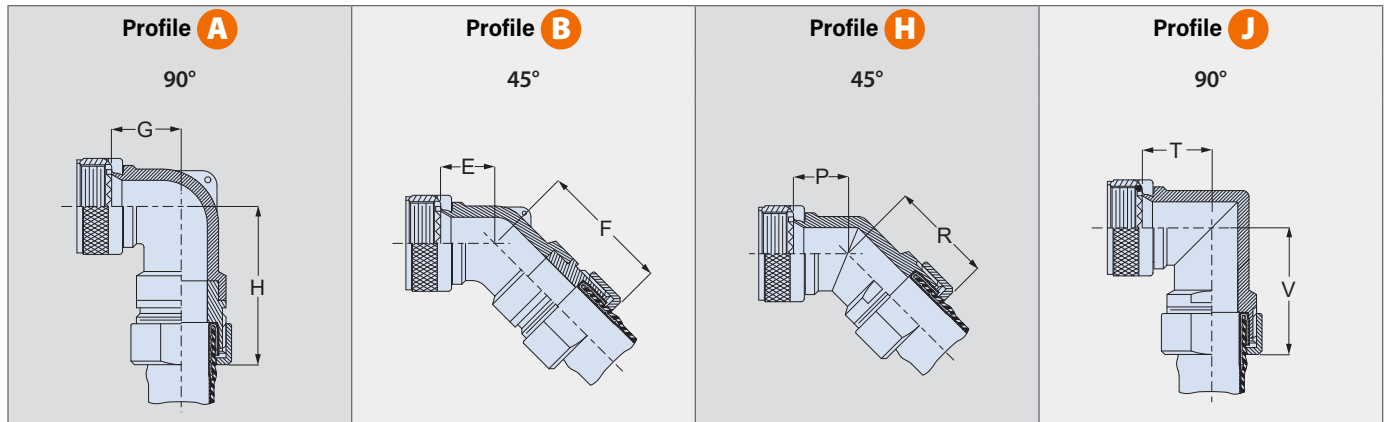
| Shell Size | A Thread | øB Max in | øB Max mm |
|------------|------------|-----------|-----------|
| 9 (A) | M12X1.0-6H | .770 | 19.6 |
| 11 (B) | M15X1.0-6H | .840 | 21.3 |
| 13 (C) | M18X1.0-6H | .960 | 24.4 |
| 15 (D) | M22X1.0-6H | 1.090 | 27.7 |
| 17 (E) | M25X1.0-6H | 1.230 | 31.2 |
| 19 (F) | M28X1.0-6H | 1.360 | 34.5 |
| 21 (G) | M31X1.0-6H | 1.480 | 37.6 |
| 23 (H) | M34X1.0-6H | 1.600 | 40.6 |
| 25 (J) | M37X1.0-6H | 1.720 | 43.7 |

| Size Code | Conduit Trade Size | Conduit | |
|-----------|--------------------|----------|----------|
| | | M Max in | N Max mm |
| 01 | 3/8 | 1155 | 29.3 |
| 02 | 1/2 | 1282 | 32.6 |
| 03 | 3/4 | 1531 | 38.9 |
| 04 | 1 | 1781 | 45.2 |
| 05 | 1 1/4 | 2218 | 56.3 |
| 06 | 1 1/2 | 2468 | 62.7 |
| 07 | 2 | 3031 | 77.0 |

Series 42 LFMC Conduit Adapters

for MIL-DTL-38999 Series III and IV Connectors

420H*001 Adapter for LFMC Liquid-tight Flexible Metal Conduit



| Shell Size | E Max | | F Max | | G Max | | H Max | | P Max | | R Max | | T Max | | V Max | |
|------------|-------|------|-------|------|-------|------|-------|------|-------|------|-------|------|-------|------|-------|------|
| | in | mm | in | mm | in | mm | in | mm | in | mm | in | mm | in | mm | in | mm |
| 9 (A) | .457 | 11.6 | 1.810 | 46.0 | .500 | 12.7 | 1.820 | 46.2 | .726 | 18.4 | 1.406 | 35.7 | .858 | 21.8 | 1.538 | 39.1 |
| 11 (B) | .520 | 13.2 | 1.870 | 47.5 | .595 | 15.1 | 1.940 | 49.3 | .750 | 19.1 | 1.430 | 36.3 | .917 | 23.3 | 1.597 | 40.6 |
| 13 (C) | .582 | 14.8 | 1.930 | 49.0 | .610 | 15.5 | 1.960 | 49.8 | .776 | 19.7 | 1.456 | 37.0 | .979 | 24.9 | 1.659 | 42.1 |
| 15 (D) | .645 | 16.4 | 2.020 | 51.3 | .700 | 17.8 | 2.030 | 51.6 | .796 | 20.2 | 1.479 | 37.6 | 1.036 | 26.3 | 1.716 | 43.6 |
| 17 (E) | .738 | 18.7 | 2.130 | 54.1 | .885 | 22.5 | 2.120 | 53.8 | .825 | 21.0 | 1.505 | 38.2 | 1.099 | 27.9 | 1.779 | 45.2 |
| 19 (F) | .926 | 23.5 | 2.320 | 58.9 | .975 | 24.8 | 2.290 | 58.2 | .845 | 21.5 | 1.525 | 38.7 | 1.147 | 29.1 | 1.826 | 46.4 |
| 21 (G) | .926 | 23.5 | 2.320 | 58.9 | .975 | 24.8 | 2.290 | 58.2 | .873 | 22.2 | 1.553 | 39.4 | 1.215 | 30.9 | 1.895 | 48.1 |
| 23 (H) | 1.020 | 25.9 | 2.470 | 62.7 | 1.125 | 28.6 | 2.400 | 61.0 | .899 | 22.8 | 1.579 | 40.1 | 1.277 | 32.4 | 1.957 | 49.7 |
| 25 (J) | 1.020 | 25.9 | 2.470 | 62.7 | 1.125 | 28.6 | 2.400 | 61.0 | .925 | 23.5 | 1.605 | 40.8 | 1.340 | 34.0 | 2.020 | 51.3 |