

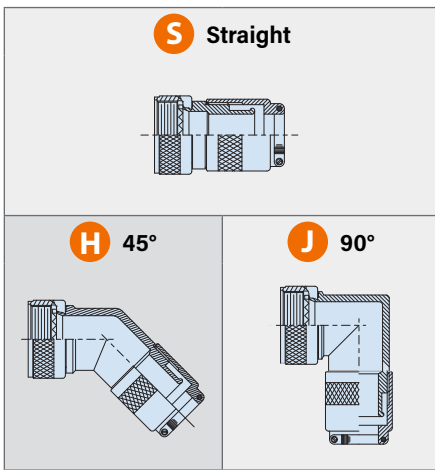
# Series 44 EMI Banding Backshells

for MIL-DTL-38999 Series I and II Connectors

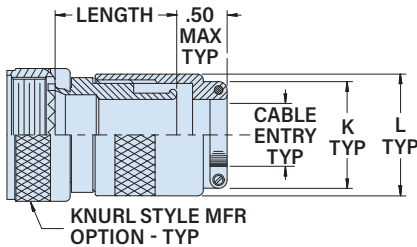
## 440F\*039 EMI/RFI Banding Adapter for Circular Connectors



### PROFILE SELECTION GUIDE



### DIMENSIONS



### PART NUMBER

		<b>440FS039</b>	<b>M</b>	<b>18</b>	<b>04</b>	<b>-5</b>	<b>B</b>
Base P/N	Base Part No. Profile	<b>440FS039</b> <b>S</b> Straight					
		<b>440FH039</b> <b>H</b> 45°					
		<b>440FJ039</b> <b>J</b> 90°					
Finish Symbol	<b>ME</b> Alum/ Electroless Nickel						
	<b>MT</b> Alum/ Nickel-PTFE						
	<b>NF</b> Alum/ Cadmium Olive Drab Over Electroless Nickel						
	<b>ZR</b> Alum/ Zinc Nickel/ Black Over Electroless Nickel						
	<b>TZ</b> Alum/ Tin-Zinc/ Green-Gold Over Electroless Nickel						
	<b>ZI</b> SST/ Passivated						
Shell Size	<b>08 09 10 11 12 14 16 18 20 22 24</b>						
Dash No	<b>01 02 03 04 05 06 07 08 09 10</b> <i>See Table 1</i>						
Length	<b>2</b> 1.0 inch	<i>Applies to Profile <b>S</b> only.</i>					
	<b>3</b> 1.5 inches	<i>If Entry Size is greater than</i>					
	<b>4</b> 2.0 inches	<i>Maximum Entry Size on next page,</i>					
	<b>6</b> 3.0 inches	<i>then 1.5 inch minimum applies.</i>					
Band	<i>Omit if not required</i>						
	<b>B</b> Band Option						
	<b>K</b> Pre-Coiled Band						

### TABLE 1: ENTRY SIZE

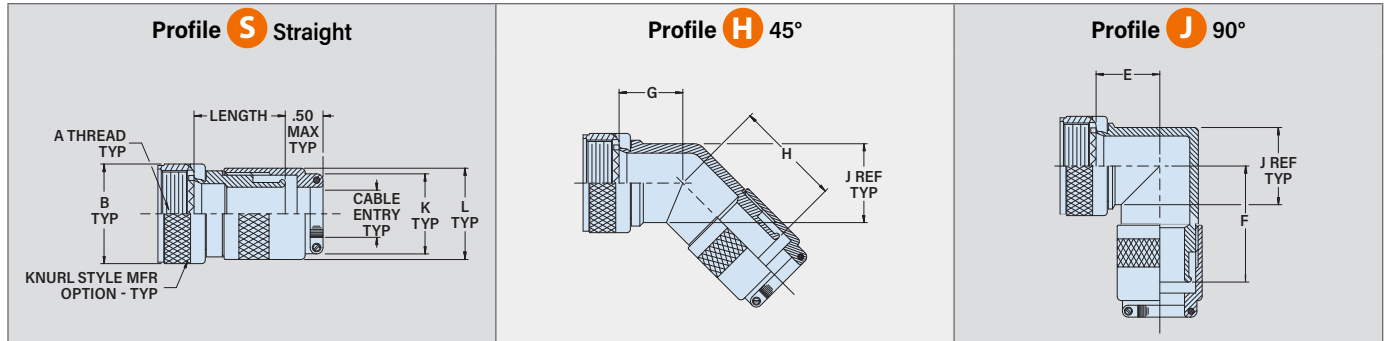
Dash No	K MAX		L MAX		Cable Entry		
	in	mm	in	mm	Min	Max	
<b>01</b>	.843	21.41	.78	19.81	.125	3.18	.250 6.35
<b>02</b>	.968	24.59	.97	24.64	.156	3.96	.375 9.53
<b>03</b>	1.046	26.57	1.05	26.67	.250	6.35	.438 11.13
<b>04</b>	1.156	29.36	1.15	29.21	.280	7.11	.500 12.70
<b>05</b>	1.218	30.94	1.22	30.99	.375	9.53	.625 15.88
<b>06</b>	1.343	34.11	1.34	34.04	.500	12.70	.750 19.05
<b>07</b>	1.468	37.29	1.47	37.34	.625	15.88	.875 22.23
<b>08</b>	1.593	40.46	1.59	40.39	.750	19.05	1.000 25.40
<b>09</b>	1.718	43.64	1.72	43.69	.875	22.23	1.125 28.58
<b>10</b>	1.843	46.81	1.84	46.74	1.000	25.40	1.250 31.75

*\* If selected entry size exceeds the shell size range shown in table, a Style 2 adapter will be included. Refer to Maximum Entry Size on next page for details.*

# Series 44 EMI Banding Backshells

for MIL-DTL-38999 Series I and II Connectors

## 440F\*039 EMI/RFI Banding Adapter for Circular Connectors



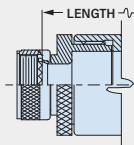
Shell Size F	E MAX		F MAX		G MAX		H MAX		J REF		Max Dash No	
	in	mm	in	mm	in	mm	in	mm	in	mm	A	F, H, L
08	.75	19.05	1.50	38.10	.639	16.23	1.38	35.05	.45	11.43	01	01
10	.81	20.57	1.55	39.37	.664	16.87	1.41	35.81	.58	14.73	02	02
12	.87	22.10	1.61	40.89	.688	17.48	1.43	36.32	.69	17.53	04	04
14	.92	23.37	1.68	42.67	.705	17.91	1.46	37.08	.82	20.83	04	05
16	.98	24.89	1.74	44.20	.732	18.59	1.48	37.59	.94	23.88	05	06
18	1.02	25.91	1.76	44.70	.748	19.00	1.49	37.85	1.03	26.16	06	07
20	1.08	27.43	1.82	46.23	.773	19.63	1.51	38.35	1.16	29.46	07	08
22	1.14	28.96	1.90	48.26	.800	20.32	1.55	39.37	1.28	32.51	08	09
24	1.20	30.48	1.97	50.04	.823	20.90	1.58	40.13	1.41	35.81	09	10
-	1.48	37.59	2.21	56.13	1.041	26.44	1.75	44.45	1.56	39.62	10	-
-	1.61	40.89	2.30	58.42	1.092	27.74	1.79	45.47	1.78	45.21	10	-
-	1.72	43.69	2.41	61.21	1.138	28.91	1.84	46.74	2.00	50.80	10	-
-	1.83	46.48	2.52	64.01	1.184	30.07	1.88	47.75	2.21	56.13	10	-

### MAXIMUM ENTRY SIZE

If the selected entry size exceeds the maximum size in this table, the backshell will have a front adapter. This is called a **Style 2** backshell.

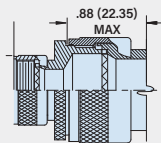
Shell Size			Max Dash No		
A	F, L	H	A	F, H, L	
08	08	09	01	01	
10	10	11	02	02	
12	12	13	04	04	
14	14	15	04	05	
16	16	17	05	06	
18	18	19	06	07	
20	20	21	07	08	
22	22	23	08	09	
24	24	25	09	10	
28	-	-	10	-	
32	-	-	10	-	
36	-	-	10	-	
40	-	-	10	-	

### Style 2 Straight Backshell



Style 2 profile **S** straight backshell minimum length code is 4 (1.5 inches).

### Style 2 45° and 90° Backshells



For 45° and 90° backshells, the front adapter adds 1 inch.

### BAND

Terminate cable braid to EMI backshell with optional banding strap. Stainless steel.



Micro Band



Hand Tool  
601-101

Entry Sizes	Pre-Coiled Band P/N	Length	Max Diameter
02 - 10	601-061	8.13 (206)	.88 (22.4)
10 - 20	601-065	14.25 (362)	1.88 (47.8)