

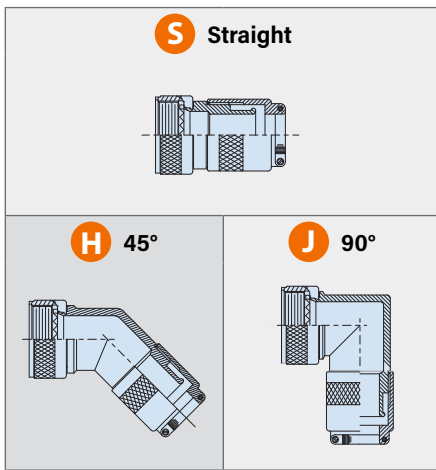
Series 44 EMI Banding Backshells

for MIL-DTL-38999 Series III and IV Connectors

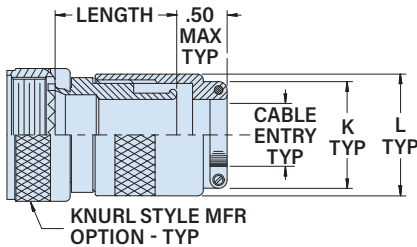
440H*039 EMI/RFI Banding Adapter for Circular Connectors



PROFILE SELECTION GUIDE



DIMENSIONS



PART NUMBER

		440HS039	M	17	04	-5	B
Base P/N	Base Part No. Profile	440HS039 S Straight					
		440HH039 H 45°					
		440HJ039 J 90°					
Finish Symbol	ME Alum/ Electroless Nickel						
	MT Alum/ Nickel-PTFE						
	NF Alum/ Cadmium Olive Drab Over Electroless Nickel						
	ZR Alum/ Zinc Nickel/ Black Over Electroless Nickel						
	TZ Alum/ Tin-Zinc/ Green-Gold Over Electroless Nickel						
	ZI SST/ Passivated						
Shell Size	09 11 13 15 17 19 21 23 25						
Dash No	01 02 03 04 05 06 07 08 09 10 <i>See Table 1</i>						
Length	2	1.0 inch	<i>Applies to Profile S only.</i>				
	3	1.5 inches	<i>If Entry Size is greater than</i>				
	4	2.0 inches	<i>Maximum Entry Size on next page,</i>				
	6	3.0 inches	<i>then 1.5 inch minimum applies.</i>				
Band	<i>Omit if not required</i>						
	B	Band Option					
	K	Pre-Coiled Band					

TABLE 1: ENTRY SIZE

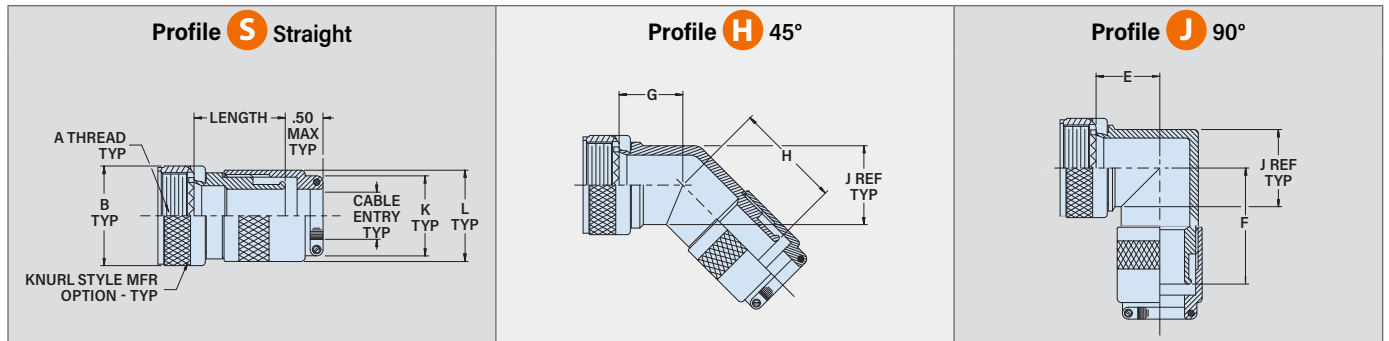
Dash No	K MAX		L MAX		Cable Entry			
	in	mm	in	mm	Min	Max	in	mm
01	.843	21.41	.78	19.81	.125	3.18	.250	6.35
02	.968	24.59	.97	24.64	.156	3.96	.375	9.53
03	1.046	26.57	1.05	26.67	.250	6.35	.438	11.13
04	1.156	29.36	1.15	29.21	.280	7.11	.500	12.70
05	1.218	30.94	1.22	30.99	.375	9.53	.625	15.88
06	1.343	34.11	1.34	34.04	.500	12.70	.750	19.05
07	1.468	37.29	1.47	37.34	.625	15.88	.875	22.23
08	1.593	40.46	1.59	40.39	.750	19.05	1.000	25.40
09	1.718	43.64	1.72	43.69	.875	22.23	1.125	28.58
10	1.843	46.81	1.84	46.74	1.000	25.40	1.250	31.75

** If selected entry size exceeds the shell size range shown in table, a Style 2 adapter will be included. Refer to Maximum Entry Size on next page for details.*

Series 44 EMI Banding Backshells

for MIL-DTL-38999 Series III and IV Connectors

440H*039 EMI/RFI Banding Adapter for Circular Connectors



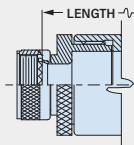
Shell Size H	E MAX		F MAX		G MAX		H MAX		J REF		Max Dash No	
	in	mm	in	mm	in	mm	in	mm	in	mm	A	F, H, L
09	.75	19.05	1.50	38.10	.639	16.23	1.38	35.05	.45	11.43	01	01
11	.81	20.57	1.55	39.37	.664	16.87	1.41	35.81	.58	14.73	02	02
13	.87	22.10	1.61	40.89	.688	17.48	1.43	36.32	.69	17.53	04	04
15	.92	23.37	1.68	42.67	.705	17.91	1.46	37.08	.82	20.83	04	05
17	.98	24.89	1.74	44.20	.732	18.59	1.48	37.59	.94	23.88	05	06
19	1.02	25.91	1.76	44.70	.748	19.00	1.49	37.85	1.03	26.16	06	07
21	1.08	27.43	1.82	46.23	.773	19.63	1.51	38.35	1.16	29.46	07	08
23	1.14	28.96	1.90	48.26	.800	20.32	1.55	39.37	1.28	32.51	08	09
25	1.20	30.48	1.97	50.04	.823	20.90	1.58	40.13	1.41	35.81	09	10
-	1.48	37.59	2.21	56.13	1.041	26.44	1.75	44.45	1.56	39.62	10	-
-	1.61	40.89	2.30	58.42	1.092	27.74	1.79	45.47	1.78	45.21	10	-
-	1.72	43.69	2.41	61.21	1.138	28.91	1.84	46.74	2.00	50.80	10	-
-	1.83	46.48	2.52	64.01	1.184	30.07	1.88	47.75	2.21	56.13	10	-

MAXIMUM ENTRY SIZE

If the selected entry size exceeds the maximum size in this table, the backshell will have a front adapter. This is called a **Style 2** backshell.

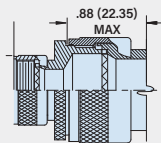
Shell Size			Max Dash No		
A	F, L	H	A	F, H, L	
08	08	09	01	01	
10	10	11	02	02	
12	12	13	04	04	
14	14	15	04	05	
16	16	17	05	06	
18	18	19	06	07	
20	20	21	07	08	
22	22	23	08	09	
24	24	25	09	10	
28	-	-	10	-	
32	-	-	10	-	
36	-	-	10	-	
40	-	-	10	-	

Style 2 Straight Backshell



Style 2 profile **S** straight backshell minimum length code is 4 (1.5 inches).

Style 2 45° and 90° Backshells



For 45° and 90° backshells, the front adapter adds 1 inch.

BAND

Terminate cable braid to EMI backshell with optional banding strap. Stainless steel.



Micro Band



Hand Tool 601-101

Entry Sizes	Pre-Coiled Band P/N	Length	Max Diameter
02 - 10	601-061	8.13 (206)	.88 (22.4)
10 - 20	601-065	14.25 (362)	1.88 (47.8)