



# Series 44 Banding Backshells

for MIL-DTL-38999 Series III and IV Connectors

## 440H\*072 Banding Backshell, Dual Band

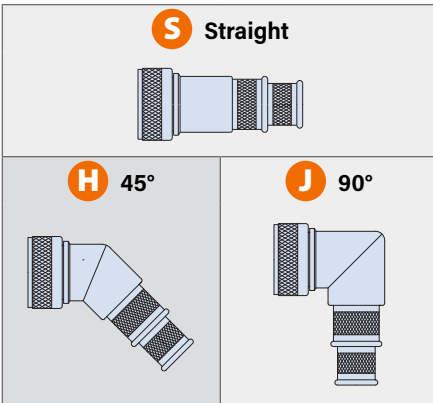


**Self-Locking**

**Adapter Code H**

This accessory fits these connectors:  
MIL-DTL-38999 Series III and Series IV

### PROFILE SELECTION GUIDE



**TABLE 1: ENTRY SIZE**

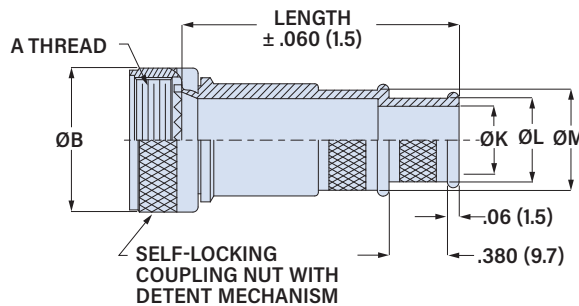
| Entry Size | Shell Sizes* | øK            |               | øL            |               | øM            |               |
|------------|--------------|---------------|---------------|---------------|---------------|---------------|---------------|
|            |              | ±.015(0.4) in | ±.015(0.4) mm | ±.015(0.4) in | ±.015(0.4) mm | ±.015(0.4) in | ±.015(0.4) mm |
| 02         | 08-24        | .125          | 3.2           | .250          | 6.4           | .312          | 7.9           |
| 03         | 08-24        | .188          | 4.8           | .312          | 7.9           | .375          | 9.5           |
| 04         | 08-24        | .250          | 6.4           | .375          | 9.5           | .438          | 11.1          |
| 05         | 10-24        | .312          | 7.9           | .438          | 11.1          | .500          | 12.7          |
| 06         | 10-24        | .375          | 9.5           | .500          | 12.7          | .562          | 14.3          |
| 07         | 12-24        | .438          | 11.1          | .562          | 14.3          | .625          | 15.9          |
| 08         | 12-24        | .500          | 12.7          | .625          | 15.9          | .688          | 17.5          |
| 09         | 14-24        | .562          | 14.3          | .688          | 17.5          | .750          | 19.1          |
| 10         | 14-24        | .625          | 15.9          | .750          | 19.1          | .812          | 20.6          |
| 11         | 16-24        | .688          | 17.5          | .812          | 20.6          | .875          | 22.2          |
| 12         | 16-24        | .750          | 19.1          | .875          | 22.2          | .938          | 23.8          |
| 13         | 18-24        | .812          | 20.6          | .938          | 23.8          | 1.000         | 25.4          |
| 14         | 20-24        | .875          | 22.2          | 1.000         | 25.4          | 1.062         | 27.0          |
| 15         | 20-24        | .938          | 23.8          | 1.062         | 27.0          | 1.125         | 28.6          |
| 16         | 22-24        | 1.000         | 25.4          | 1.125         | 28.6          | 1.188         | 30.2          |
| 17         | 22-24        | 1.062         | 27.0          | 1.188         | 30.2          | 1.250         | 31.8          |
| 18         | 24           | 1.125         | 28.6          | 1.250         | 31.8          | 1.312         | 33.3          |
| 20         | -            | 1.250         | 31.8          | 1.375         | 34.9          | 1.438         | 36.5          |
| 22         | -            | 1.375         | 34.9          | 1.500         | 38.1          | 1.562         | 39.7          |
| 24         | -            | 1.500         | 38.1          | 1.625         | 41.3          | 1.688         | 42.9          |

\* If selected entry size exceeds shell size range, a Style 2 transition adapter will be included. See Maximum Entry Size for details.

**Self-Locking. Two banding platforms.** 440H\*072 banding backshell fits MIL-DTL-38999 Series III and IV connectors. Anti-decoupling mechanism provides audible detented coupling and prevents backoff under high vibration. Terminate cable braid shield to backshell with optional band strap. Optional shrink boot adds strain relief and environmental protection. Aluminum version has thermoplastic detent spring, stainless steel version has stainless steel detent spring.

### PART NUMBER

|                 |   |   |           |           |            |           |           |           |           |           |
|-----------------|---|---|-----------|-----------|------------|-----------|-----------|-----------|-----------|-----------|
|                 |   | <b>440HS072</b>   | <b>ZI</b> | <b>19</b> | <b>06-</b> | <b>4</b>  | <b>K</b>  | <b>P</b>  |           |           |
| Base P/N        | Base Part No.   | Profile   |           |           |            |           |           |           |           |           |
|                 | <b>440HS072</b>   | <b>S</b> Straight   |           |           |            |           |           |           |           |           |
|                 | <b>440HH072</b>   | <b>H</b> 45°  |           |           |            |           |           |           |           |           |
|                 | <b>440HJ072</b>   | <b>J</b> 90°  |           |           |            |           |           |           |           |           |
| Material/Finish | <b>M</b> Alum/ Electroless Nickel                               |   |           |           |            |           |           |           |           |           |
|                 | <b>MT</b> Alum/ Nickel-PTFE                                     |   |           |           |            |           |           |           |           |           |
|                 | <b>NF</b> Alum/ Olive Drab Cadmium                              |   |           |           |            |           |           |           |           |           |
|                 | <b>ZR</b> Alum/ Black Zinc-Nickel                               |   |           |           |            |           |           |           |           |           |
|                 | <b>TZ</b> Alum/ Tin-Zinc  |   |           |           |            |           |           |           |           |           |
|                 | <b>ZI</b> SST/ Passivated                                       |   |           |           |            |           |           |           |           |           |
| Shell Size      | Shell Size  | 9   | 11        | 13        | 15         | 17        | 19        | 21        | 23        | 25        |
|                 | Size Code   | <b>09</b>   | <b>11</b> | <b>13</b> | <b>15</b>  | <b>17</b> | <b>19</b> | <b>21</b> | <b>23</b> | <b>25</b> |
| Entry Size      | See Table 1   |   |           |           |            |           |           |           |           |           |
|                 |   | Applies to Profile <b>S</b> only.<br>If Entry Size is greater than "Maximum Entry Size" (see table), then 2 inch minimum applies. |           |           |            |           |           |           |           |           |
| Length          | <b>3</b>  | 1.5 inches  |           |           |            |           |           |           |           |           |
|                 | <b>4</b>  | 2.0 inches  |           |           |            |           |           |           |           |           |
|                 | <b>5</b>  | 2.5 inches  |           |           |            |           |           |           |           |           |
|                 | <b>6</b>  | 3.0 inches  |           |           |            |           |           |           |           |           |
| Band            | Omit if not required  |   |           |           |            |           |           |           |           |           |
|                 | <b>K</b>  | Pre-Coiled Bands Included With Backshell (qty. 2)   |           |           |            |           |           |           |           |           |
| Polysulfide     | Omit if not required. Applies to Plating Codes NF, ZR, TZ only. |   |           |           |            |           |           |           |           |           |
|                 | <b>P</b>  | Nickel Plated Shield Termination Area with Polysulfide Barrier  |           |           |            |           |           |           |           |           |

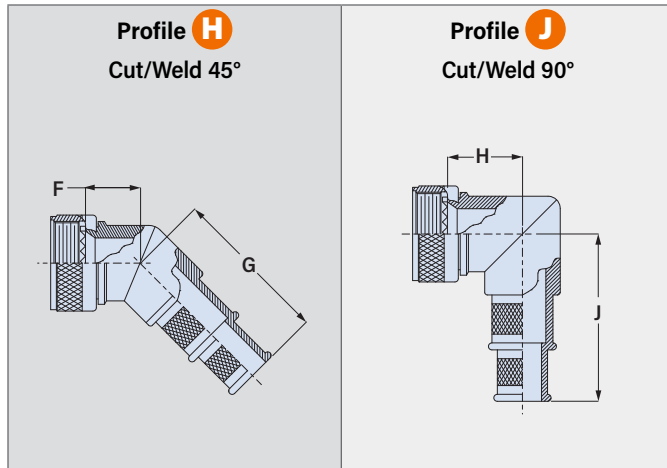


| Shell Size | A Thread   | øB Max |      |
|------------|------------|--------|------|
|            |            | in     | mm   |
| 9 (A)      | M12X1.0-6H | .94    | 24.8 |
| 11 (B)     | M15X1.0-6H | 1.06   | 26.9 |
| 13 (C)     | M18X1.0-6H | 1.17   | 29.7 |
| 15 (D)     | M22X1.0-6H | 1.29   | 32.7 |
| 17 (E)     | M25X1.0-6H | 1.42   | 36.1 |
| 19 (F)     | M28X1.0-6H | 1.54   | 39.1 |
| 21 (G)     | M31X1.0-6H | 1.67   | 42.4 |
| 23 (H)     | M34X1.0-6H | 2.01   | 51.1 |
| 25 (J)     | M37X1.0-6H | 2.12   | 53.8 |

# Series 44 Banding Backshells

for MIL-DTL-38999 Series III and IV Connectors

## 440H\*072 Banding Backshell, Dual Band



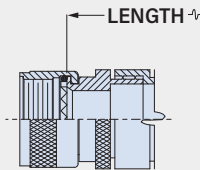
| Shell Size | F Max. |      | G Max. |      | H Max. |      | J Max. |      |
|------------|--------|------|--------|------|--------|------|--------|------|
|            | in     | mm   | in     | mm   | in     | mm   | in     | mm   |
| 9 (A)      | .795   | 20.2 | 1.328  | 33.7 | .906   | 23.0 | 1.438  | 36.5 |
| 11 (B)     | .820   | 20.8 | 1.358  | 34.4 | .966   | 24.5 | 1.498  | 38.0 |
| 13 (C)     | .844   | 21.4 | 1.378  | 35.0 | 1.026  | 26.1 | 1.558  | 39.6 |
| 15 (D)     | .861   | 21.9 | 1.408  | 35.8 | 1.076  | 27.3 | 1.628  | 41.4 |
| 17 (E)     | .888   | 22.6 | 1.428  | 36.3 | 1.136  | 28.9 | 1.688  | 42.9 |
| 19 (F)     | .904   | 23.0 | 1.458  | 37.0 | 1.176  | 29.9 | 1.708  | 43.4 |
| 21 (G)     | .929   | 23.6 | 1.458  | 37.0 | 1.236  | 31.4 | 1.768  | 44.9 |
| 23 (H)     | .956   | 24.3 | 1.498  | 38.0 | 1.296  | 32.9 | 1.848  | 46.9 |
| 25 (J)     | .979   | 24.9 | 1.528  | 38.8 | 1.356  | 34.4 | 1.918  | 48.7 |

### MAXIMUM ENTRY SIZE

If the selected entry size exceeds the maximum size in this table, the backshell will have a front adapter. This is called a **Style 2** backshell.

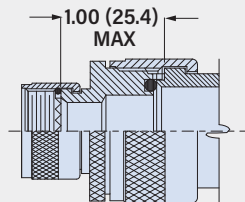
| Shell Size | Max. Entry Size | Shell Size | Max. Entry Size |
|------------|-----------------|------------|-----------------|
| 9(A)       | <b>04</b>       | 19(F)      | <b>14</b>       |
| 11(B)      | <b>06</b>       | 21(G)      | <b>16</b>       |
| 13(C)      | <b>08</b>       | 23(H)      | <b>18</b>       |
| 15(D)      | <b>10</b>       | 25(J)      | <b>20</b>       |
| 17(E)      | <b>12</b>       |            |                 |

### Style 2 Straight Backshell



For Style 2 straight backshells, the minimum length code increases from 3 (1 1/2 inches) to 4 (2 inches).

### Style 2 45° and 90° Backshells



For Style 2 45° and 90° backshells, the length increases by one inch.

### BAND

Optional SST band strap provides fast, cost-effective and highly reliable termination of braided metallic shielding. The Band-Master ATS® Advanced Cable Shield Termination System is the overwhelming favorite throughout the military aerospace and defense industries, providing excellent static loading and corrosion resistance in electrical wire interconnect systems.



### POLYSULFIDE

Optional selective nickel plating on banding surfaces prevents galvanic mismatch between nickel-coated braid shield and backshell plating. Polysulfide stripes provide dielectric barriers.

Plating codes NF, ZR and TZ only

